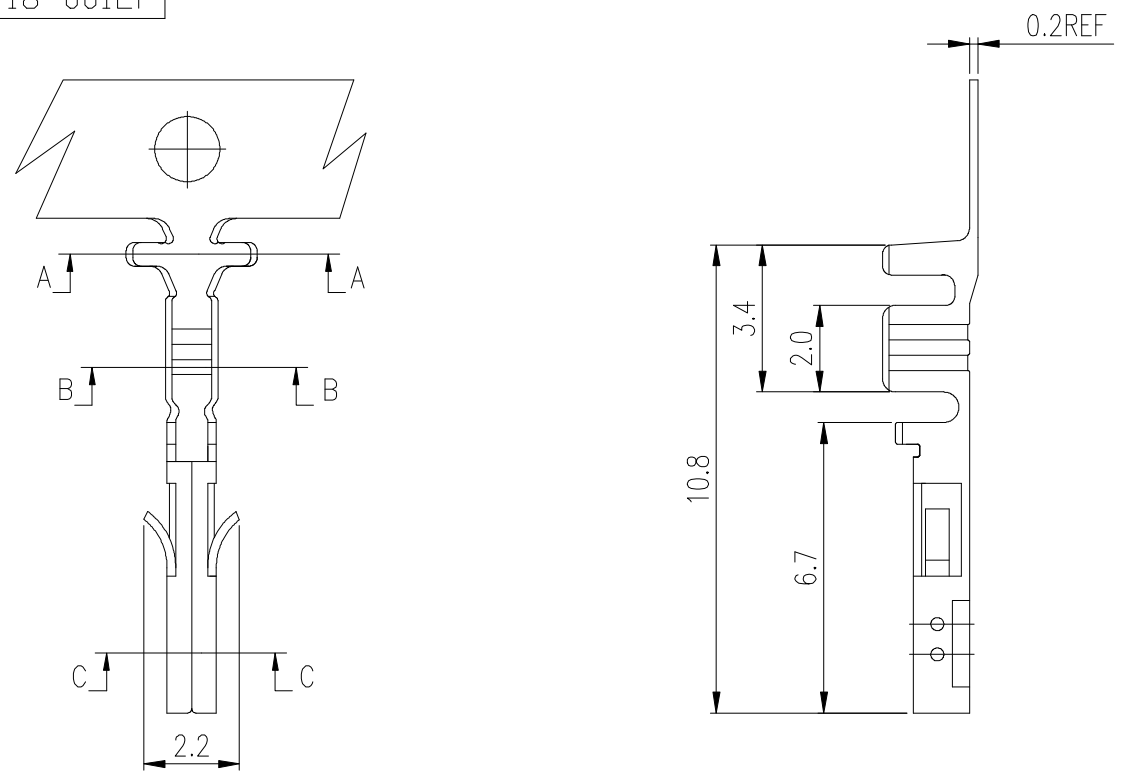
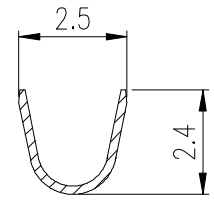


PRODUCT NUMBER  
10127718-001LF

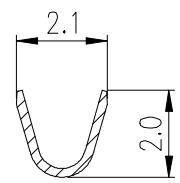


- NOTES:
- MATERIAL:  
TERMINAL: PHBR
  - FINISH:  
MIN. 30u" NICKEL OVERALL UNDERPLATING.  
OPTIONAL PLATING ON CONTACT AREA.
  - PLATE TYPE: PRE-TIN PLATED.
  - TERMINAL Q'ty/REEL: 10,000PCS.
  - APPLICABLE WIRES: AWG#30~#20, INSULATOR O.D:  
1.27~1.85mm.
  - THIS TERMINAL IS USED WITH FCI RECEPTACLE HSG  
10127716.
  - PRODUCT SPECIFICATION: GS-12-1177.
  - PACKAGE SPECIFICATION: GS-14-2359.
  - PRODUCT NUMBER SCHEME:  
10127718-00XLF

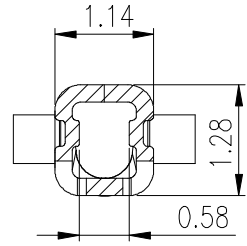
PLATING CODE  
1: 80u" TIN OVERALL  
2: Gold Flash



SEC A-A



SEC B-B



SEC C-C  
SCALE 2:1

mat'l. code				surface		tolerance	projection	product family	
ltr	ecn no	dr	date	tolerances unless otherwise specified				title	
A		TAI	2013-10-21	angles	X.X ±0.4		MM	RECEPTACLE CRIMP TERMINAL FOR	
B	ELX-T-17032	TAI	2014-02-25	circle	X.XX ±0.30			3mm PITCH WIRE CONNECTOR	
				X*±2°			scale		
				dr	KENNY TAI	2013-10-21		dwg no	
				enr	KENNY TAI	2013-10-21		sheet 1 of 1	
				chr	KENNY TAI	2013-10-21		size	
				appd	PM ZHENG	2013-11-06		A4	
sheet index		revision	B					type	
		sheet	1					CUSTOMER Drawing	

