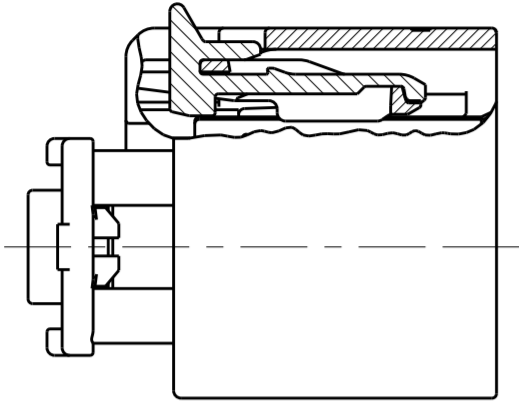
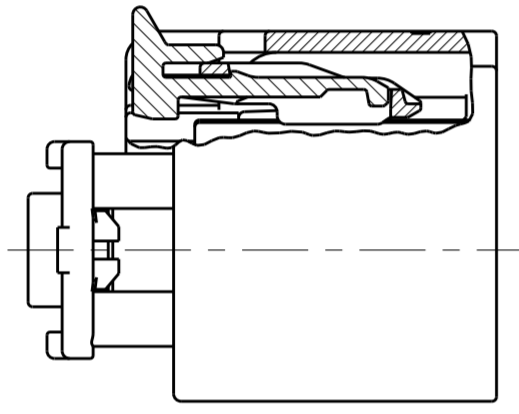


THIS DRAWING IS UNPUBLISHED. RELEASED FOR PUBLICATION 20  
 © COPYRIGHT 20 BY - ALL RIGHTS RESERVED.

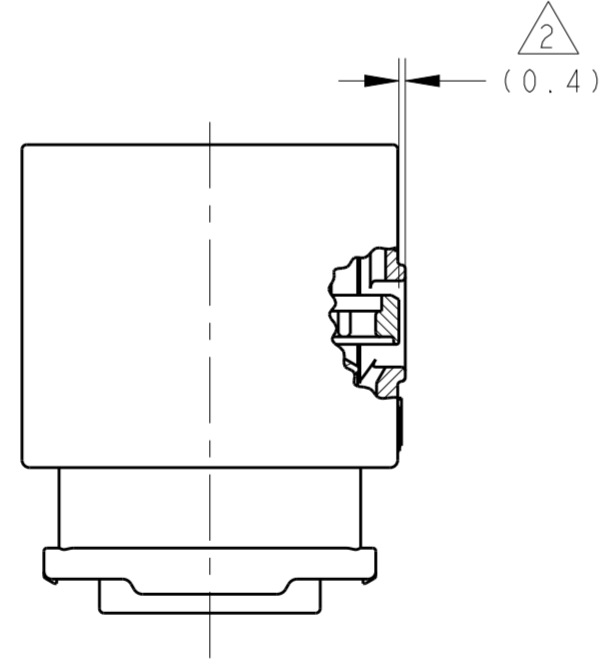
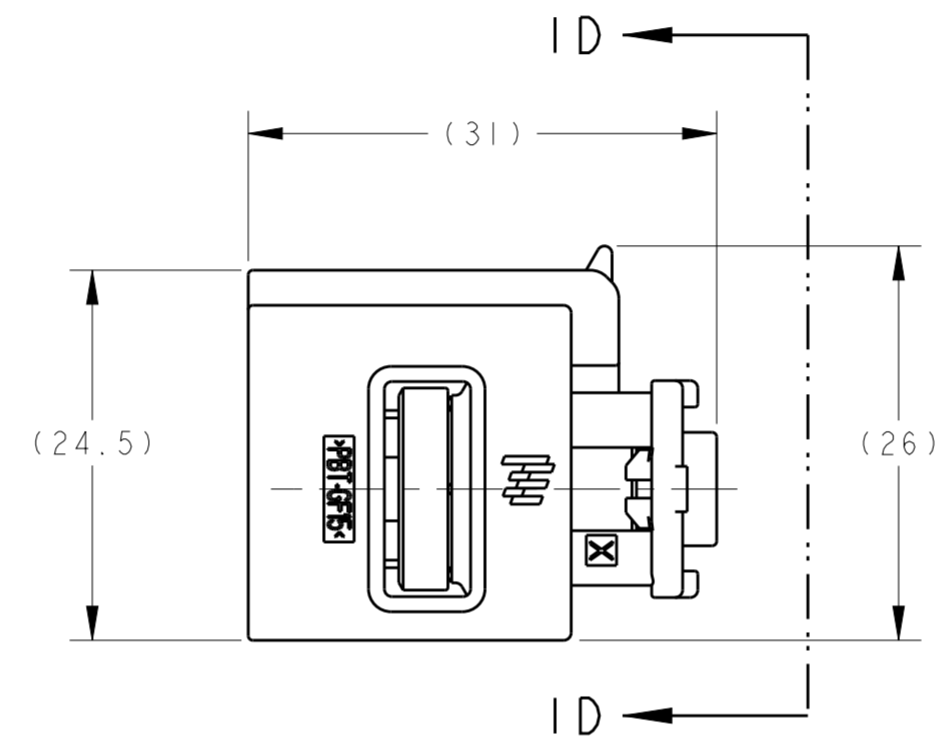
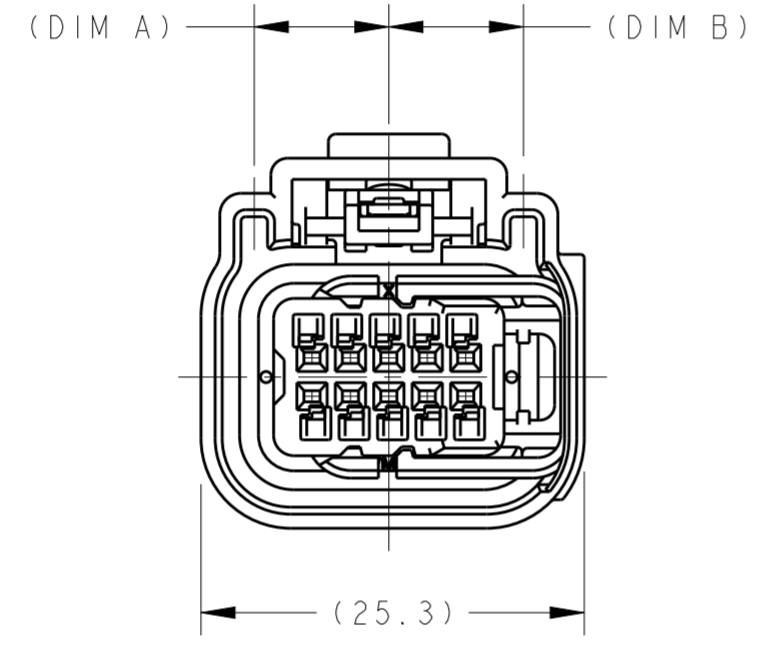
REVISIONS					
P	LTR	DESCRIPTION	DATE	DWN	APVD
B6		REVISED PER ECO-16-000785	19JAN2016	DLD	CJS
B7		REVISED PER ECO-16-017255	02DEC2016	DLD	CJS
B8		REVISED PER ECO-16-018176	19DEC2016	DLD	CJS



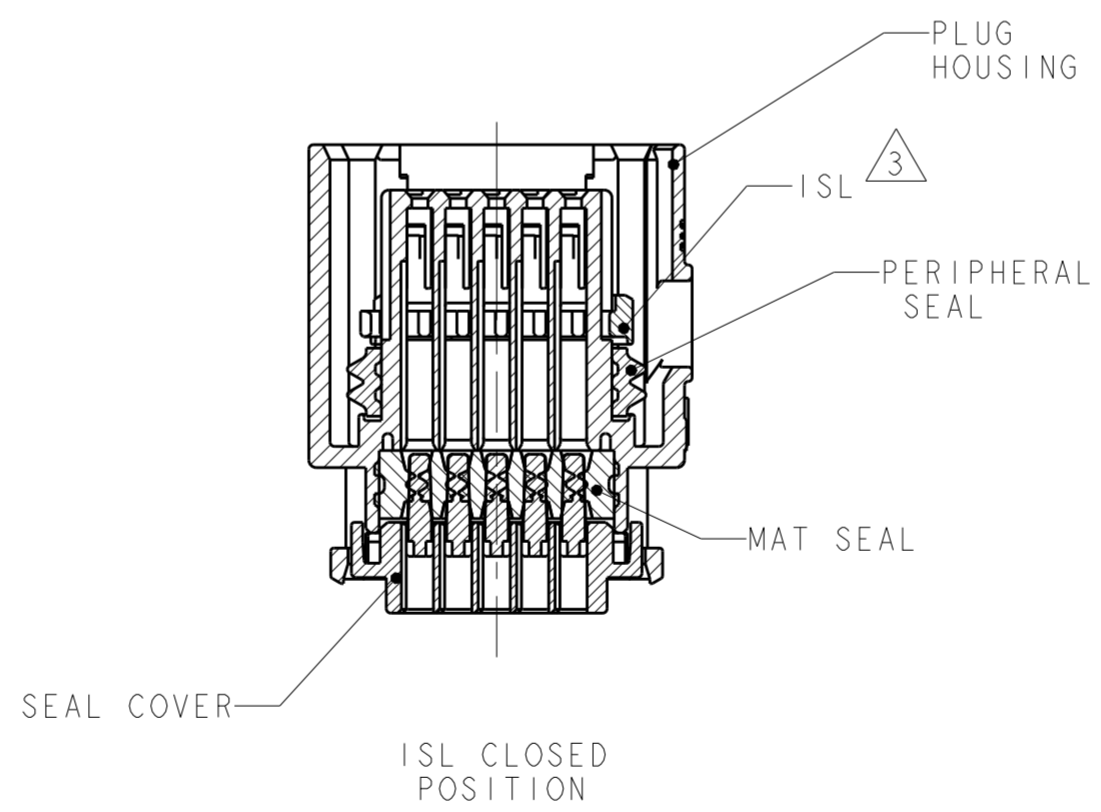
CPA CLOSED POSITION <sup>3</sup>



CPA PRE-LATCHED POSITION <sup>2</sup>



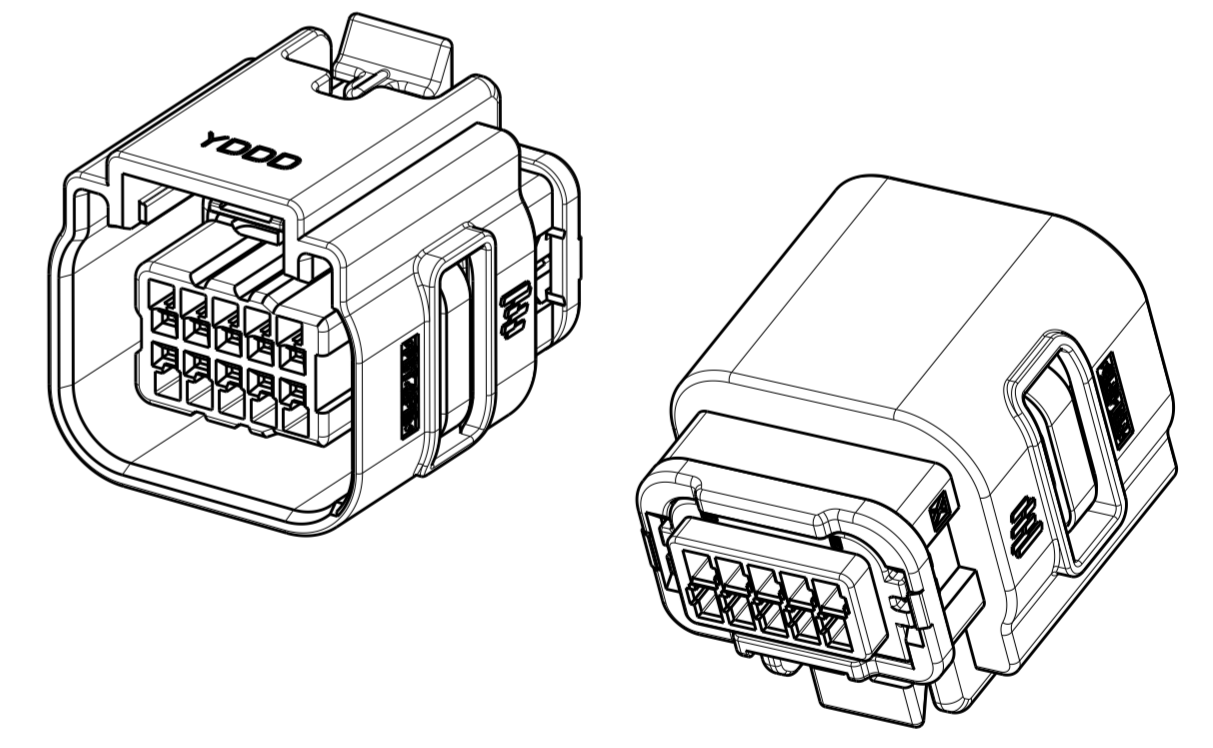
ISL PRE-LATCHED POSITION



ISL CLOSED POSITION

- <sup>1</sup> PLUG HOUSING: PBT, 15% GLASS-FILLED, COLOR: SEE TABLE  
 PERIPHERAL SEAL: SILICONE, GREEN  
 MAT SEAL: SILICONE, BLUE  
 SEAL COVER: NYLON 6/6, 15% GLASS-FILLED, BLACK  
 ISL: NYLON 6/6, 35% GLASS-FILLED, NATURAL  
 CPA: PBT, 33% GLASS-FILLED, GRAY

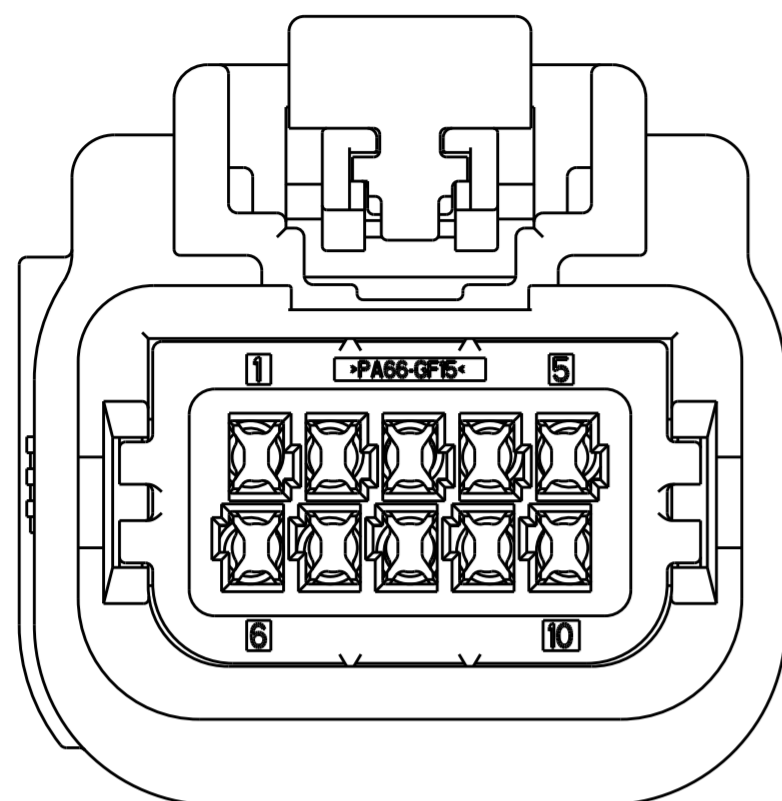
- <sup>2</sup> OPTIONAL CPA & ISL SHOWN IN PRE-LATCHED, AS SHIPPED, POSITION.
- <sup>3</sup> OPTIONAL CPA & ISL SHOWN IN CLOSED POSITION.
- 4. PLUG ASSEMBLY MATES WITH USCAR INTERFACE DRAWING 064-S-010-2-Z01.
- 5. PLUG ASSEMBLY WILL ACCEPT THE FOLLOWING TERMINAL PART NUMBERS: 2035170-1, 2035170-2
- <sup>6</sup> PART NUMBERS MARKED AS PRELIMINARY HAVE NOT BEEN RELEASED PER FORMAL QUALIFICATIONS.
- 7. REFERENCE INSTRUCTION SHEET 408-10350 FOR ASSEMBLY INSTRUCTIONS.



SEE SHEET 2 FOR PART NUMBERS AND CIRCUIT CONFIGURATIONS

THIS DRAWING IS A CONTROLLED DOCUMENT.		DWN S. VINAY 25MAR2009	TE Connectivity	
DIMENSIONS: mm		CHK MD BROWN 14APR2009		
TOLERANCES UNLESS OTHERWISE SPECIFIED:		APVD MD BROWN 14APR2009	NAME	
0 PLC ±-	1 PLC ±0.3	PRODUCT SPEC	PLUG ASSEMBLY, 10 POSITION (2x5), SEALED, GENERATION Y	
2 PLC ±0.1	3 PLC ±-	APPLICATION SPEC	SIZE	CAGE CODE
4 PLC ±-	ANGLES ±1°	FINISH	A200779	G-2098269
MATERIAL		WEIGHT	DRAWING NO	
			RESTRICTED TO	
		CUSTOMER DRAWING	SCALE 2:1	SHEET 1 OF 2
			REV B8	

REVISIONS					
P	LTR	DESCRIPTION	DATE	DWN	APVD
-	-	SEE SHEET 1	-	-	-



VIEW ID-ID  
SCALE 4:1

		1 2 3 4 5 X X X X X 6 7 8 9 10 X X X X X	C13
		1 2 3 4 5 X X X X X 6 7 8 9 10 X X X X X	C12
		1 2 3 4 5 X X X X X 6 7 8 9 10 X X X X X	C11
		1 2 3 4 5 X X X X X 6 7 8 9 10 X X X X X	C10
		1 2 3 4 5 X X X X X 6 7 8 9 10 X X X X X	C9
		1 2 3 4 5 X X X X X 6 7 8 9 10 X X X X X	C8
		1 2 3 4 5 X X X X X 6 7 8 9 10 X X X X X	C7
		1 2 3 4 5 X X X X X 6 7 8 9 10 X X X X X	C6
		1 2 3 4 5 X X X X X 6 7 8 9 10 X X X X X	C5
		1 2 3 4 5 X X X X X 6 7 8 9 10 X X X X X	C4
		1 2 3 4 5 X X X X X 6 7 8 9 10 X X X X X	C3
		1 2 3 4 5 X X X X X 6 7 8 9 10 X X X X X	C2
		1 2 3 4 5 X X X X X 6 7 8 9 10 X X X X X	C1

CIRCUIT CONFIGURATION

X INDICATES UNAVAILABLE (BLOCKED) CIRCUIT

GRAY	RELEASED	C8	YES	B	4-2098269-8
GREEN	RELEASED	C13	YES	D	4-2098269-7
BLACK	RELEASED	C12	YES	A	4-2098269-6
BLACK	RELEASED	C11	YES	A	4-2098269-5
BLACK	RELEASED	C10	YES	A	4-2098269-4
BLACK	RELEASED	C9	YES	A	4-2098269-3
BLACK	RELEASED	C8	YES	A	4-2098269-2
BLACK	RELEASED	C7	YES	A	4-2098269-1
BROWN	RELEASED	C6	YES	C	4-2098269-0
GRAY	RELEASED	C6	YES	B	3-2098269-9
BLACK	RELEASED	C5	YES	A	3-2098269-8
BLACK	RELEASED	C4	YES	A	3-2098269-7
BLACK	RELEASED	C3	YES	A	3-2098269-6
BLACK	RELEASED	C2	YES	A	3-2098269-5
GREEN	PRELIMINARY	C1	YES	D	3-2098269-4
BROWN	RELEASED	C1	YES	C	3-2098269-3
GRAY	RELEASED	C1	YES	B	3-2098269-2
BLACK	RELEASED	C1	YES	A	3-2098269-1
BLACK	RELEASED	C2	NO	A	2098269-5
GREEN	PRELIMINARY	C1	NO	D	2098269-4
BROWN	PRELIMINARY	C1	NO	C	2098269-3
GRAY	PRELIMINARY	C1	NO	B	2098269-2
BLACK	RELEASED	C1	NO	A	2098269-1
COLOR	AVAILABILITY	CIRCUIT CONFIGURATION	OPTIONAL CPA	KEYING OPTION	PART NUMBER

6.6	6.6	D
6.6	8.9	C
8.9	6.6	B
8.9	8.9	A
DIM B	DIM A	KEYING OPTION

THIS DRAWING IS A CONTROLLED DOCUMENT.

DWN S. VINAY 25MAR2009  
 CHK MD BROWN 14APR2009  
 APVD MD BROWN 14APR2009

**STE** TE Connectivity

PLUG ASSEMBLY, 10 POSITION (2x5), SEALED, GENERATION Y

SIZE A2 CAGE CODE 00779 DRAWING NO. C-2098269 RESTRICTED TO

MATERIAL - FINISH - WEIGHT - CUSTOMER DRAWING SCALE 2:1 SHEET 2 OF 2 REV B8