

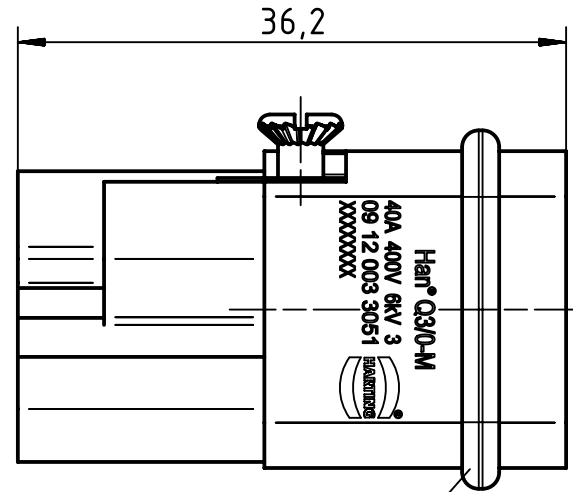
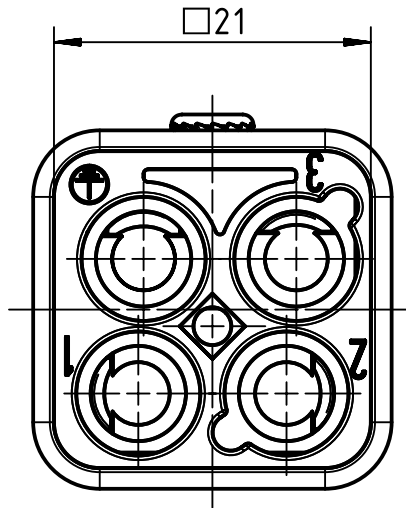
1 2 3 4 5 6

A

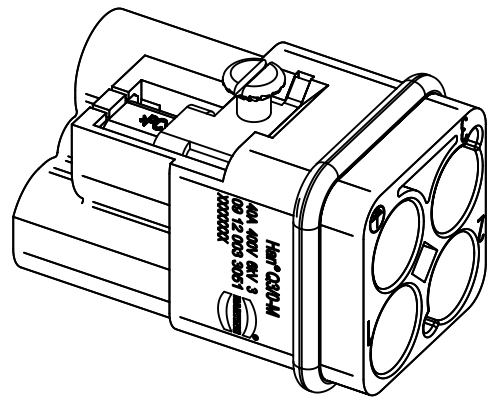
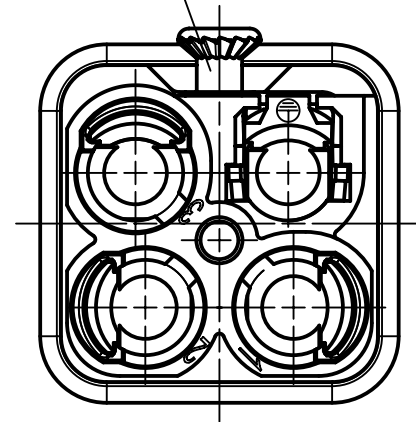
B

C

D



Insert fixing screw
separately enclosed



stripping length 10 mm² (AWG 8) = 12 mm

	All Dimensions in mm Original Size DIN A4		Scale 2:1	Free size tol.		Ref.
						Sub.
	All rights reserved Department EL PD - DE		Created by HOLLERT	Inspected by SCHNIEDER	Standardisation TIEMANNA	Date 2014-10-27
						State Final Release
HARTING Electric GmbH & Co. KG D-32339 Espelkamp			Title Han Q3/0 -M- Crimp			Doc-Key / ECM-Nr. 100221450/UGD/002/D 500000081124
			Type TB	Number 09 12 003 3051		Rev. D Page 1/1