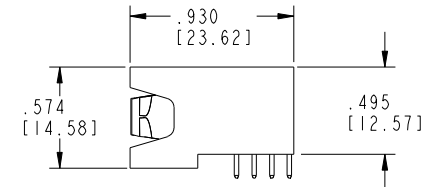
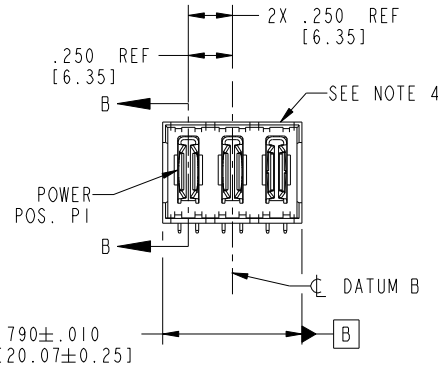


Tous droits strictement reserves. Reproduction ou communication a des tiers interdite sous quelque forme que ce soit sans autorisation écrite du propriétaire. Propriete de c FCI. Droits de reproduction FCI.



All rights strictly reserved. Reproduction or issue to third parties in any form whatever is not permitted without written authority from the proprietor. Property of FCI. Copyright FCI.

PRODUCT NO. 51939-048__ NOTE: 3	POWER		
	P1	P2	P3
	PA	PA	PS



CODE	DIM "M" MATING LENGTH	CONTACT TYPE	TYPE
PA	N/A [N/A]	POWER	LONG WIPE
PS	N/A [N/A]	POWER	SHORT WIPE

mat'l code		SEE NOTE 2		tolerances unless otherwise specified		CUSTOMER		FCI		www.fciconnect.com	
ltr	ecn no.	dr	date	linear	.XX±.01/0.X±0.3	COPY		projection		title	
A	V03-0212	MEM	2/24/03		.XXX±.005/0.XX±0.13	INCH/MM		1:1		3P	
B	V03-0875	TAB	8/08/03	angles	.XXX±.0020/0.XXX±0.051	scale		A		RIGHT ANGLE SOLDER HEADER	
C	DG06-0008	JMG	01/09/06		0°±2°	1:1		product family		PwrBlade	
D	DG08-0273	WD	12/30/08	dr	M. MOSTOLLER 2/24/03	size		dwg no		code	
				enrg	M. MOSTOLLER 2/24/03	A		51939-048		213	
				chr	H. BREWBAKER 2/24/03					sheet	
				appd	M. MOSTOLLER 2/24/03					1 of 4	
sheet index	revision sheet	D	D	D	D					cage code	
		1	2	3	4					22526	

1 | 2 | 3 | 4

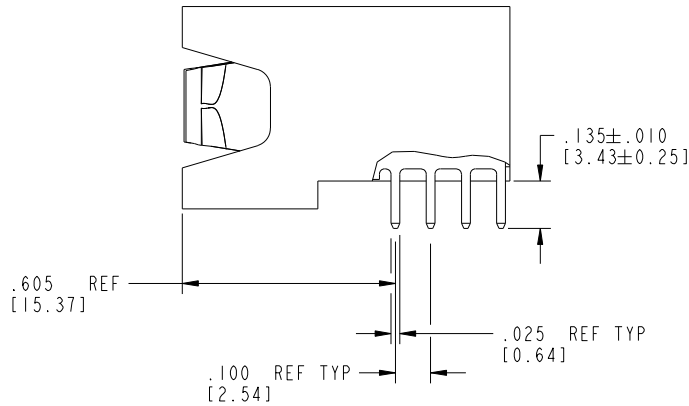
1 | 2 | Pro/E | 3 | cage code 22526 | 4

Tous droits strictement reserves. Reproduction ou communication a des tiers interdite sous quelque forme que ce soit sans autorisation écrite du propriétaire. Propriete de c FCI. Droits de reproduction FCI.



All rights strictly reserved. Reproduction or issue to third parties in any form whatsoever is not permitted without written authority from the proprietor. Property of FCI. Copyright FCI.

PRODUCT NUMBER
51939-048__
NOTE: 3



BROKEN-OUT SECTION B-B
SCALE 2:1

mat'l code				SEE NOTE 2		tolerances unless otherwise specified		CUSTOMER		FCI		www.fciconnect.com	
ltr	ecn no.	dr	date	linear	.XX±.01/0.X±0.3		COPY		projection	title			
D					.XXX±.005/0.XX±0.13		INCH/MM			3P			
					.XXX±.0020/0.XXX±0.051		1:1			RIGHT ANGLE SOLDER HEADER			
				angles	0°±2°		scale		product family		code		
				dr	M. MOSTOLLER 2/24/03		A		PwrBlade		213		
				enr	M. MOSTOLLER 2/24/03		size		dwg no		sheet		
				chr	H. BREWBAKER 2/24/03		1:1		51939-048		2 of 4		
				appd	M. MOSTOLLER 2/24/03								
sheet index		revision sheet											

cage code 22526

Pro/E

Tous droits strictement reserves. Reproduction ou communication a des tiers interdite sous quelque forme que ce soit sans autorisation écrite du propriétaire. Propriete de c FCI. Droits de reproduction FCI.



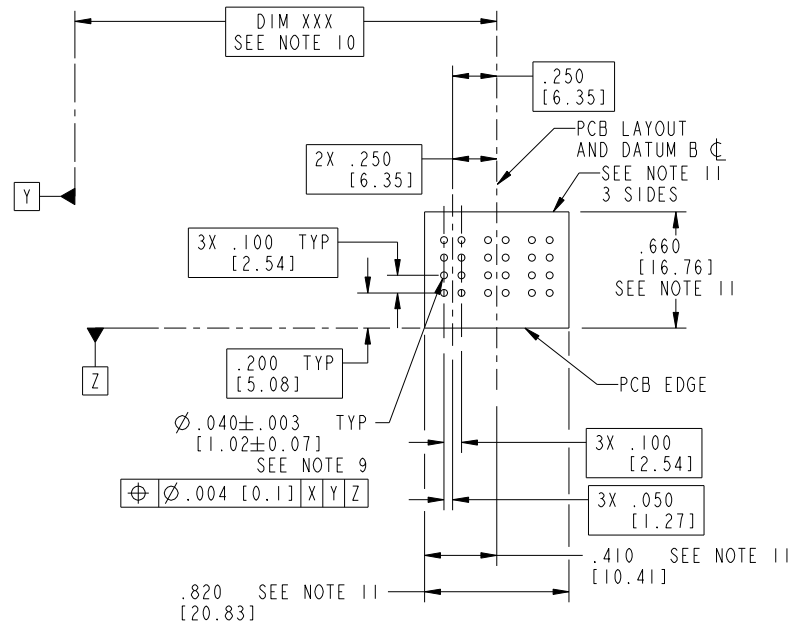
All rights strictly reserved. Reproduction or issue to third parties in any form whatever is not permitted without written authority from the proprietor. Property of FCI. Copyright FCI.

PRODUCT NUMBER
51939-048__
NOTE: 3

1 | 2

3 |

4



RECOMMENDED PCB LAYOUT

mat'l code		SEE NOTE 2		tolerances unless otherwise specified		CUSTOMER		 www.fciconnect.com	
ltr	ecn no.	dr	date	linear	.XX±.01/0.X±0.3	COPY		title	
D					.XXX±.005/0.XX±0.13	projection		3P	
				angles	.XXX±.0020/0.XXX±0.051			RIGHT ANGLE SOLDER HEADER	
				dr	0°±2°	INCH/MM		product family	
				enr	M. MOSTOLLER 2/24/03	scale		PwrBlade	
				chr	M. MOSTOLLER 2/24/03	1:1		code	
				appd	H. BREWBAKER 2/24/03	A		213	
					M. MOSTOLLER 2/24/03	size		sheet	
sheet index	revision sheet					dwg no		3 of 4	
						51939-048			

1 | 2

Pro/E

3 |

cage code 22526

4

Tous droits strictement reserves. Reproduction ou communication a des tiers interdite sous quelque forme que ce soit sans autorisation écrite du propriétaire. Propriete de c FCI. Droits de reproduction FCI.



All rights strictly reserved. Reproduction or issue to third parties in any form whatever is not permitted without written authority from the proprietor. Property of FCI. Copyright FCI.

PRODUCT NUMBER
51939-048__
NOTE: 3

NOTES:

1. DIMENSIONS AND TOLERANCES ARE IN ACCORDANCE WITH ASME Y14.5M, 1994 UNLESS OTHERWISE SPECIFIED.

CONNECTOR NOTES:

- 2. HOUSING MATERIAL: UL 94 V-0 GLASS FILLED HIGH-TEMP THERMOPLASTIC
POWER CONTACT MATERIAL: COPPER ALLOY
SIGNAL PIN MATERIAL: COPPER ALLOY

3. SEE ITEM 1 & 2 IN PRINT 10064183 FOR PLATING SPEC OF 51939-048 AND 51939-048LF RESPECTIVELY.

- 4. MANUFACTURER'S NAME, P/N, AND DATE CODE TO APPEAR ON THIS SURFACE.

5. PRODUCT SPECIFICATION GS-12-149.
APPLICATION SPECIFICATION BUS-20-067.

6. PACKAGED IN TRAYS.

PCB NOTES:

7. ALL HOLE DIAMETERS ARE FINISHED HOLE SIZE.

- 8. MOUNTING HOLES, WHERE APPLICABLE, ARE UNPLATED.

- 9. $\varnothing .0453 \pm .0010$ [1.151 \pm 0.025] DRILLED HOLES PLATED WITH
.0003 [0.008] MIN SnPb OVER .001 [0.03]
TO .003 [0.08] Cu PLATING TO ACHIEVE
 $\varnothing .040 \pm .003$ [1.02 \pm .07] HOLE.

- 10. "DIM XXX" TO BE DETERMINED BY THE CUSTOMER.

- 11. CONNECTOR KEEP-OUT ZONE.

12. A Δ SYMBOL WILL BE NEXT TO ANY DIMENSION, VIEW, OR NOTE WHICH HAS BEEN MODIFIED WITH THE CURRENT DRAWING REVISION.

mat'l code		SEE NOTE 2		tolerances unless otherwise specified		CUSTOMER				www.fciconnect.com	
ltr	ecn no.	dr	date	linear	.XX+.01/0.X+.0.3	COPY		projection		title	
D					.XXX+.005/0.XX+.0.13					3P	
				angles	.XXX+.002/0.XXX+.0.051					RIGHT ANGLE SOLDER HEADER	
					0°+2°			INCH/MM		product family	
				dr	M. MOSTOLLER 2/24/03			scale		PwrBlade	
				enrg	M. MOSTOLLER 2/24/03			1:1		code	
				chr	H. BREWBAKER 2/24/03			A		213	
				appd	M. MOSTOLLER 2/24/03			51939-048		sheet	
sheet index		revision sheet								4 of 4	

cage code 22526