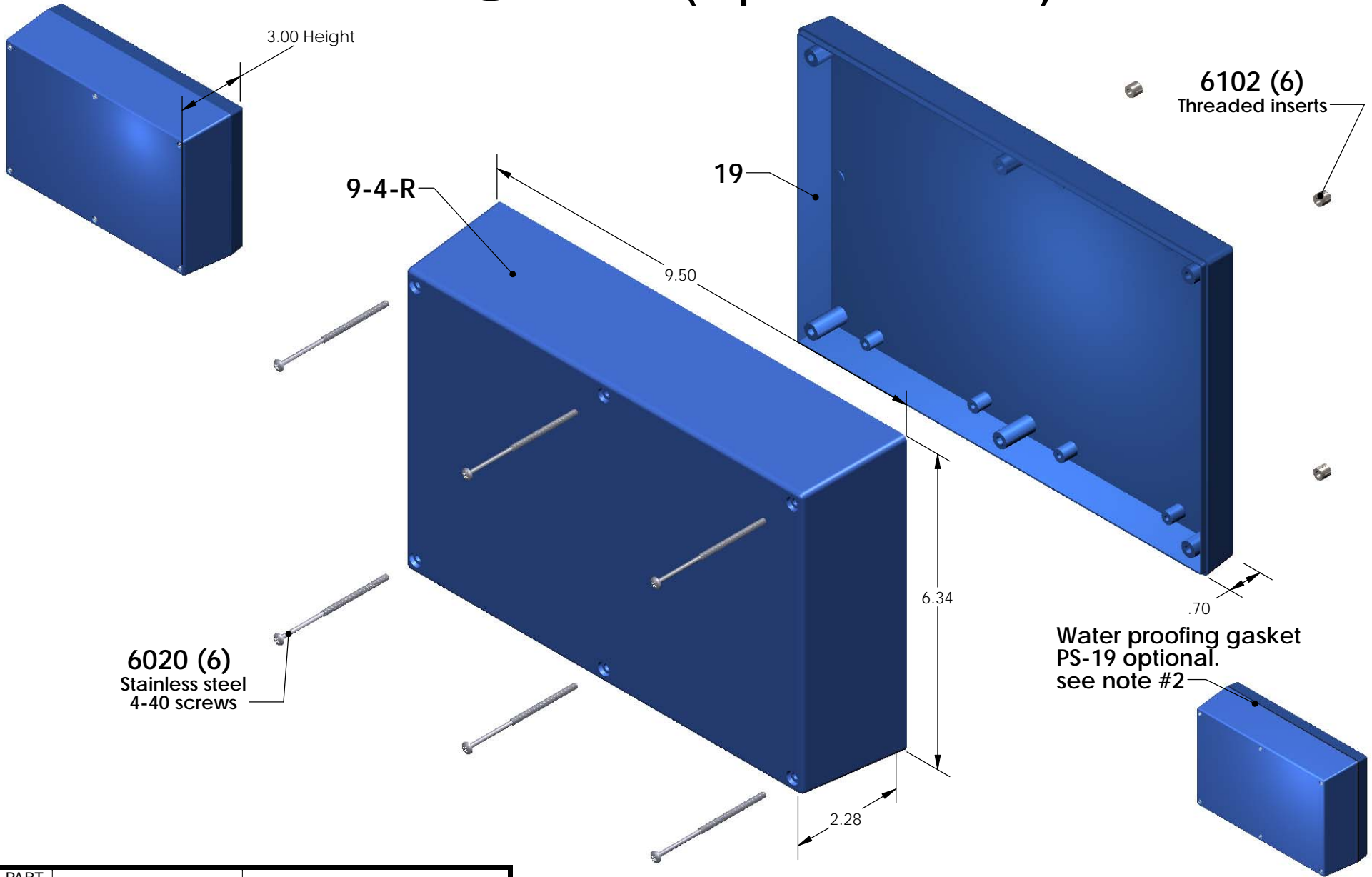


# SERPAC 194-R (exploded isometric)

Electronic Enclosures



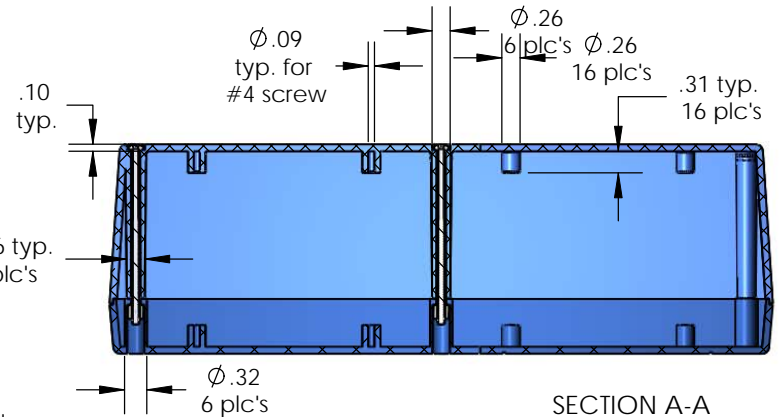
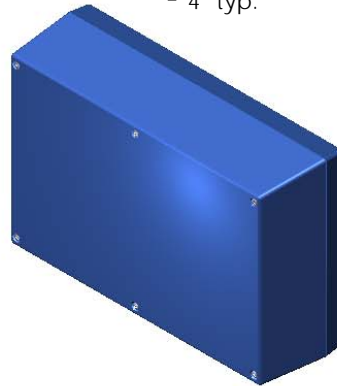
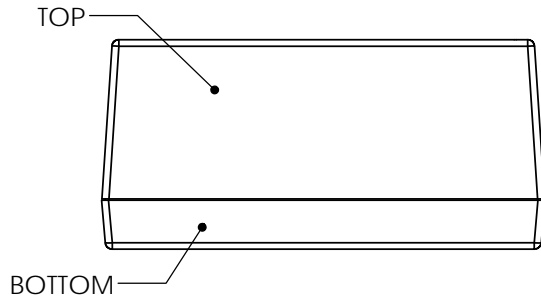
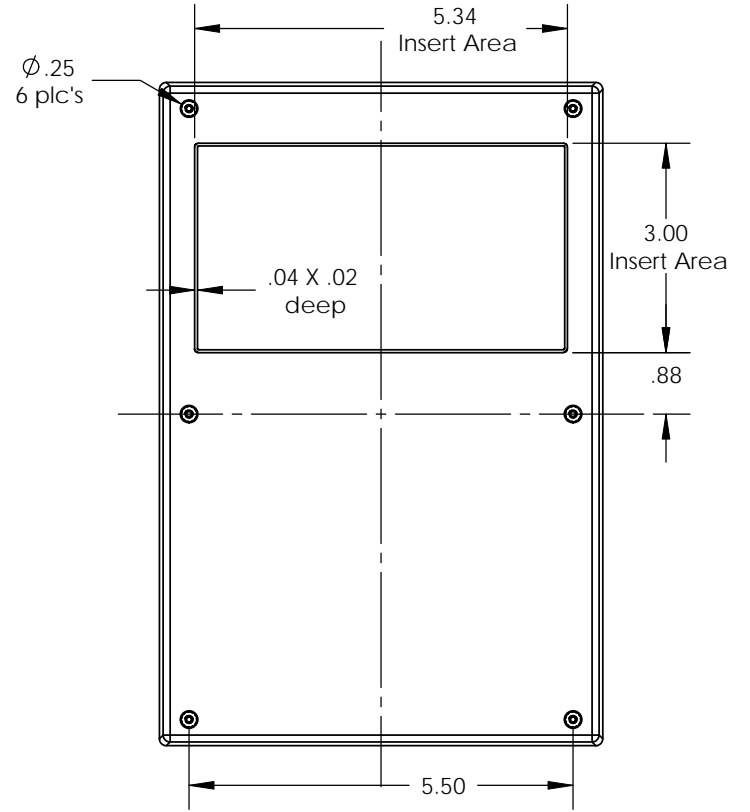
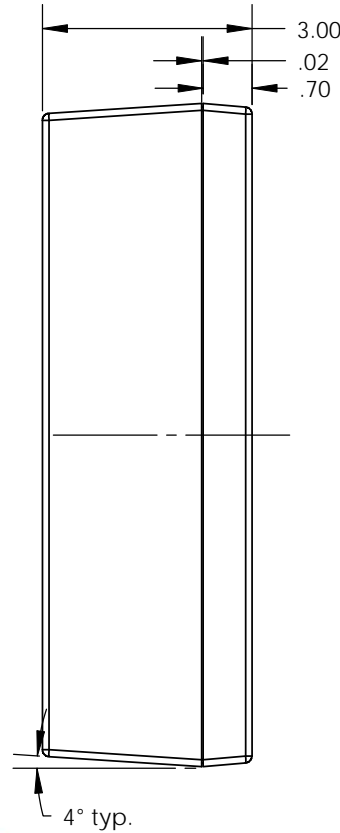
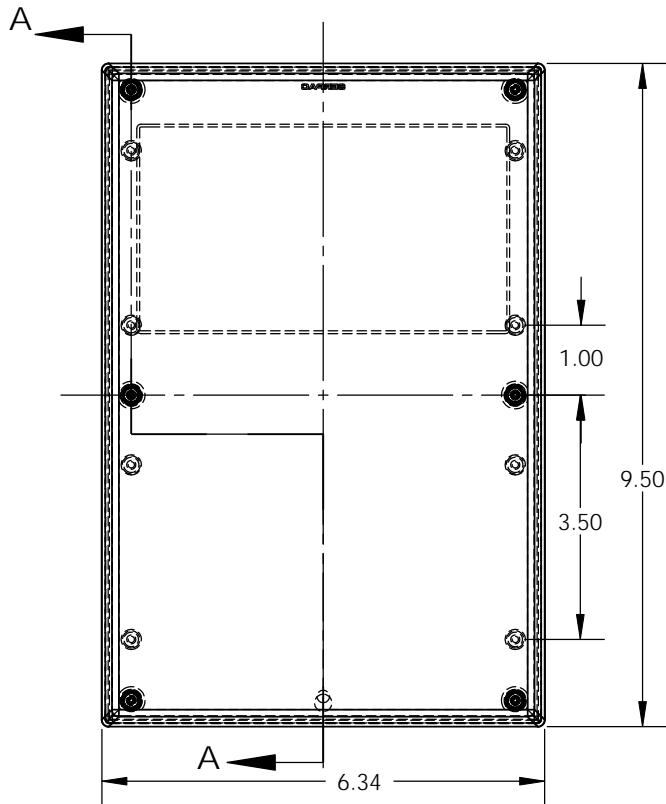
PART NO.	DESCRIPTION (Included)	ACCESSORIES (Optional)	
9-4-R	TOP	PART NO.	DESCRIPTION
19	BOTTOM	PS-19	Perimeter Seal
6020	4-40 SCREW (6)		
6102	THREADED INSERTS (6)		

Notes: Enclosure weight .79 lbs / 358 gm  
 1) Enclosure meets or exceeds IP40 and NEMA 1  
 2) When used with PS-19 the enclosure meets or exceeds IP 66 and NEMA 4X, 12 and 13 MIL-STD-810G 506.5  
 3) Circuit Board drawings can be download at:  
<http://www.serpac.com/Accessories/CircuitBoard/drawings/19X-CB.pdf>  
 4) All components are RoHS Compliant.

Water proofing gasket  
 PS-19 optional.  
 see note #2

# SERPAC 194-R (user print)

Electronic Enclosures



SECTION A-A  
SCALE 1 : 2.75

PART NO.	DESCRIPTION (Included)	ACCESSORIES (Optional)	
9-4-R	TOP	PART NO.	DESCRIPTION
19	BOTTOM	PS-19	Perimeter Seal
6020	4-40 SCREW (6)		
6102	THREADED INSERTS (6)		

Notes: Enclosure weight .79 lbs / 358 gm  
 1) Enclosure meets or exceeds IP40 and NEMA 1  
 2) When used with PS-19 the enclosure meets or exceeds IP 67 and NEMA 4X, 12 and 13 MIL-STD-810G 506.5  
 3) Circuit Board drawings can be download at:  
[http://www.serpac.com/Accessories/CircuitBoard/drawings/19X\\_CB.pdf](http://www.serpac.com/Accessories/CircuitBoard/drawings/19X_CB.pdf)  
 4) All components are RoHS Compliant.