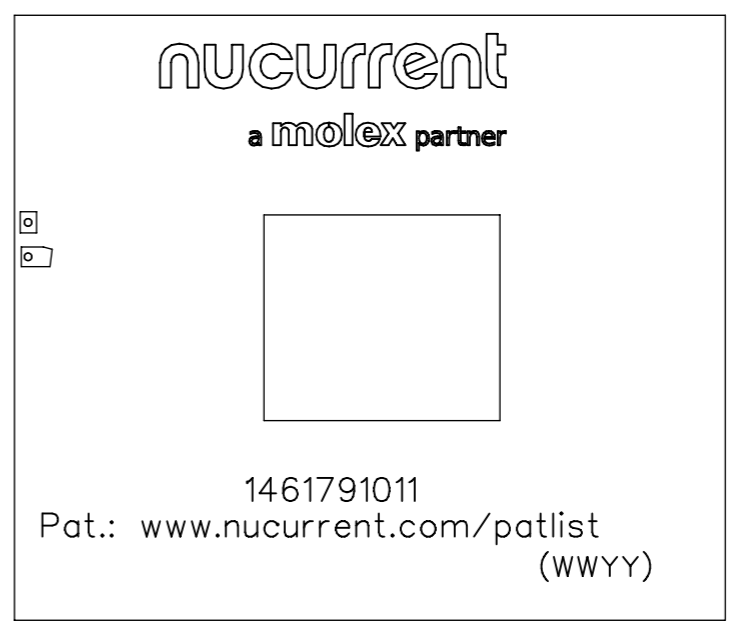
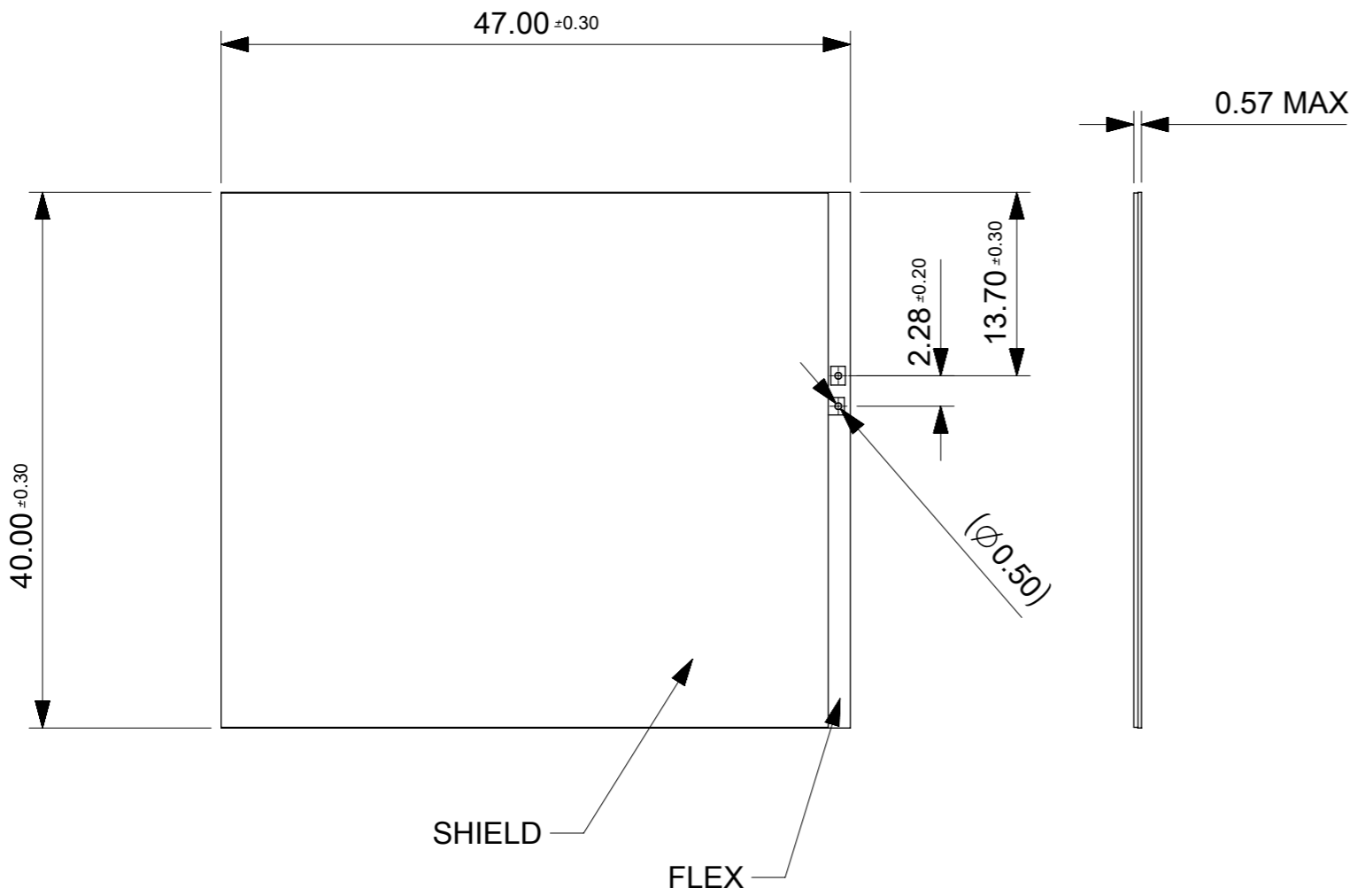


MOLEX				CUSTOMER			DRAWING LOCATION	CHANGE DESCRIPTION				AFFECTED DEPT	
DRAWING NO.	REV	ECN NO.	DATA	P/N	P/N	3D REV		2D REV					
1461791011	A	104512	2016/05/20	1461791011		-	-	ALL	NEW RELEASE				AQP/ME/RF/PE/POP
1461791011	B	111410	2017/01/05	1461791011		-	-	ALL	UPDATE THICKNESS CONTROL AND TOLERANCE				AQP/ME/RF/PE/POP



THIS DRAWING CONTAINS INFORMATION THAT IS PROPRIETARY TO MOLEX ELECTRONIC TECHNOLOGIES, LLC AND SHOULD NOT BE USED WITHOUT WRITTEN PERMISSION														
QUALITY SYMBOLS 	EC NO: 111410 DRWN: TZHOU07 CHK'D: YXGAO04 APPR: CYU08	GENERAL TOLERANCES (UNLESS SPECIFIED) ANGULAR TOL ± °		DIMENSION UNITS	SCALE	 WIRELESS CHARGING COIL DUAL BAND, LOW FREQUENCY RECEIVE PRODUCT CUSTOMER DRAWING								
		4 PLACES ±		MM	2:1									
		3 PLACES ±		DRWN BY	DATE									
		2 PLACES ±		CHK'D BY	DATE	SERIES			MATERIAL NUMBER			CUSTOMER		
		1 PLACE ±		YXGAO04	2016/07/27	146179								
0 PLACES ±		APPR BY	DATE	DRAWING SIZE			THIRD ANGLE PROJECTION			DOCUMENT NUMBER				
DRAFT WHERE APPLICABLE MUST REMAIN WITHIN DIMENSIONS		CYU08	2016/07/28	A3						1461791011				
		REV					DOC TYPE			DOC PART				
		B					PSD			000				
							SHEET NUMBER			1 OF 1				

RELEASE STATUS	P1	RELEASE DATE	28.07.2016	01:39:25
----------------	----	--------------	------------	----------