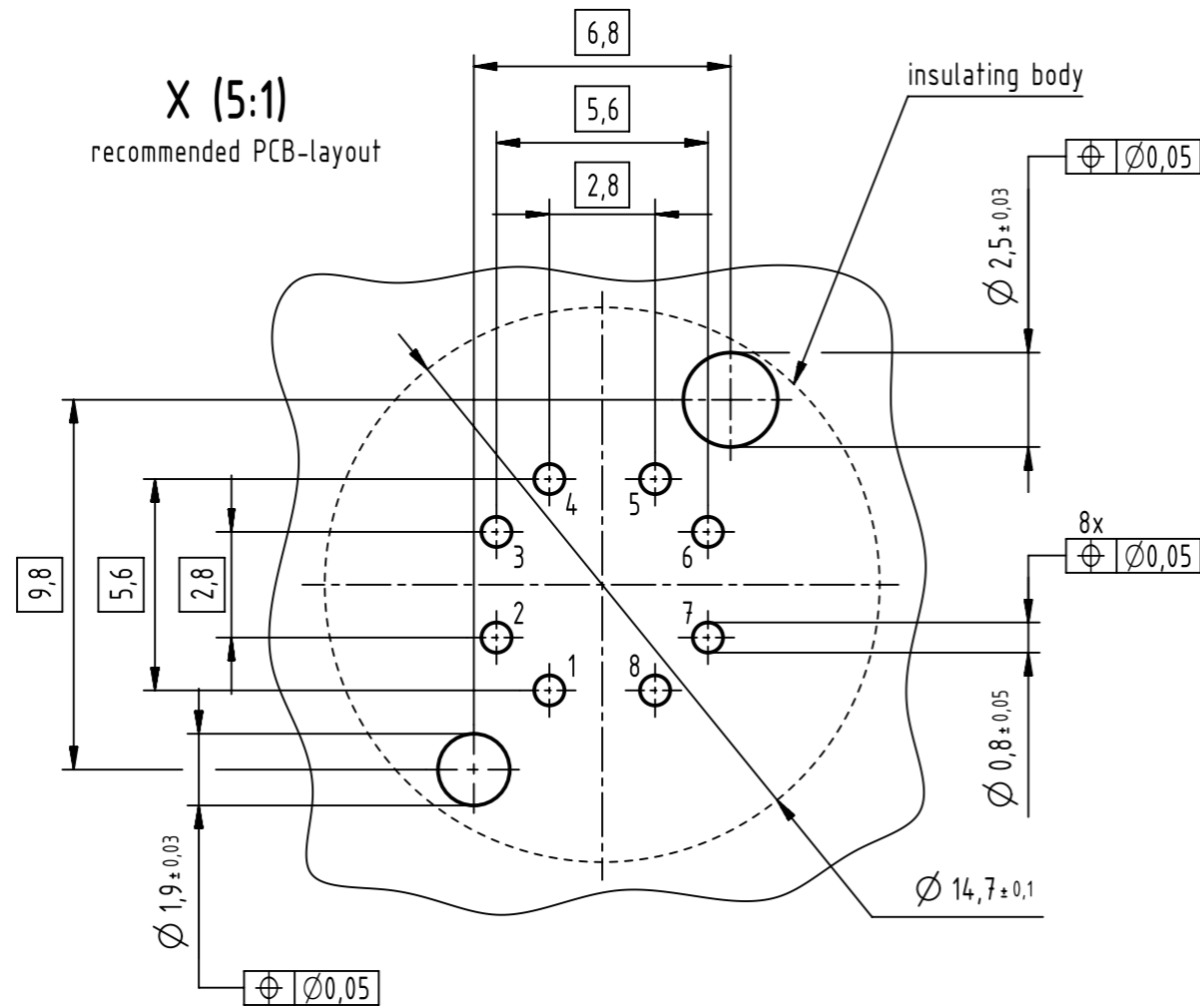
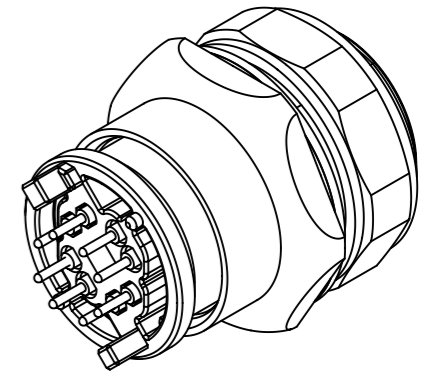


X (5:1)
recommended PCB-layout



- 500 mating cycles acc. to DIN IEC 60512-5
- design for reflow soldering

pin assignment		
pin	Signal	pair
1	TD1+	2
2	RD1-	2
3	TD2+	3
4	RD2-	3
5	TD4+	4
6	RD4-	4
7	RD3-	1
8	TD3+	1



	All rights reserved	Created by	Inspected by	Standardisation	Date	State	
	Department EC PD - DE	BUSSMANN	GENAU	HOFFMANN	2013-07-12	Final Release	
HARTING Electronics GmbH D-32339 Espelkamp		Title har-speed M12 PCB Cat5 receptacle straight rear				Doc-Key / ECM-Nr. 100230893/UGD/001/C 500000064.016	
		Type	Number		Rev.	Page	
		TB	21033812805		C	1/1	