

4

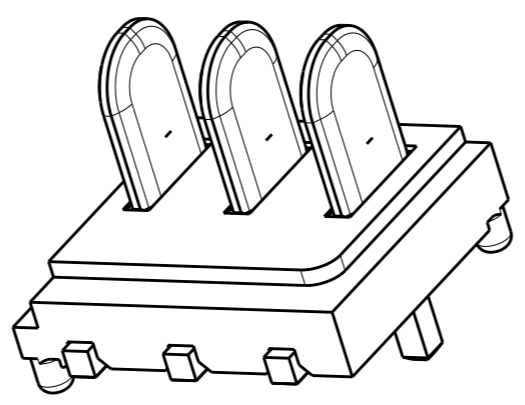
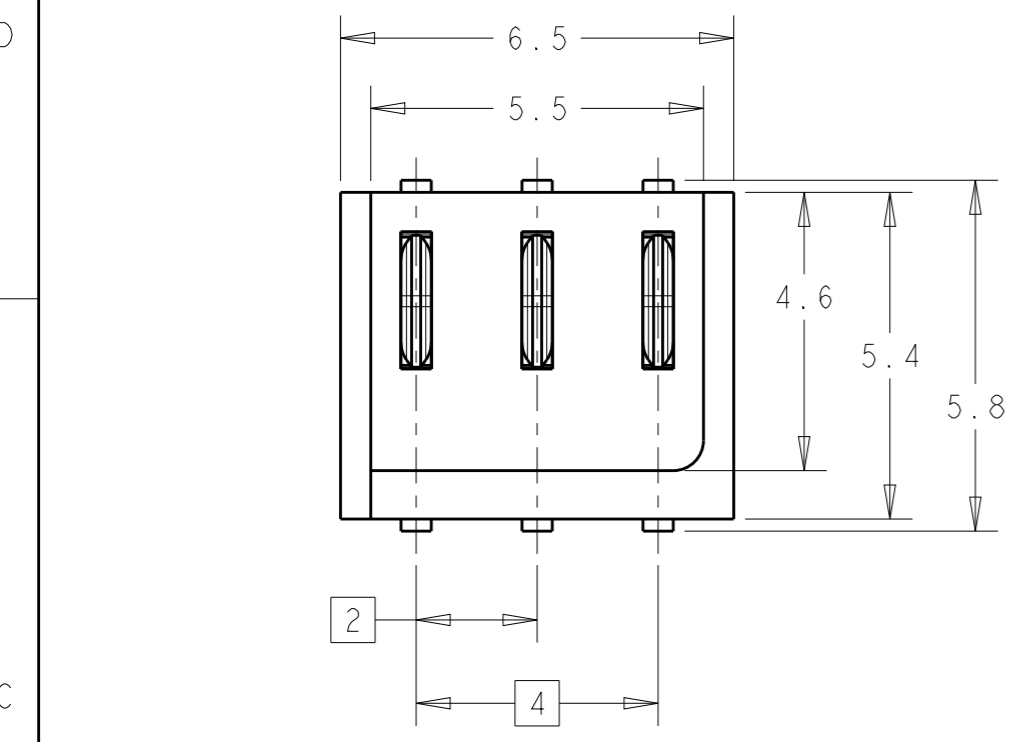
3

2

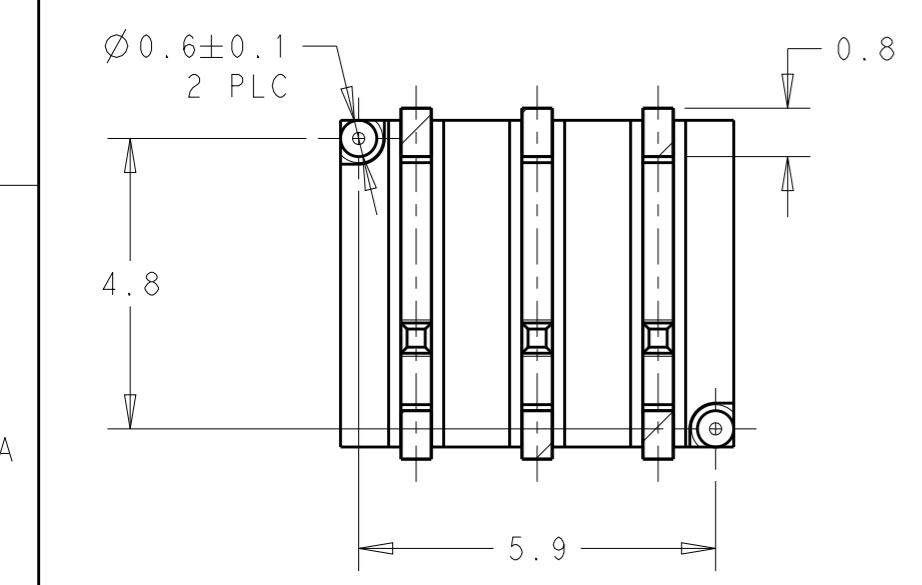
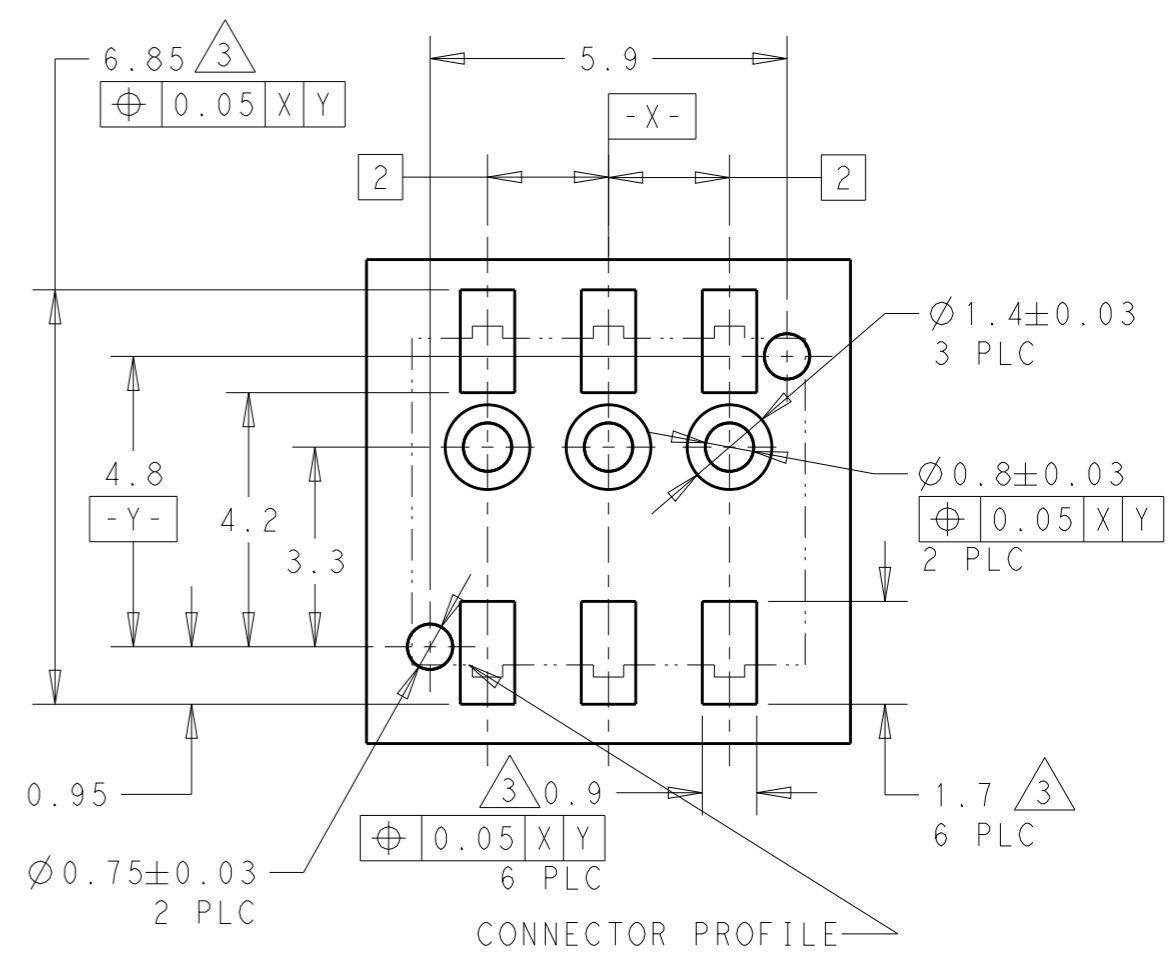
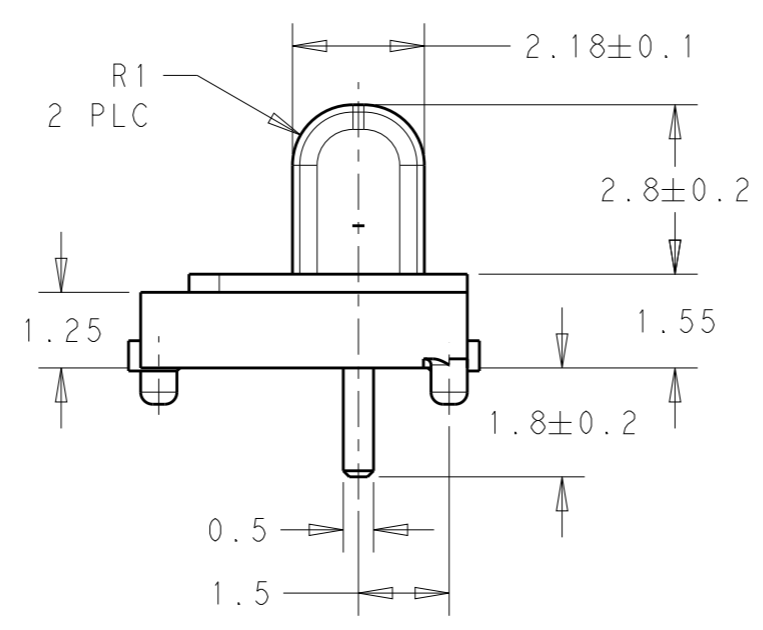
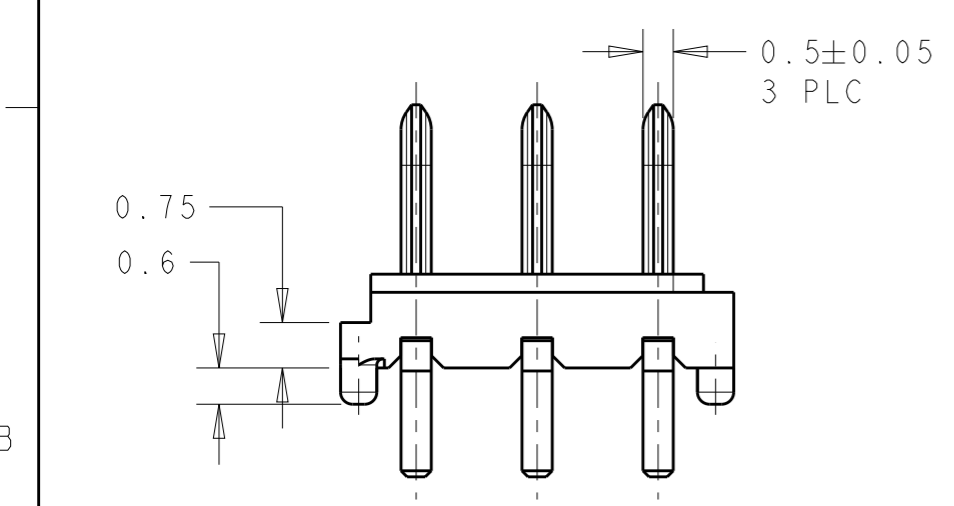
1

THIS DRAWING IS UNPUBLISHED. RELEASED FOR PUBLICATION 20  
 © COPYRIGHT 20 BY - ALL RIGHTS RESERVED.

LOC		DIST		REVISIONS			
P	LTR	DESCRIPTION	DATE	DWN	APVD		
-	-						



NOTES:  
 1 MATERIAL:  
 HOUSING; THERMOPLASTIC RESIN, UL94V-0, BLACK  
 CONTACT; COPPER ALLOY  
 2 FINISH: ALL OVER Ni UNDER PLATING.  
 CONTACT AREA: GOLD PLATING  
 SODERING AREA: GOLD FLASH  
 3 NECESSARY SURFACEMOUNTING BY REFLOW



RECOMMENDEN PCB LAYOUT  
 GENTAL TOLERANCE ±0.05

2199011-1 AS SHOWN

THIS DRAWING IS A CONTROLLED DOCUMENT.		DWN	E.L	11 JAN 2012	 TE Connectivity		
DIMENSIONS: mm		CHK	X.X	11 JAN 2012			
TOLERANCES UNLESS OTHERWISE SPECIFIED: 0 PLC ±- 1 PLC ±0.3 2 PLC ±0.25 3 PLC ±0.2 4 PLC ±0.2 ANGLES ±-		APVD	X.X	11 JAN 2012			
MATERIAL 1		PRODUCT SPEC	108-5846				
FINISH 2		APPLICATION SPEC	-		NAME	BATTERY BLOCK PLUG ASSEMBLY 3 POS 2.0MM PITCH	
		WEIGHT	0.21 G		SIZE	A3	
		Customer Drawing		SCALE	8:1	CAGE CODE	00779
				SHEET	1	DRAWING NO	2199011
				OF	1	RESTRICTED TO	-
				REV	A		