

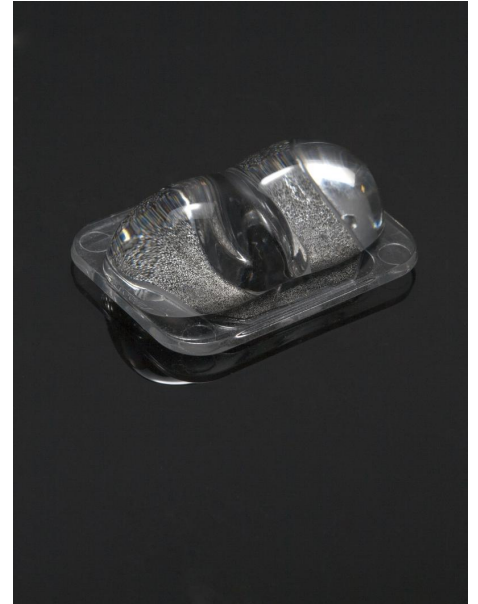


# PRODUCT DATASHEET EMERALD series

last update 11/7/2016

## DETAILS

<b>Product Number</b>	CA14523_EMERALD-MAXI-A
<b>Family</b>	EMERALD
<b>Type</b>	Assembly
<b>Color</b>	clear
<b>Diameter</b>	33 x 25 mm
<b>Height</b>	12,2 mm
<b>Style</b>	rectang
<b>Optic Material</b>	PMMA
<b>Holder Material</b>	
<b>Fastening</b>	tape, pin
<b>Status</b>	production ready
<b>ROHS Compliant</b>	Yes
<b>Date Updated</b>	11/07/2016



## OPTICAL PROPERTIES

LED	Viewing Angle	Light Beam	Efficiency	cd/lm	Connector
XM-L	asymmetric deg	Wide-Area...	92 %	2.000	-
XM-L2	asymmetric deg	Wide-Area...	93 %	1.900	-
LUXEON MZ	asymmetric deg	Wide-Area...	92 %	2.100	-
LUXEON M/MX	asymmetric deg	Wide-Area...	92 %	1.200	-
Duris P10	sim: Asymmetric	Wide-Area...	sim: 86 %	sim: 1.320	-

D

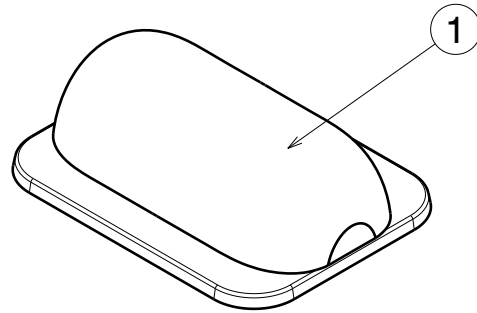
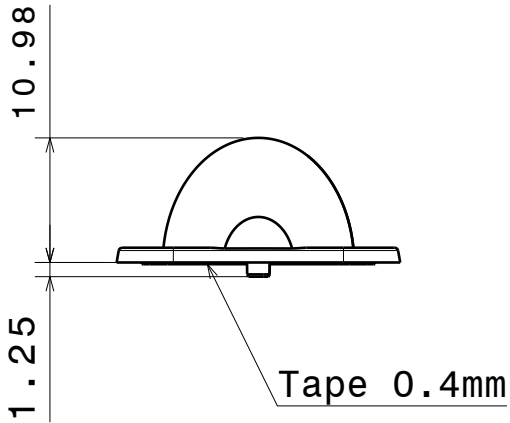
C

B

A

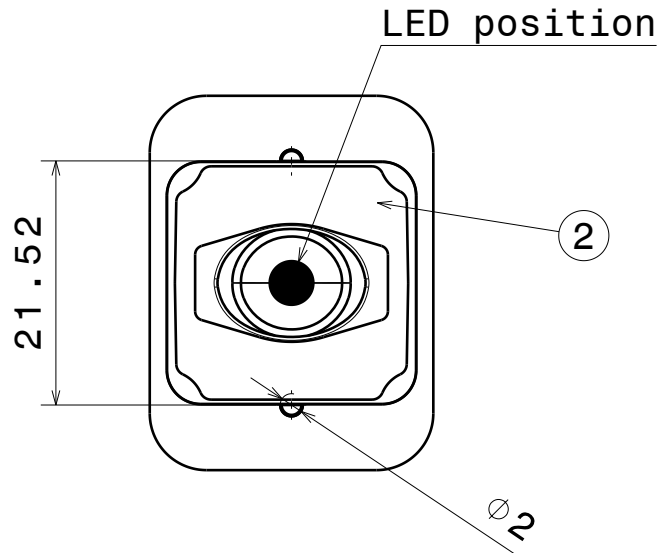
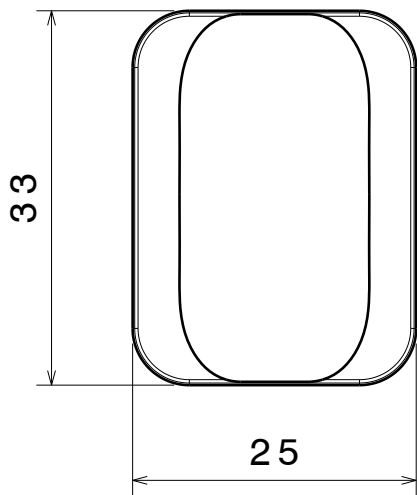
4

4



3

3



2

2

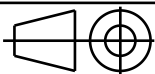
INDEX	PART NO	DESCRIPTION	MATERIAL	COLOUR
1	C14522	EMERALD-MAXI-A	PMMA	clear
2	-	ROSE-TAPE	PU foam	black

Tolerances if not otherwise shown  
 According to DIN ISO 2768-1  
 Linear measures: class C  
 According to DIN ISO 2768-2  
 Form and position: class L

**LEDiL**

Ledil Oy  
 Salorankatu 10  
 FIN 24240 SALO  
 Finland

THIRD ANGLE PROJECTION:



DRAWING TITLE

CA14523\_EMERALD-MAXI-A

This drawing is the property  
 of LEDiL Oy. It may not be  
 reproduced, copied or  
 communicated without a written  
 agreement with LEDiL Oy.

SIZE

PART NUMBER

A4

CA14523

SCALE

3:2

WEIGHT

4,6 g

SHEET

1/1

D

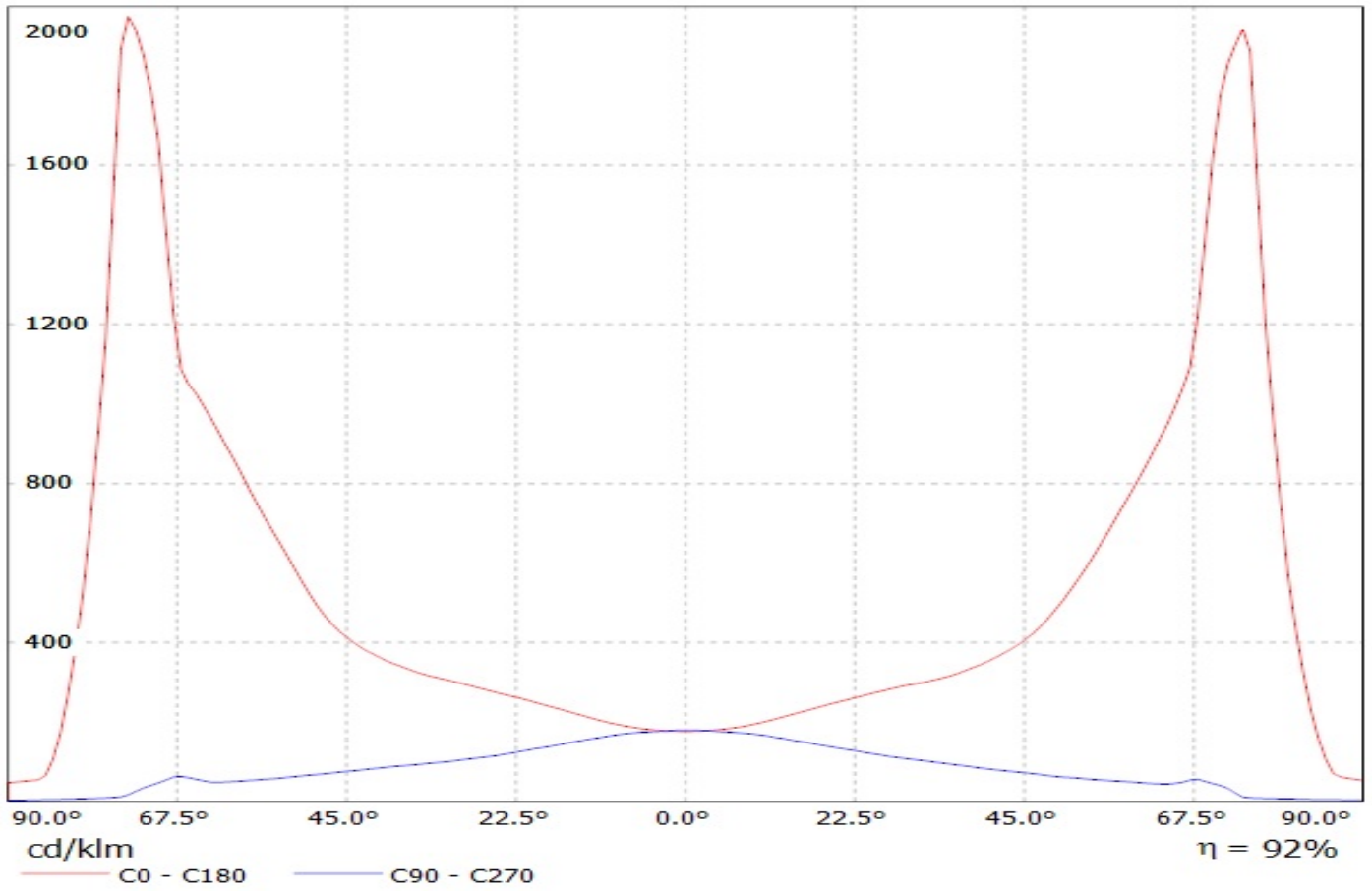
A

1

1

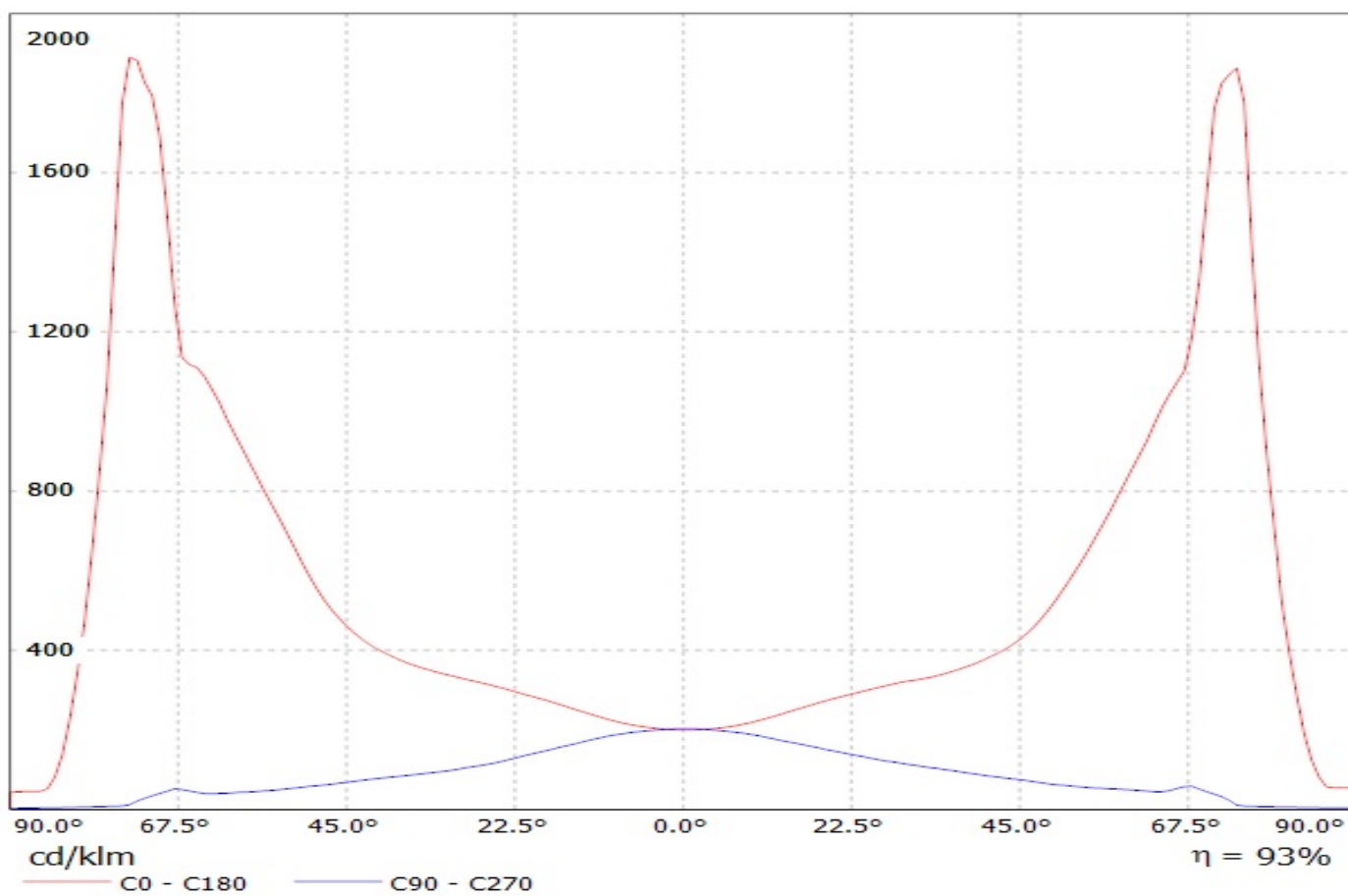
Luminaire: LEDiL Oy CA14523\_EMERALD-MAXI-A\_(XM-L)

Lamps: 1 x Cree\_XM-L\_(XMLAWT-00-0000-0000T6051)\_99.7619lm@250mA\_P=0.728908W\_I=249.8mA



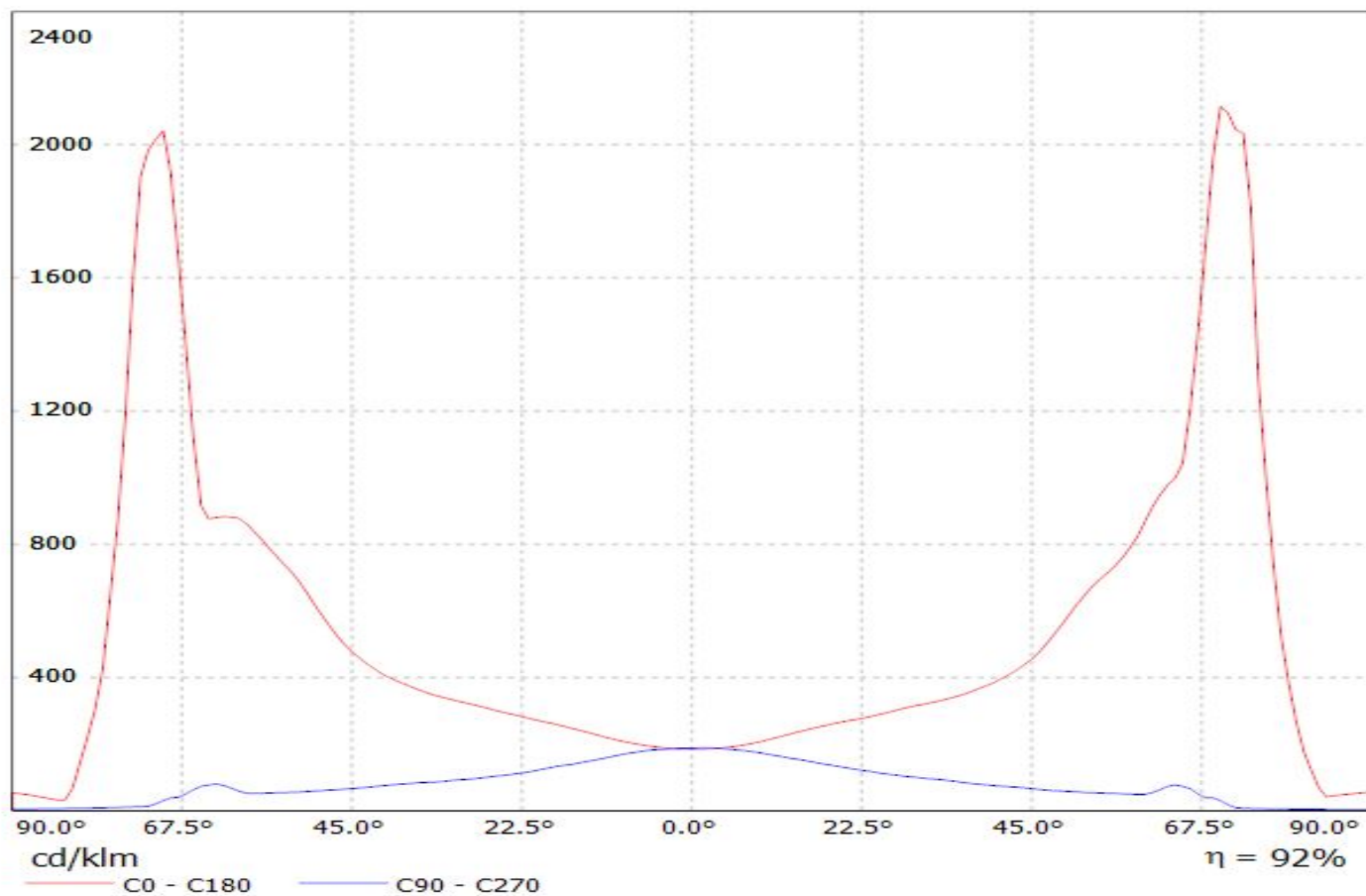
Luminaire: LEDiL Oy CA14523 EMERALD-MAXI-A (XM-L2)

Lamps: 1 x Cree\_XM-L2\_(XMLBWT-0-7B4-T30-0L-0001)\_95.8461lm@250mA\_P=0.73733W\_I=249.9mA



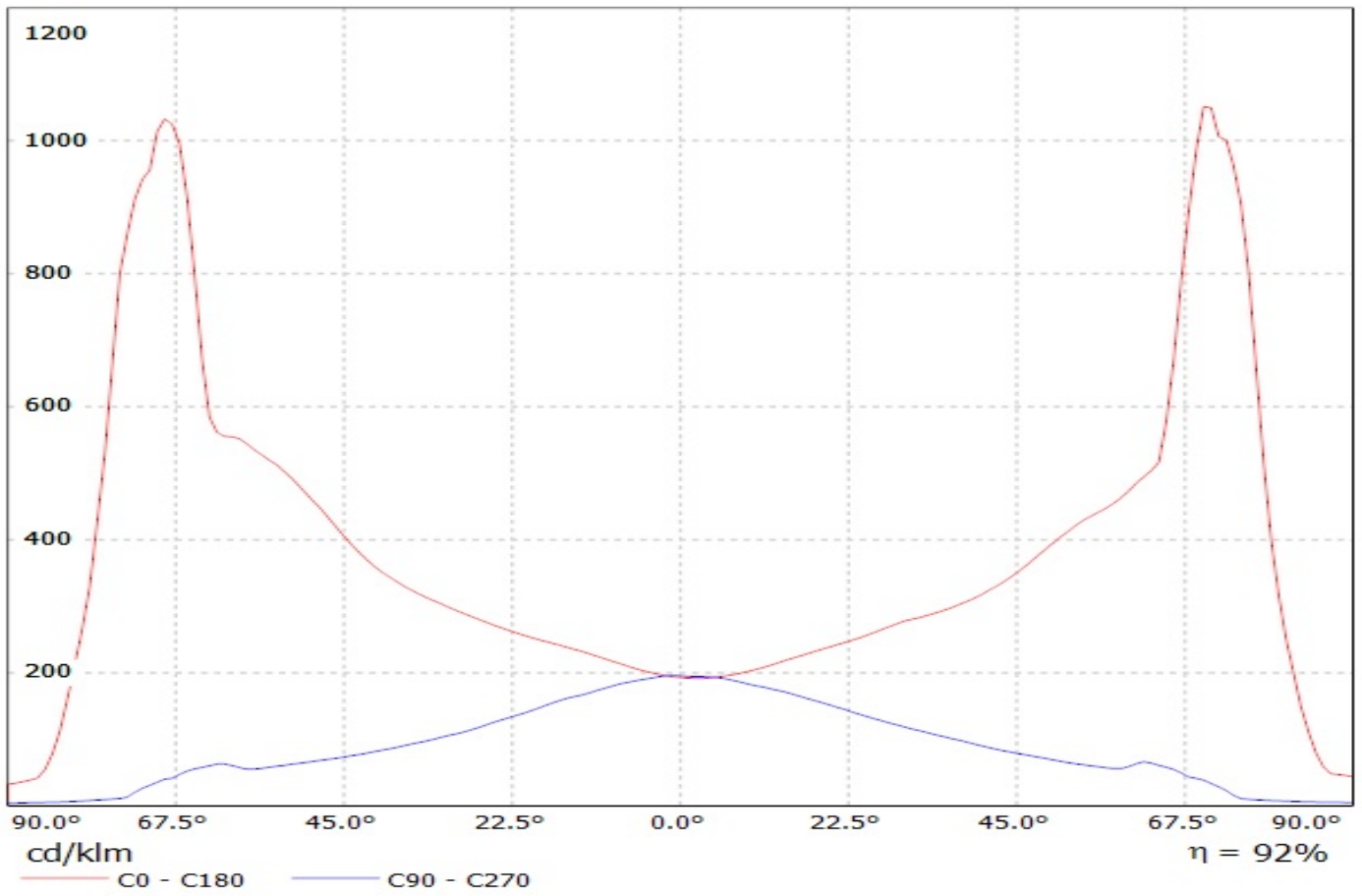
Luminaire: LEDiL Oy CA14523\_EMERALD-MAXI-A\_(Luxeon\_MZ)

Lamps: 1 x Philips\_Lumileds\_Luxeon\_MZ\_(LMZ9-SW30)\_272.416lm@250mA\_P=2.77528W\_I=249.8mA



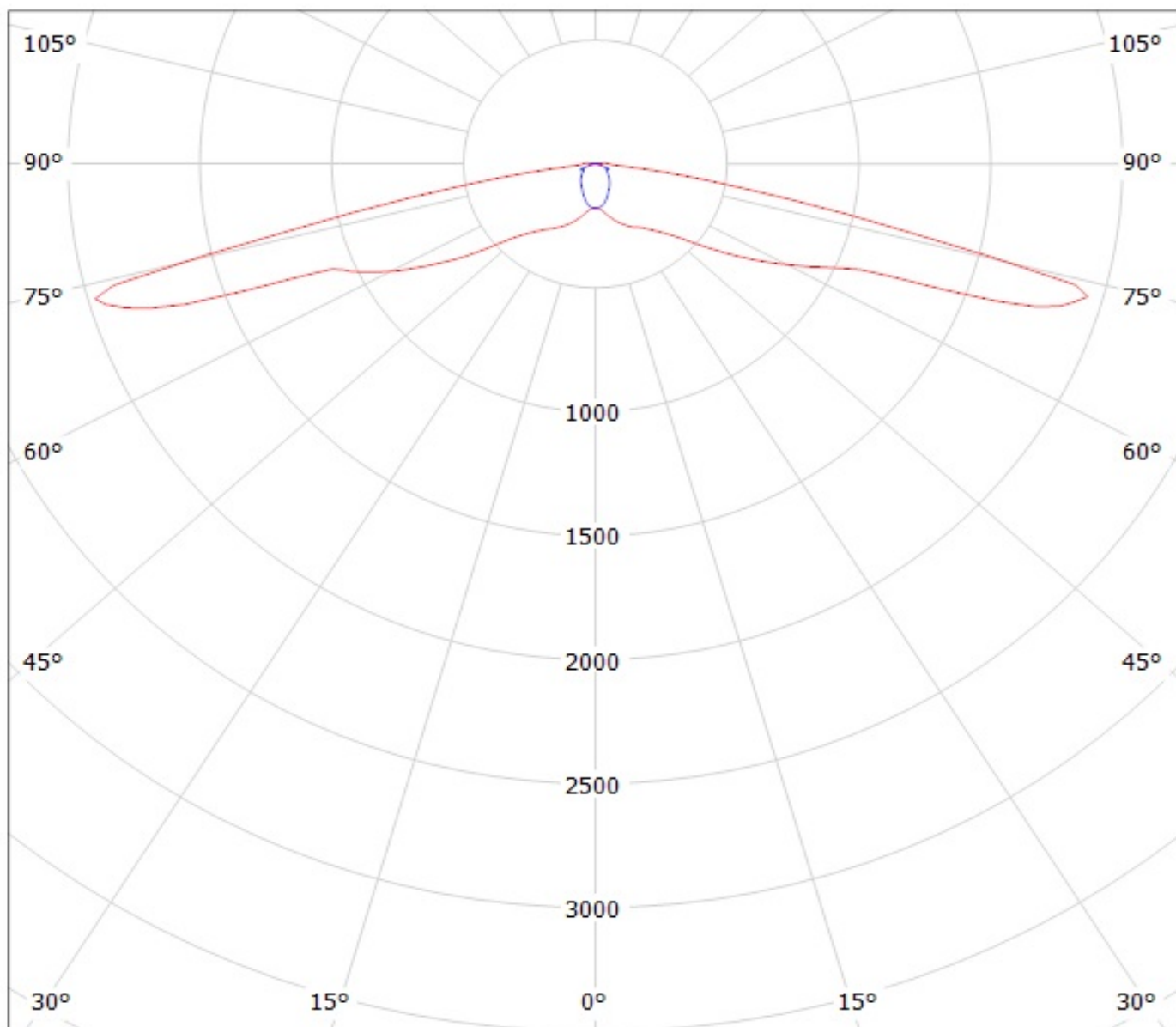
Luminaire: LEDiL Oy CA14523\_EMERALD-MAXI-A\_(Luxeon\_M)

Lamps: 1 x Philips\_Lumileds\_Luxeon\_M\_(LXR7-SW40)\_335.652lm@250mA\_P=2.72532W\_I=249.8mA



Luminaire: LEDiL Oy CA14523\_EMERALD-MAXI-A\_(XM-L)

Lamps: 1 x Cree\_XM-L\_(XMLAWT-00-0000-0000T6051)\_99.7619lm@250mA\_P=0.728908W\_I=249.8mA



cd/klm

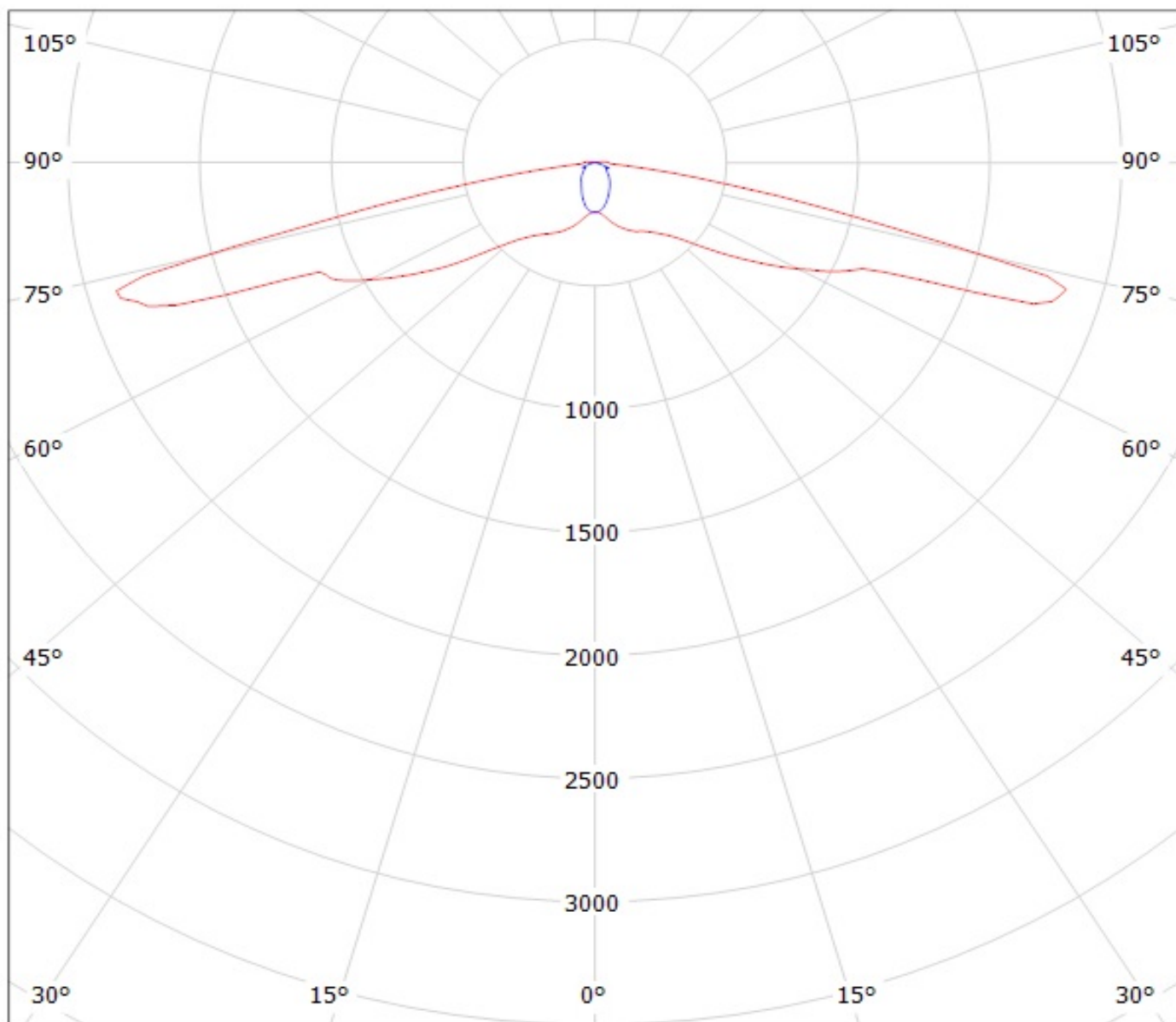
— C0 - C180

— C90 - C270

$\eta = 92\%$

Luminaire: LEDiL Oy CA14523\_EMERALD-MAXI-A\_(XM-L2)

Lamps: 1 x Cree\_XM-L2\_(XMLBWT-0-7B4-T30-0L-0001)\_95.8461lm@250mA\_P=0.73733W\_I=249.9mA



cd/klm

— C0 - C180

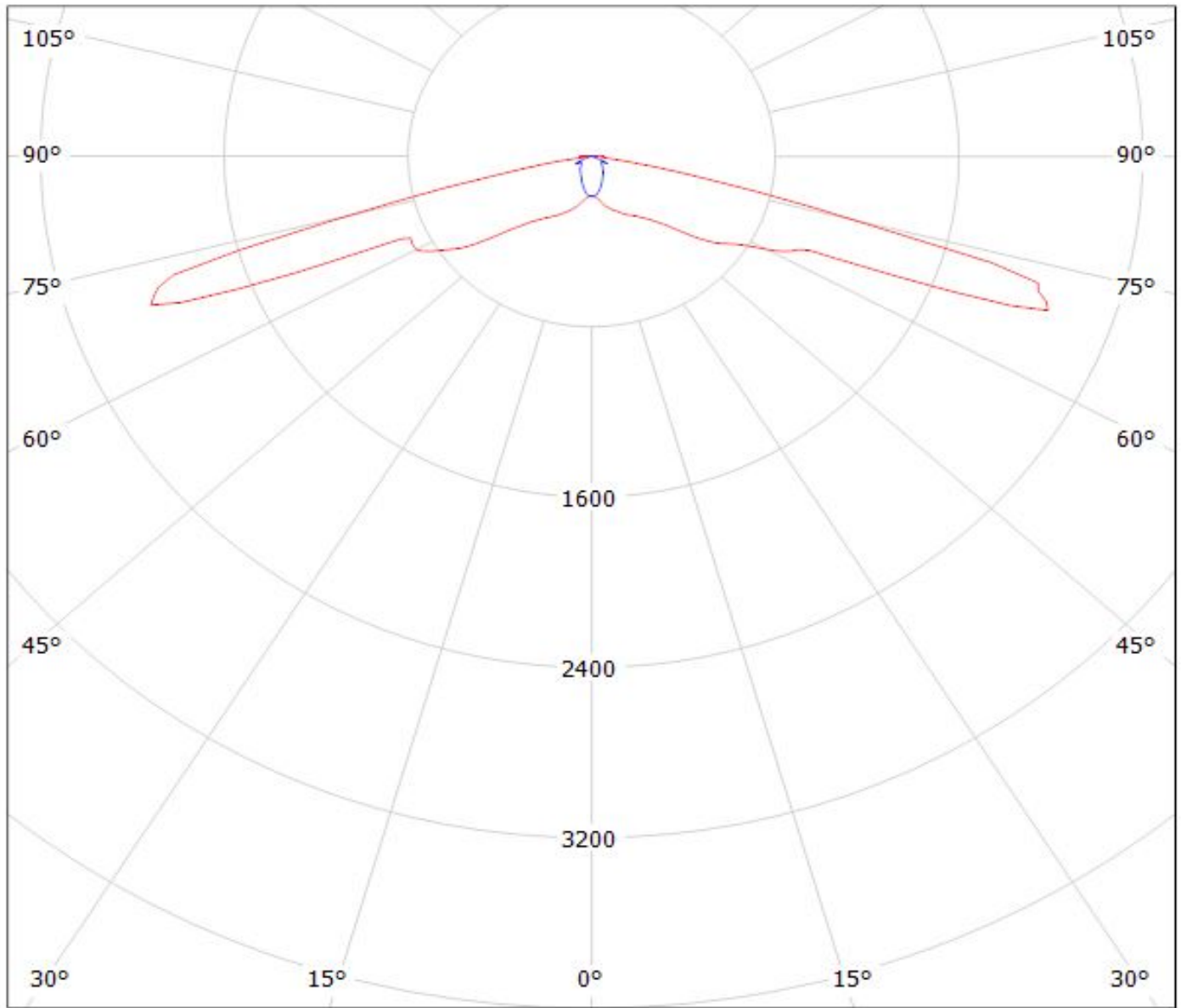
— C90 - C270

$\eta = 93\%$



Luminaire: LEDiL Oy CA14523\_EMERALD-MAXI-A\_(Luxeon\_MZ)

Lamps: 1 x Philips\_Lumileds\_Luxeon\_MZ\_(LMZ9-SW30)\_272.416lm@250mA\_P=2.77528W\_I=249.8mA



cd/klm

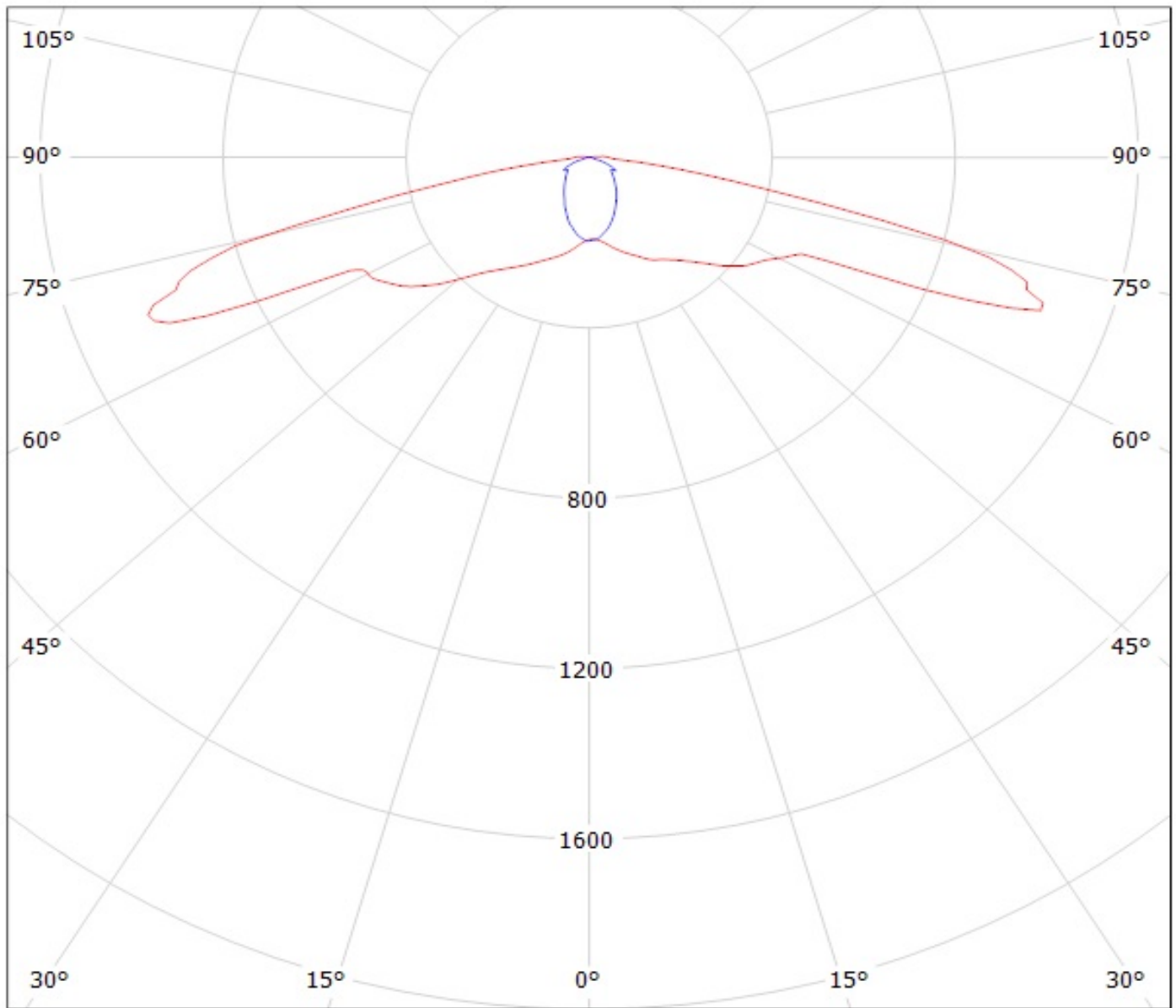
— C0 - C180

— C90 - C270

$\eta = 92\%$

Luminaire: LEDiL Oy CA14523\_EMERALD-MAXI-A\_(Luxeon\_M)

Lamps: 1 x Philips\_Lumileds\_Luxeon\_M\_(LXR7-SW40)\_335.652lm@250mA\_P=2.72532W\_I=249.8mA



cd/klm

$\eta = 92\%$

— C0 - C180

— C90 - C270

**NOTE: The typical divergence will be changed by different color, chip size and chip position tolerance. The typical total divergence is the full angle measured where the luminous intensity is half of the peak value.**