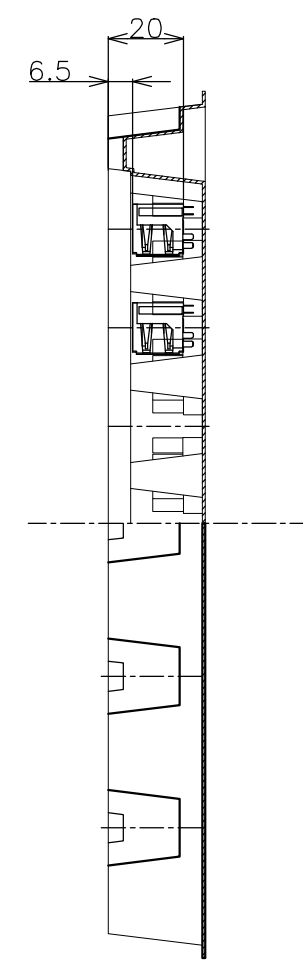
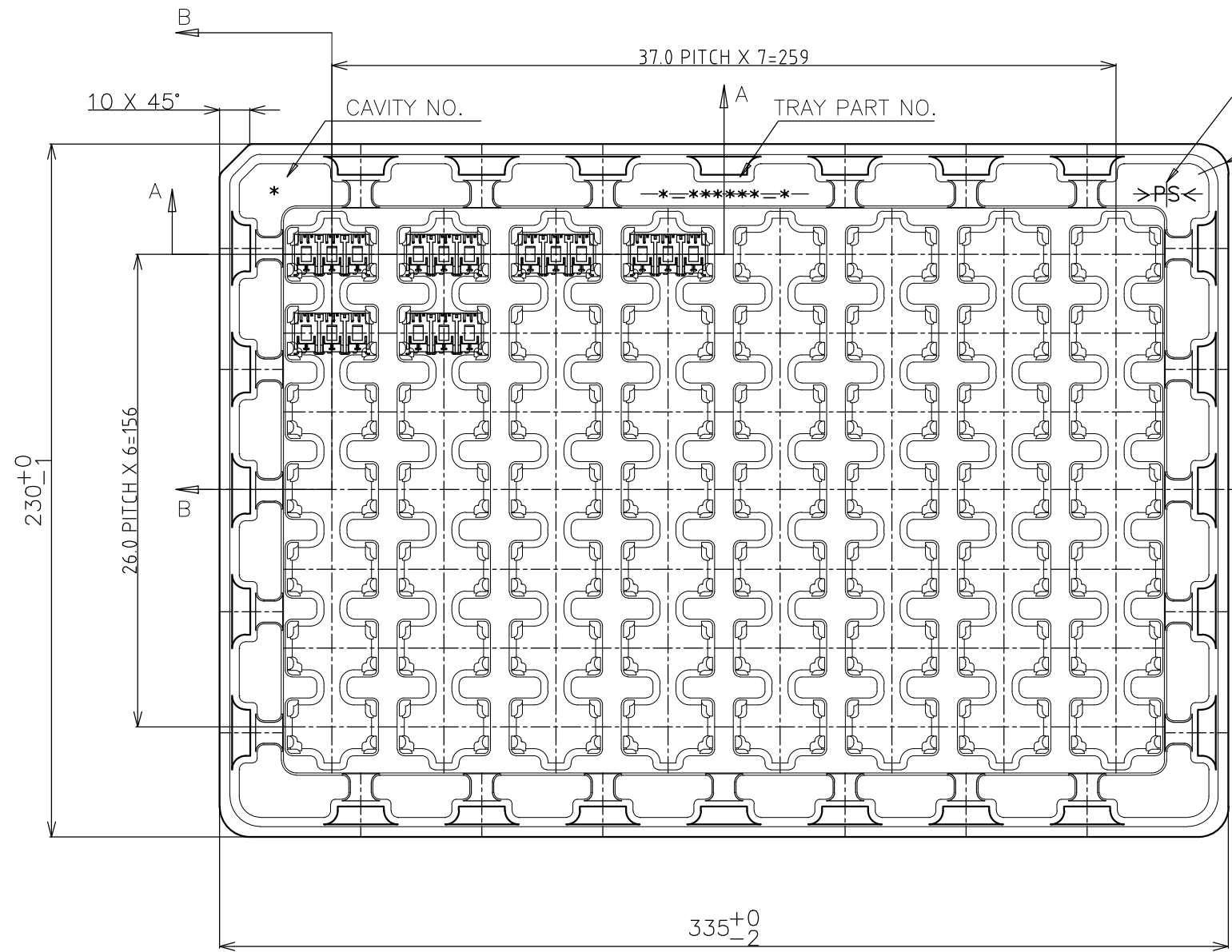
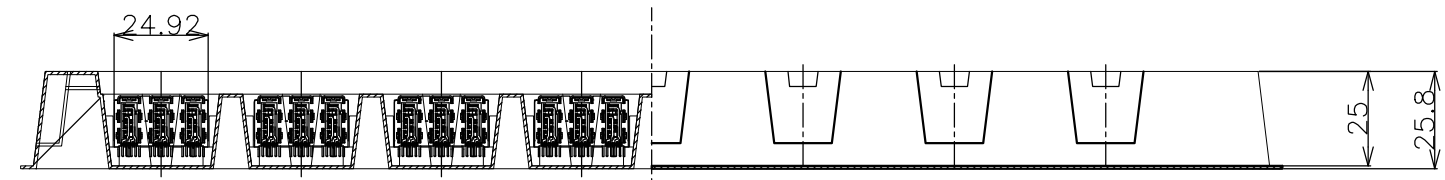


THIS DRAWING IS UNPUBLISHED. RELEASED FOR PUBLICATION
 © COPYRIGHT 2004 BY TYCO ELECTRONICS CORPORATION. ALL RIGHTS RESERVED.

LOC	DIST	REVISIONS					
		P	LTR	DESCRIPTION	DATE	DWN	APVD
J	/	A1		REVISED ECR-15-016523	16NOV15	T.Z	H.W



SECTION B-B



SECTION A-A

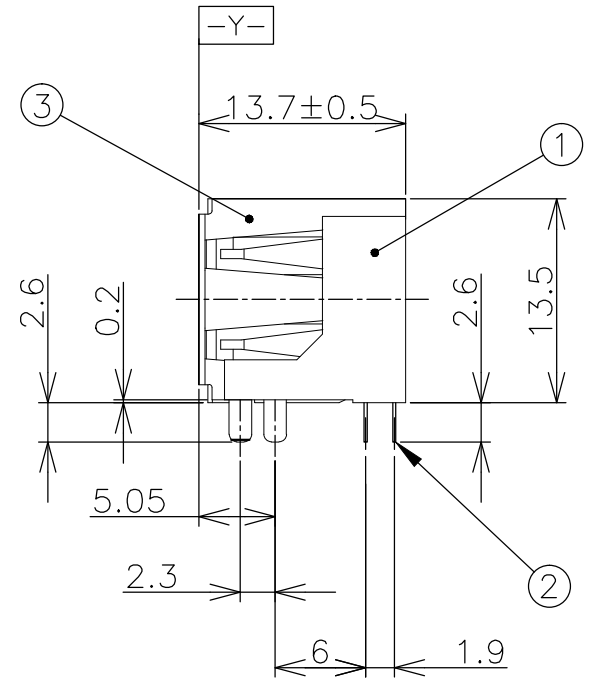
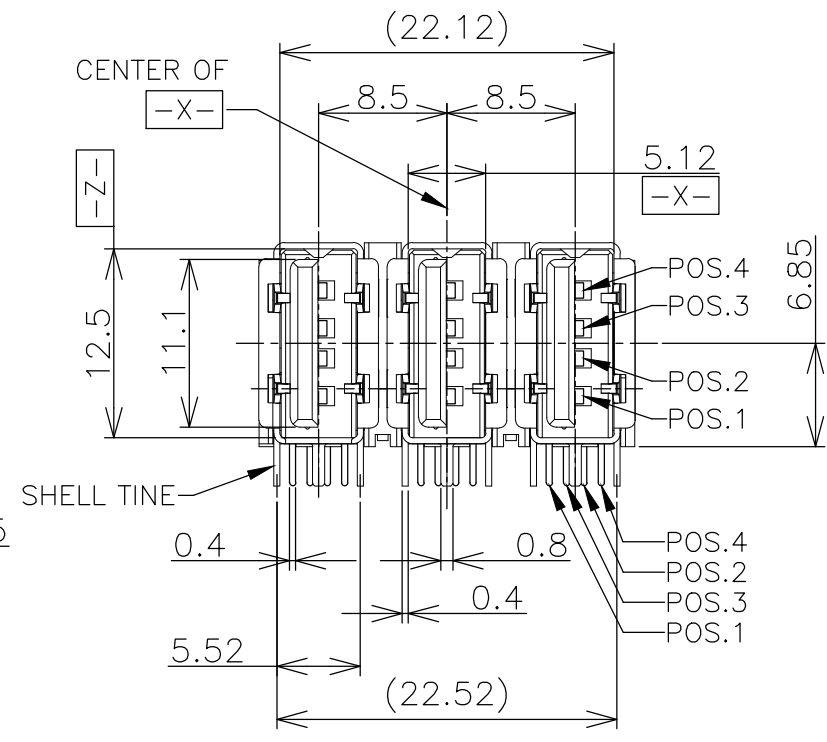
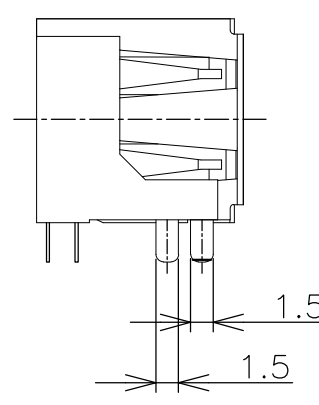
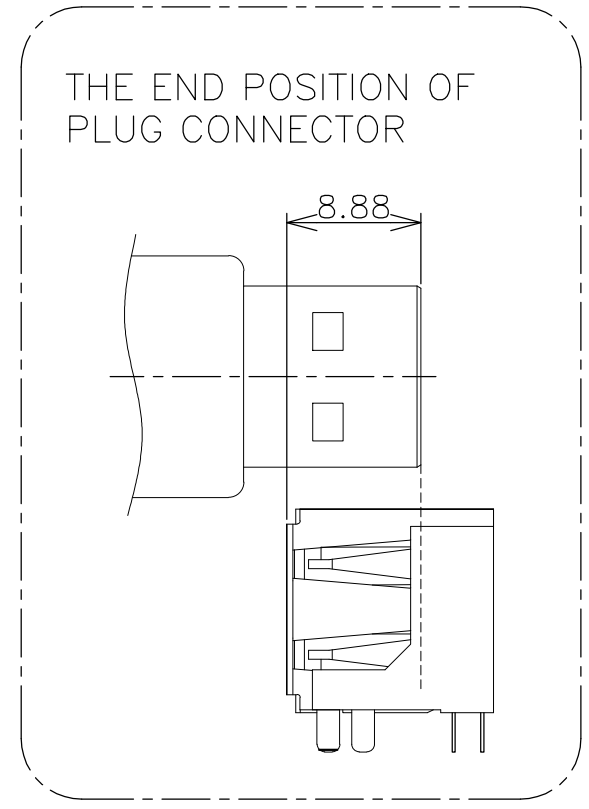
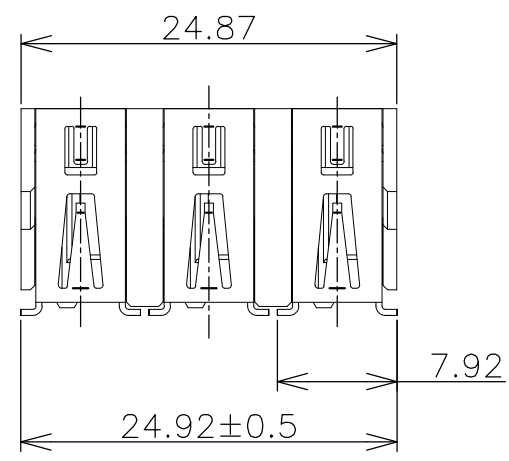
THIS DRAWING IS A CONTROLLED DOCUMENT.		DWN LEO ZHOU 13DEC04	Tyco Electronics AMP K.K. Kawasaki, Japan			
DIMENSIONS: MM		CHK STEVEN YAO 13DEC04				
TOLERANCES UNLESS OTHERWISE SPECIFIED:		APVD I. ENOMOTO 13DEC04	NAME			
0 PLC ± 0.3 1 PLC ± 0.3 2 PLC ± 0.3 3 PLC ± 0.3 4 PLC ± 0.3 ANGLES ± 3'		PRODUCT SPEC	HARD TRAY ASSY USB CONNECTOR REC 3P			
MATERIAL		FINISH	SIZE	CAGE CODE	DRAWING NO	RESTRICTED TO
①		②	A3	00779	1674453	
CUSTOMER DRAWING			SCALE 2:1	SHEET 1 OF 3	REV A1	

① OBSOLETE ⚠ FINISH 1674453-3 PART NO.

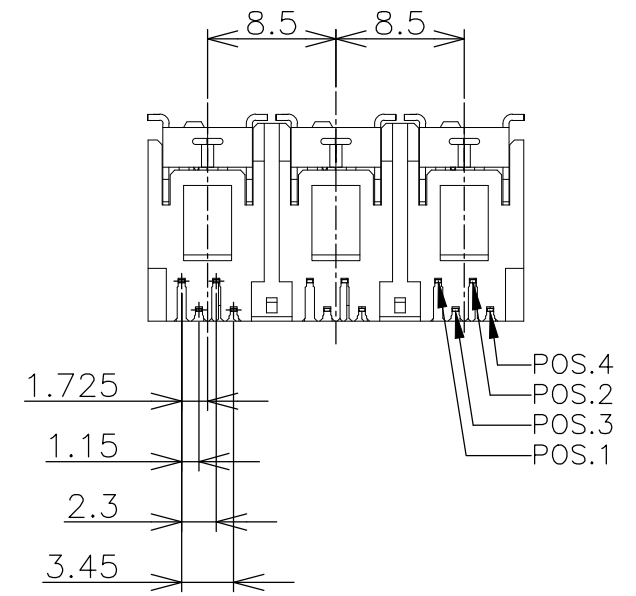
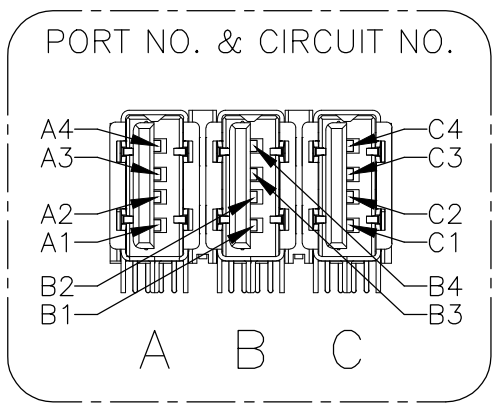
THIS DRAWING IS UNPUBLISHED. RELEASED FOR PUBLICATION
 © COPYRIGHT 2004 BY TYCO ELECTRONICS CORPORATION. ALL RIGHTS RESERVED.

LOC	DIST	REVISIONS			
P	LTR	DESCRIPTION	DATE	DWN	APVD
J	/	SEE SHEET 1			

FRONT SHELL	③
CONTACT	②
HOUSING	①
NAME	ITEM No.



- ① MATERIAL
 HOUSING: THERMO-PLASTICS UL94V-0 NATURAL
 CONTACT: COPPER ALLOY
 FRONT SHELL: COPPER ALLOY
- ② FINISH
 CONTACT: NICKEL UNDER PLATE ALL OVER.
 CONTACT AREA: GOLD PLATE
 TINE AREA: TIN PLATE
 FRONT SHELL: TIN PLATE



THIS DRAWING IS A CONTROLLED DOCUMENT.		DWN	tyco Electronics		Tyco Electronics AMP K.K. Kawasaki, Japan	
DIMENSIONS: MM		CHK			NAME	
TOLERANCES UNLESS OTHERWISE SPECIFIED:		APVD	PRODUCT SPEC		HARD TRAY ASSY USB CONNECTOR REC 3P	
0 PLC ± 0.3		APPLICATION SPEC	SIZE	CAGE CODE	DRAWING NO	RESTRICTED TO
1 PLC ± 0.3		WEIGHT	A3	00779	③-1674453	
2 PLC ± 0.3		CUSTOMER DRAWING				SCALE
3 PLC ± 0.3						2:1
4 PLC ± 0.3						SHEET
ANGLES ± 3°						2 OF 3
FINISH						REV
						A1

