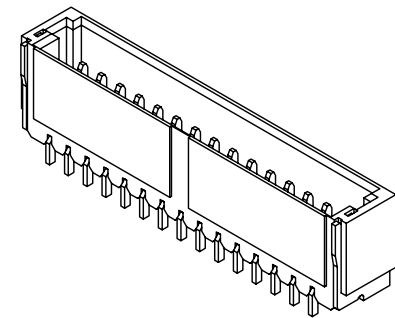
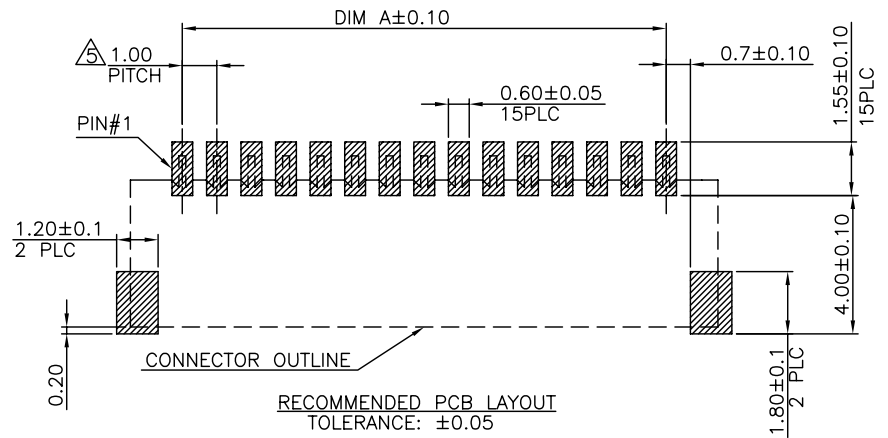
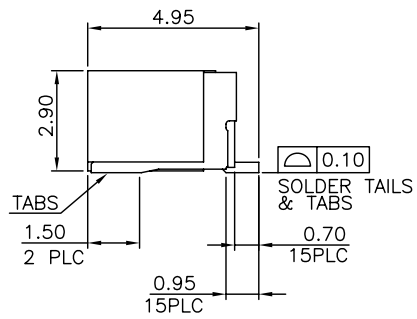
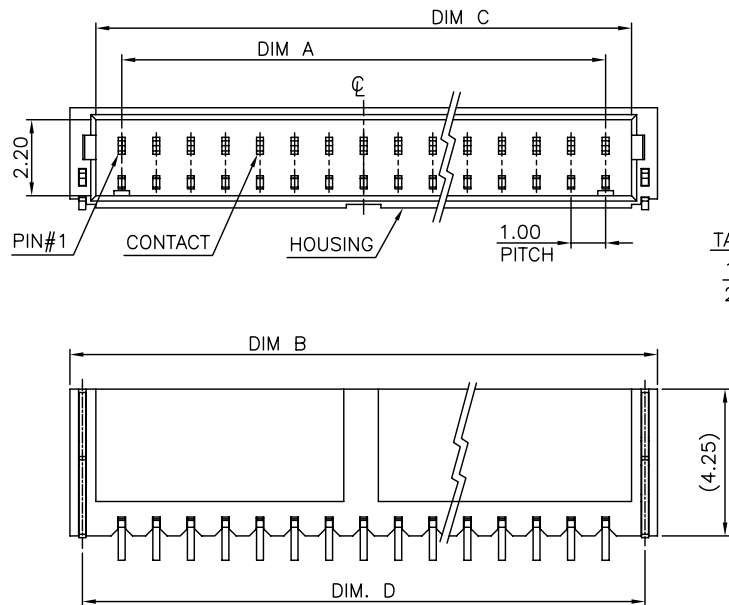


LOC		DIST		REVISIONS			
P	LTR	DESCRIPTION		DATE	DWN	APVD	
	A	RELEASED		11AUG09	FY	WK	



NOTE:

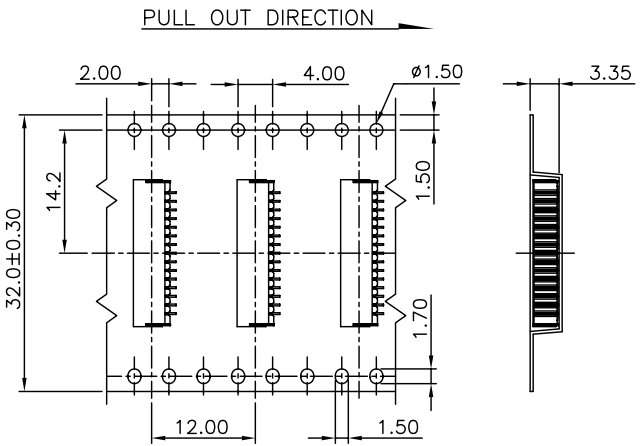
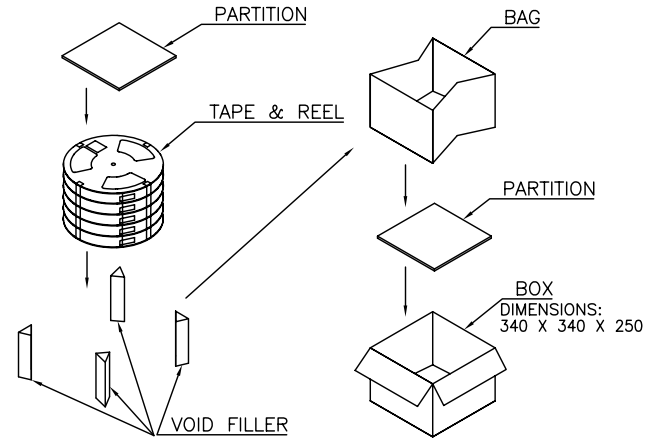
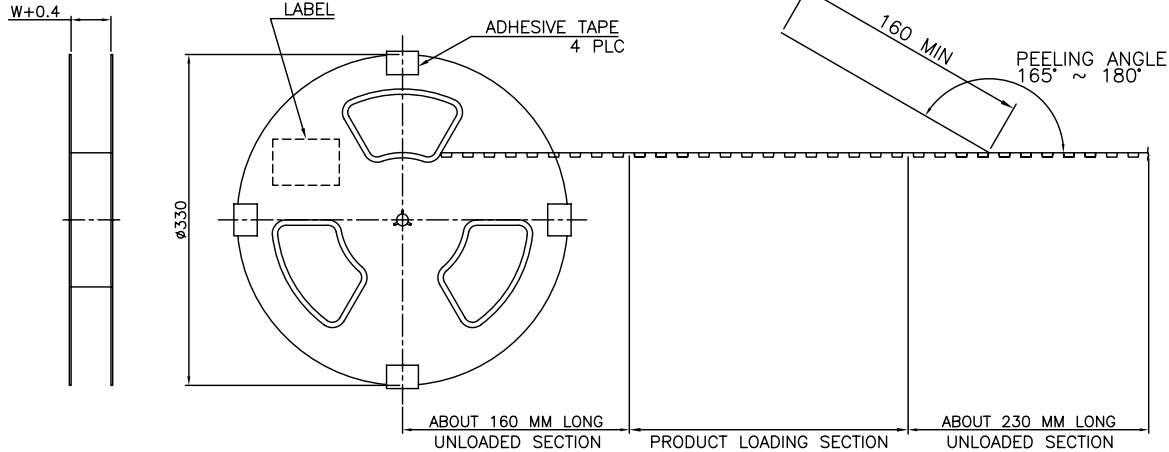
- MATERIAL:
HOUSING: LCP WITH 30% GF, UL 94V-0, COLOR: NATURAL.
CONTACTS: PHOSPHOR BRONZE, 0.2±0.05mm THICKNESS.
TABS: BRASS, 0.2±0.05mm THICKNESS.
- FINISH:
CONTACTS: 2.54µm [100µ"] MIN. MATTE-TIN OVER 1.27µm [50µ"] MIN. NICKEL PLATED.
TABS: 2.54µm [100µ"] MIN. MATTE-TIN OVER 1.27µm [50µ"] MIN. NICKEL PLATED.
- REFLOW SOLDER CAPABLE TO 260°C PER TE TEST SPEC. 109-201, CONDITION B.
- NO TE LOGO AND DATE CODE ON THE PRODUCT.
- NO ACCUMULATE TOLERANCE.
- LOW HALOGEN SPEC:
CHLORINE(Cl): 900ppm MAX.
BROMIN(Br): 900ppm MAX.
CHLORINE(Cl) & BROMIN(Br): 1500ppm MAX.

0.21g	16.6	15.50	17.30	14.00	15	1-2041191-5
0.08g	5.3	4.50	6.30	3.00	4	2041191-4
0.05g	3.3	2.50	4.30	1.00	2	2041191-2
WEIGHT	DIMENSIONS				NO. OF CONTACTS	PART NUMBER
	D	C	B	A		

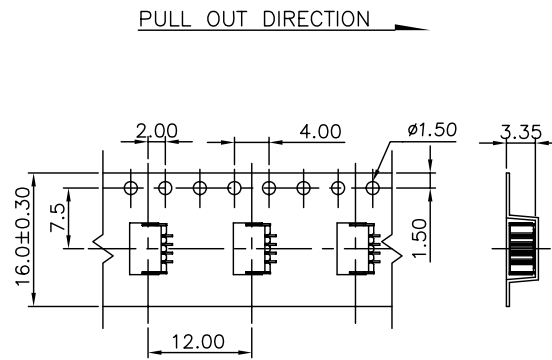
THIS DRAWING IS A CONTROLLED DOCUMENT.		DWN F. YANG 11AUG2009	Tyco Electronics Corporation Taipei, Taiwan	
DIMENSIONS: MM		CHK S. CHIEN 11AUG2009		
TOLERANCES UNLESS OTHERWISE SPECIFIED:		APVD W. KODAMA 11AUG2009	NAME	
		PRODUCT SPEC 108-57264	WIRE TO BOARD CONNECTOR, 1.0 PITCH, SIDE ENTRY, SINGLE ROW, SMT TYPE	
MATERIAL SEE NOTE		FINISH SEE NOTE	APPLICATION SPEC	RESTRICTED TO
		WEIGHT SEE TABLE	SIZE A3	CAGE CODE 00779
		CUSTOMER DRAWING	DRAWING NO G=2041191	SCALE -
			SHEET 1 OF 2	REV A

THIS DRAWING IS UNPUBLISHED. RELEASED FOR PUBLICATION AUG ,2006.
 © COPYRIGHT 2009 BY TYCO ELECTRONICS CORPORATION. ALL RIGHTS RESERVED.

LOC	DIST	REVISIONS			
P	LTR	DESCRIPTION	DATE	DWN	APVD
DW		SEE SHEET 1.			



CARRIER FOR 15PIN



CARRIER FOR 2-4PIN

PCS/ REEL	REELS/ BOX	QUANTITY (PCS)	G/W (kg)	N/W (kg)	NO. OF CONTACTS
1500	6	9000	5.48	1.89	15
1500	10	15000	5.60	1.20	4
1500	10	15000	5.15	0.90	2

THIS DRAWING IS A CONTROLLED DOCUMENT.

Tyco Electronics Tyco Electronics Corporation
Taipei, Taiwan

NAME: WIRE TO BOARD CONNECTOR, 1.0 PITCH, SIDE ENTRY, SINGLE ROW, SMT TYPE

SIZE: A3 CAGE CODE: 00779 DRAWING NO: G=2041191

RESTRICTED TO: []

SCALE: [] SHEET: 2 OF 2 REV: A

CUSTOMER DRAWING