

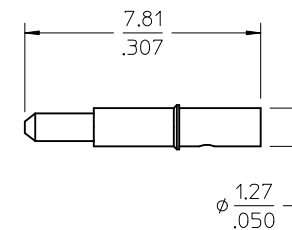
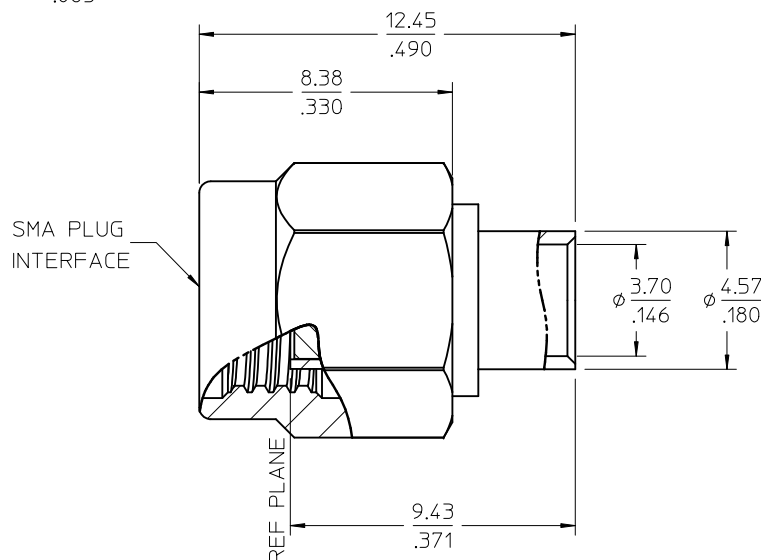
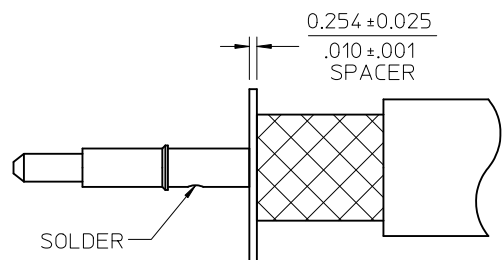
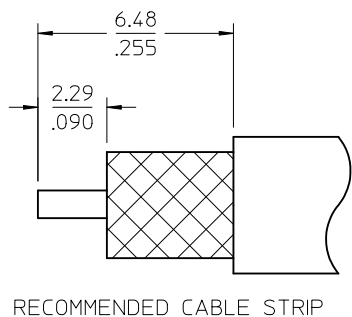
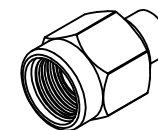
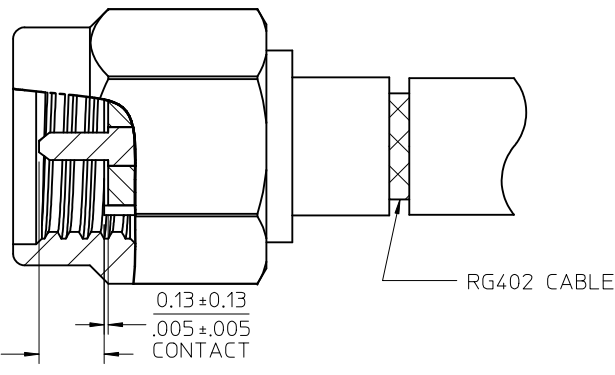
MATERIALS AND FINISHES

BODY, COUPLING NUT SEE TABLE
PLATED SEE TABLE

CENTER CONTACT BRASS
PLATED GOLD

INSULATOR TEFLON

GASKET SILCONE RUBBER



PS-89675-3460	ELECTRO/MECH PERFORM.
MIL-STD-348A, FIG. 310.1	INTERFACE
SPECIFICATION	DESCRIPTION

73251-0733	GOLD	PASSIVATED	STAINLESS STEEL
73251-0732	GOLD	GOLD	STAINLESS STEEL
73251-0731	TRI-METAL	NICKEL	BRASS
73251-0730	GOLD	GOLD	BRASS
PART NO.	PLATING, BODY	PLATING, COUPLING NUT	MATERIAL

CHG: DELETE AS-89678-8400 PS WAS -1100 ADD INTERFACE VIEW EC NO: URF2011-0492 DRWN: WIENER 2011/02/16 CHKD: SSS 2011/02/16 APPR: WIENER 2011/02/23 REV: A3	QUALITY SYMBOLS ▽=0 ▽=0	GENERAL TOLERANCES (UNLESS SPECIFIED) mm INCH 4 PLACES ± --- ± --- 3 PLACES ± --- ± --- 2 PLACES ± --- ± --- 1 PLACE ± --- ± --- ANGULAR ± 2 °	DIMENSION STYLE MM/IN DRAWN BY DATE SSS 2000/07/06 CHECKED BY DATE TEF 2000/07/06 APPROVED BY DATE GMH 2000/07/06	SCALE DESIGN UNITS METRIC THIRD ANGLE PROJECTION	TITLE SMA PLUG STR RG402 50 OHMS, EWR-3418 SMA-PC	MATERIAL NO. SEE TABLE	DOCUMENT NO. SD-73251-073	SHEET NO. 1 OF 1	
		DRAFT WHERE APPLICABLE MUST REMAIN WITHIN DIMENSIONS		THIS DRAWING CONTAINS INFORMATION THAT IS PROPRIETARY TO MOLEX INCORPORATED AND SHOULD NOT BE USED WITHOUT WRITTEN PERMISSION		MOLEX MOLEX INCORPORATED			