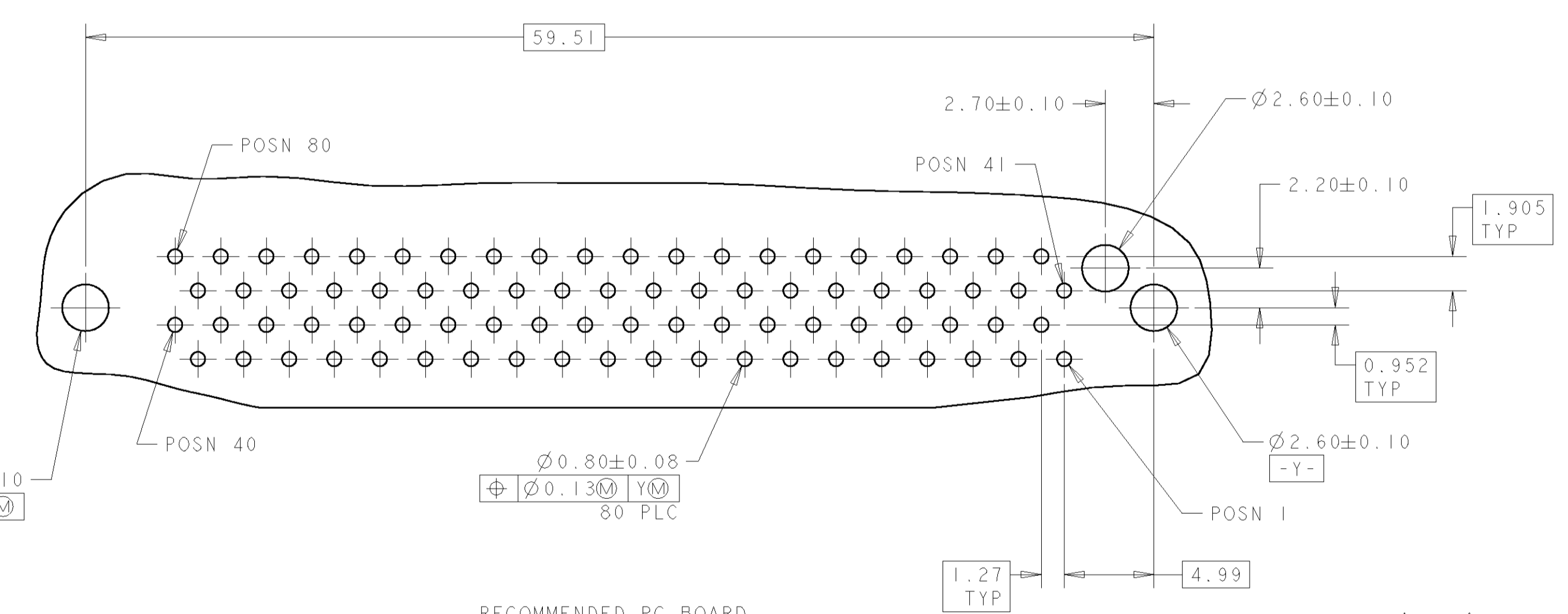
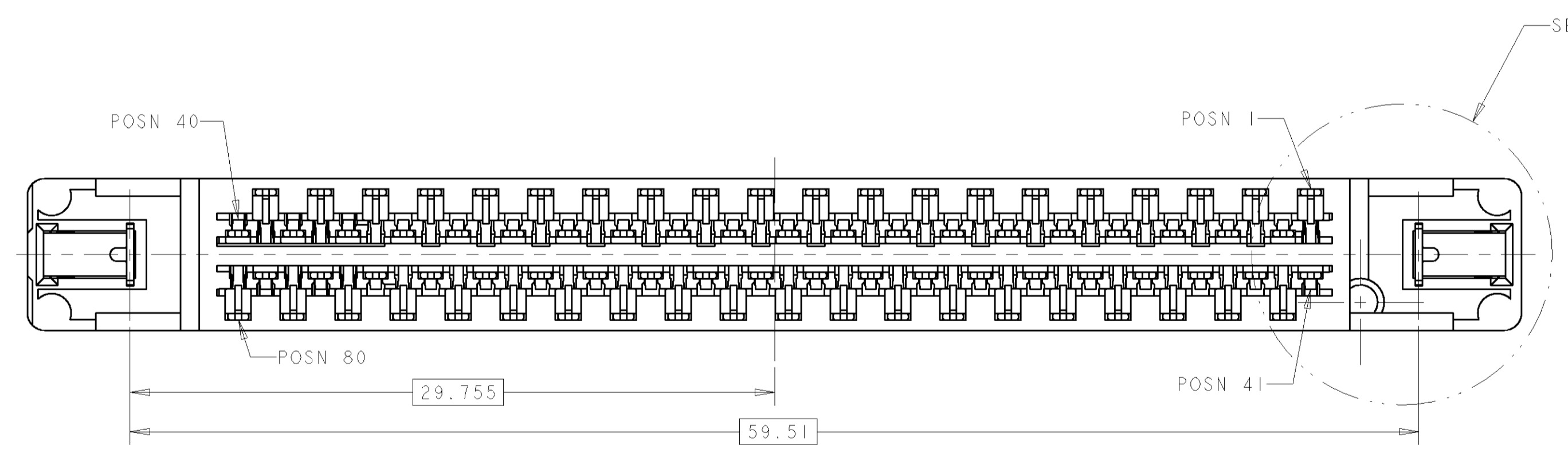
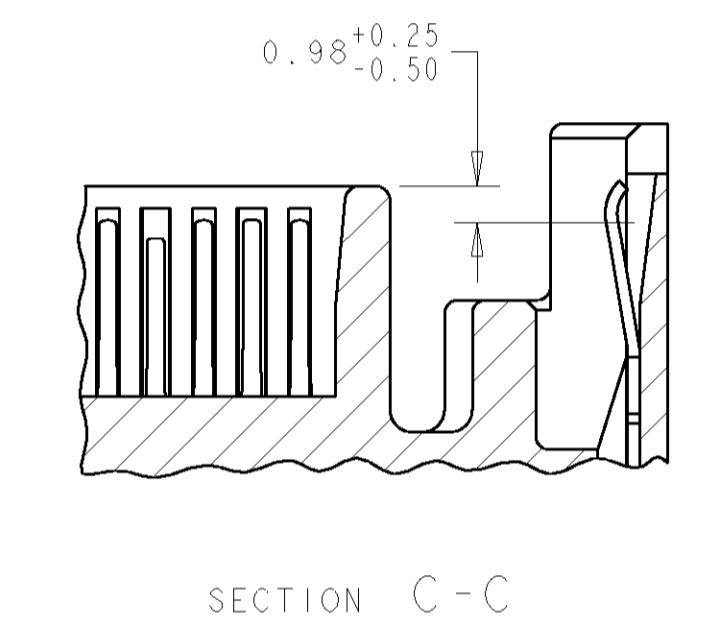
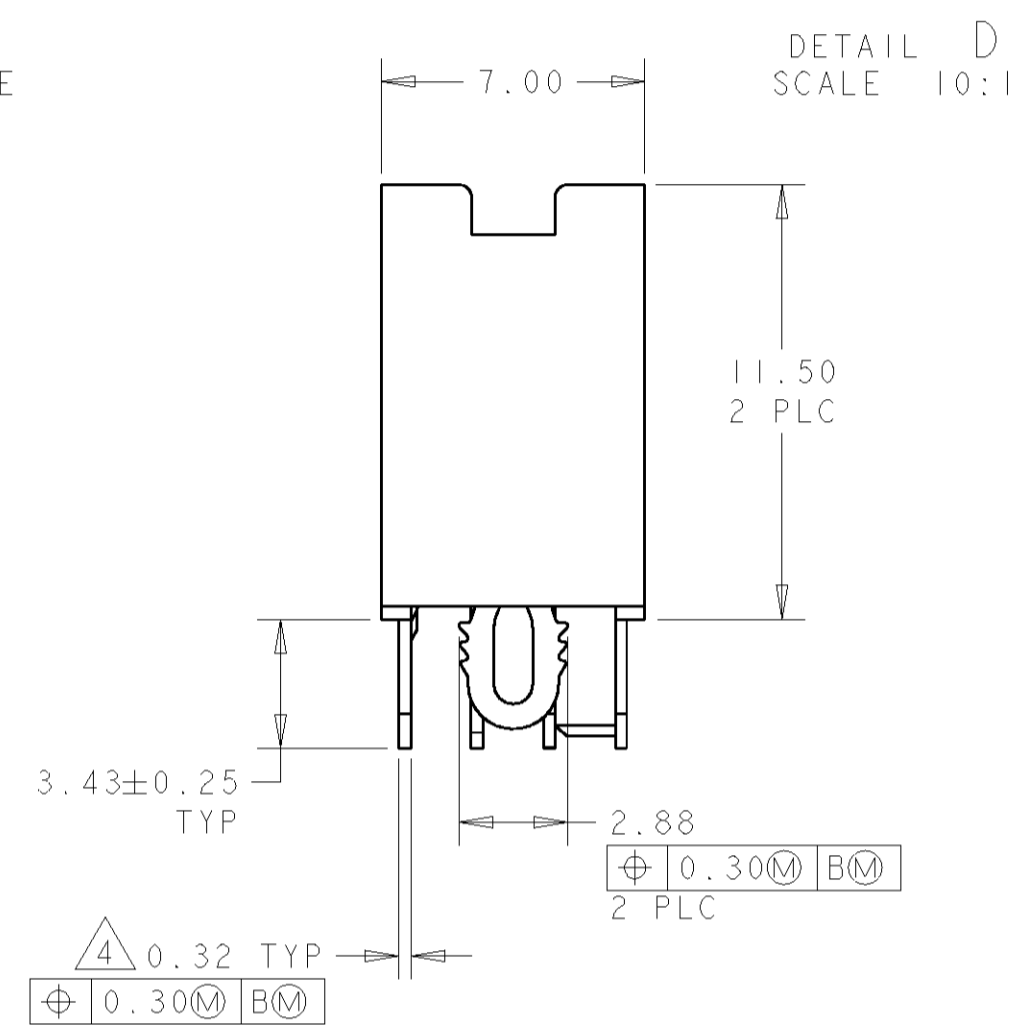
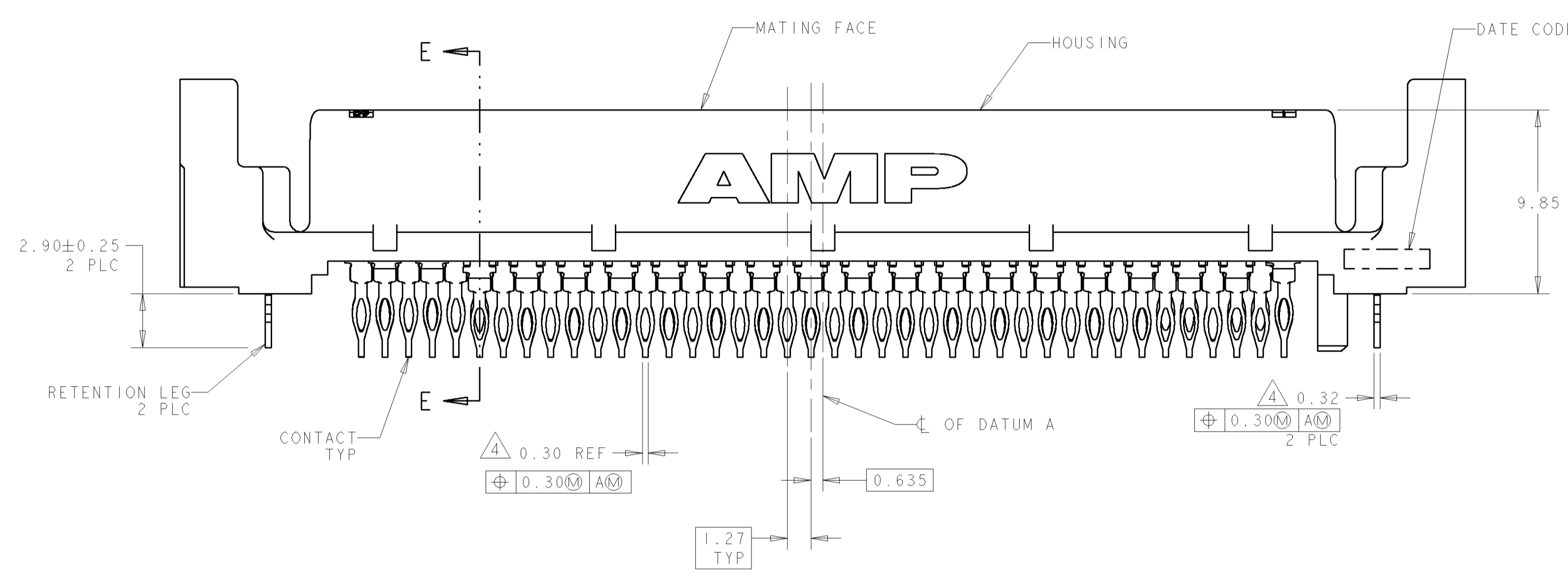
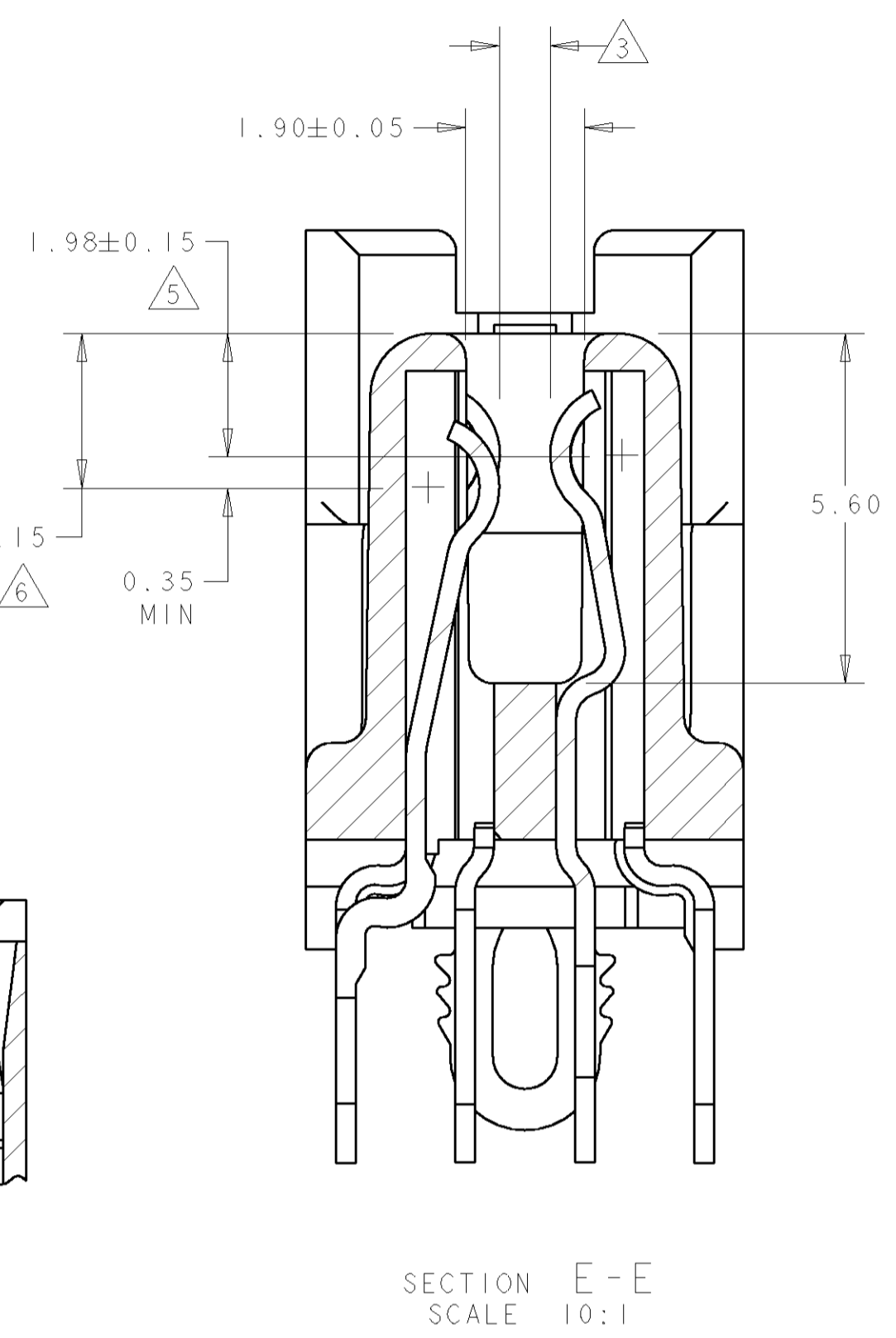
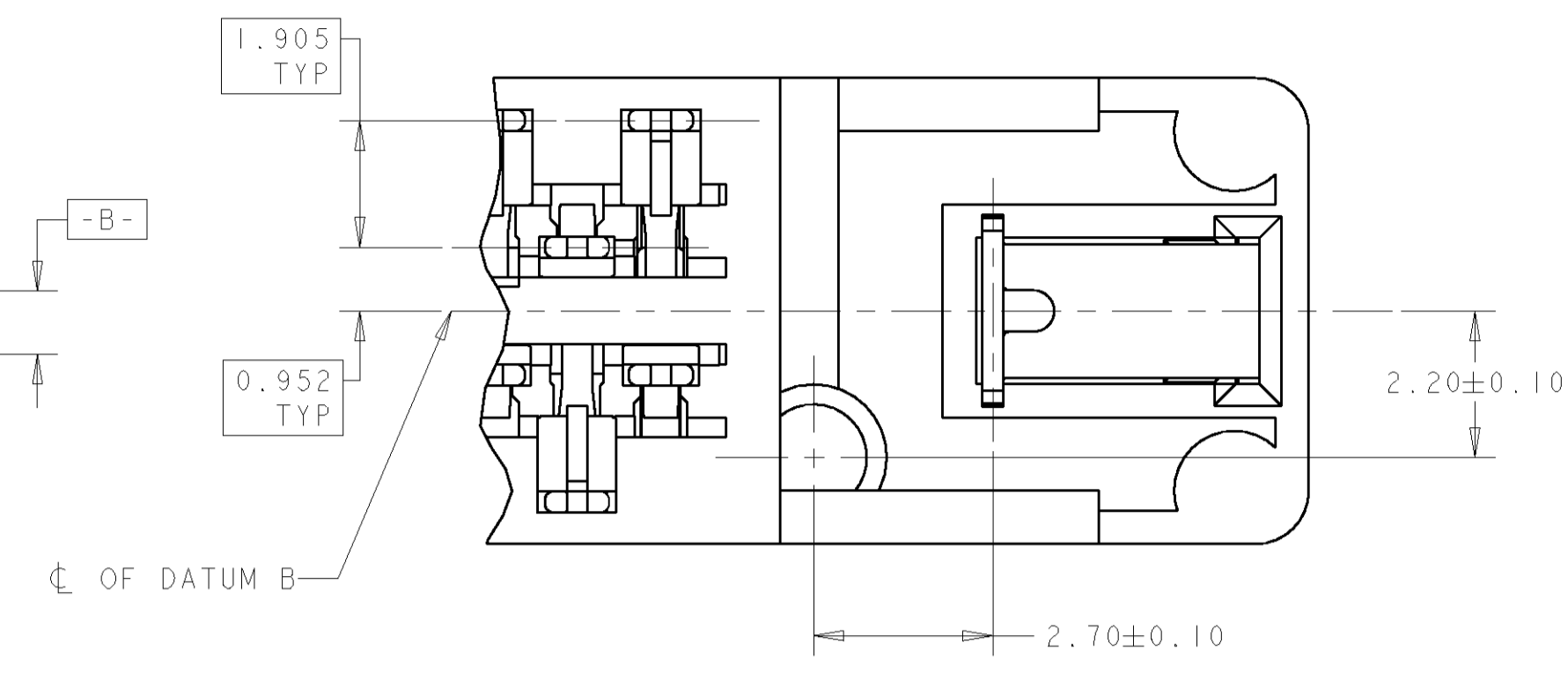
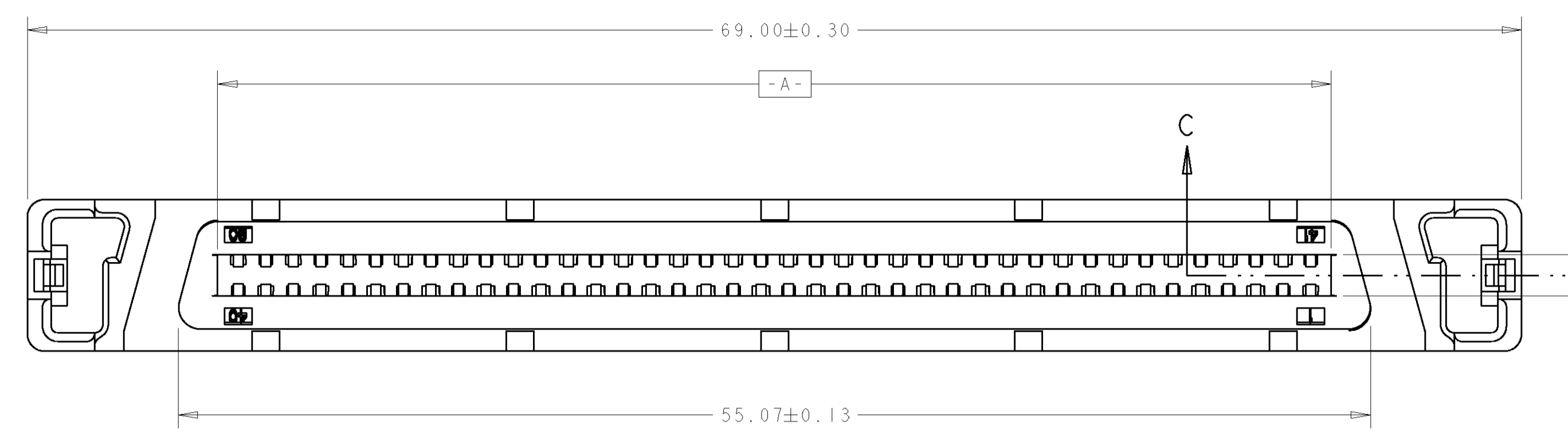


LOC	DIST	REVISIONS					
GP	00	P	LTR	DESCRIPTION	DATE	DWN	APVD
		H		REVISED PER EC 0513-0254-05	02JUN06	BM	EB
		J		REVISED PER EC 0513-0311-05	02JUN06	BM	EB
		J1		REVISED PER ECO-10-000445	09JAN10	KK	AEG



- △ HOUSING: LCP; UL 94V-0 RATED, BLACK.
CONTACTS: PHOSPHOR BRONZE.
RETENTION LEG: BRASS.
 - △ CONTACTS: 0.76µm GOLD FOR A LENGTH OF 1.20 MIN STARTING 0.50 MAX FROM MATING END, 1.27µm-3.81µm TIN-LEAD FOR A LENGTH OF 3.43 MIN FROM OPPOSITE END, BOTH OVER 1.27µm MIN NICKEL.
 - △ CONNECTOR WILL ACCOMMODATE MATING PRINTED CIRCUIT BOARD OF 1.60±0.07 THICKNESS.
 - △ POSITION TOLERANCE APPLIES AT CONTACT TIP ONLY.
 - △ DIMENSION APPLIES TO CONTACTS 1, 36 THRU 40, 41 THRU 43, 45, 46 AND 75 THRU 80.
 - △ DIMENSION APPLIES TO CONTACTS 2 THRU 35, 44, AND 47 THRU 74.
 - △ RETENTION LEG: 3.81µm MIN TIN-LEAD OVER 1.27µm MIN NICKEL.
 - △ RECOMMENDED PC BOARD THICKNESS IS 2.36 TO 3.81.
 - △ CONTACTS: 0.76µm GOLD FOR A LENGTH OF 1.20 MIN STARTING 0.50 MAX FROM MATING END, 1.27µm-3.81µm MATTE TIN FOR A LENGTH OF 3.43 MIN FROM OPPOSITE END, BOTH OVER 1.27µm MIN NICKEL.
 - △ RETENTION LEGS: 3.81µm MIN HALT TIN.
 - △ CONTACTS: 0.38µm GOLD FOR A LENGTH OF 1.20 MIN STARTING 0.50 MAX FROM MATING END, 1.27µm-3.81µm MATTE TIN FOR A LENGTH OF 3.43 MIN FROM OPPOSITE END, BOTH OVER 1.27µm MIN NICKEL.
 - △ CONTACTS: 0.38µm GOLD FOR A LENGTH OF 1.20 MIN STARTING 0.50 MAX FROM MATING END, 1.27µm-3.81µm TIN-LEAD FOR A LENGTH OF 3.43 MIN FROM OPPOSITE END, BOTH OVER 1.27µm MIN NICKEL.
- 13** **OBSELETE PARTS: OBSELETE CIS STREAMLINING PER D.RENAUD/D.SINISI**

RECOMMENDED PC BOARD MOUNTING DIMENSIONS COMPONENT SIDE SCALE 4:1

FINISH	PART NUMBER
7	787900-4
10	787900-3
9	787900-2
2	787900-1

DIMENSIONS: mm TOLERANCES UNLESS OTHERWISE SPECIFIED: 0 PLC ± 1 PLC ±0.13 2 PLC ± 3 PLC ± 4 PLC ± MATERIAL: SEE TABLE FINISH: SEE TABLE		DWN: R. FOLTZ 13-Sep-96 CHK: J. SWANK 17-Sep-96 APVD: J. SWANK 17-Sep-96 PRODUCT SPEC: 108-1548 APPLICATION SPEC: WEIGHT: CUSTOMER DRAWING:	tyco AMP Incorporated Harrisburg, PA 17105-3608 NAME: RECEPTACLE ASSEMBLY, VERTICAL, 80 POSITION, PRESS FIT, CHAMP™ BLINDMATE .050 SERIES I SIZE: A100779C=787900 SCALE: 2:1 SHEET 1 OF 1 REV J1
---	--	---	---