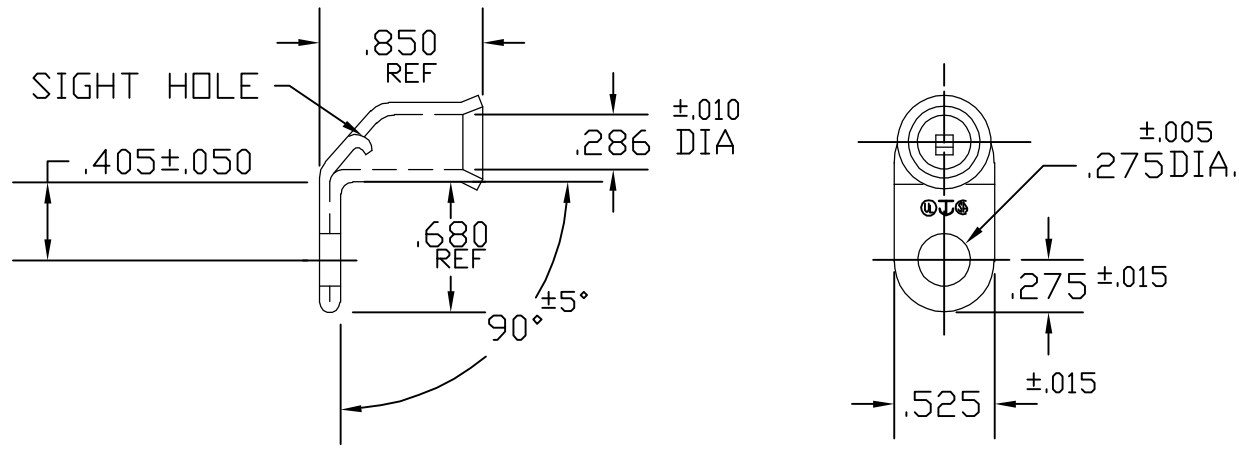


THIS DRAWING IS UNPUBLISHED. RELEASED FOR PUBLICATION  
 © COPYRIGHT - BY TYCO ELECTRONICS CORPORATION. ALL RIGHTS RESERVED.

LOC	DIST	REVISIONS					
		P	LTR	DESCRIPTION	DATE	DWN	APVD
G	50		A1	REVISED PER ECR-06-009580	28APR06	HMR	JR



ACTIVE	4141-11-90	STANDARD	TIN PLATE	1526234-2
OBSOLETE	4141-10-90	STANDARD	PLAIN	1526234-1
STATUS	AET P/N	PACKAGING	FINISH	PART NUMBER

THIS DRAWING IS A CONTROLLED DOCUMENT.		DWN D.A.A 10/17/00	Tyco Electronics Corporation Harrisburg, PA 17105-3608		
DIMENSIONS: INCHES		CHK H.D.F 10/17/00			
		APVD H.D.F 10/17/00	NAME 4 STANDARD TERMINAL W/SIGHT HOLE & BENT 90		
TOLERANCES UNLESS OTHERWISE SPECIFIED:		PRODUCT SPEC	SIZE		
0 PLC ± -	FINISH	APPLICATION SPEC	CAGE CODE	DRAWING NO	RESTRICTED TO
1 PLC ± -		—	A3	00779	—
2 PLC ± -		—	C-1526234		—
3 PLC ± -		—	CUSTOMER DRAWING		—
4 PLC ± -	—	WEIGHT	SCALE	SHEET	REV
ANGLES ± -	—	—	1:1	1 OF 1	A1
MATERIAL COPPER ASTM B-152	—				