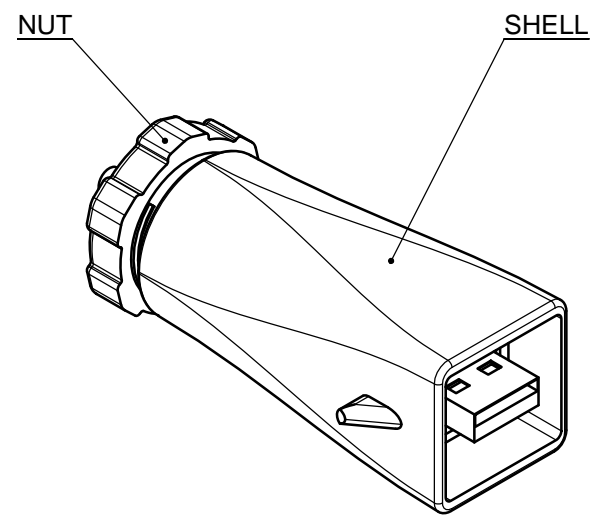
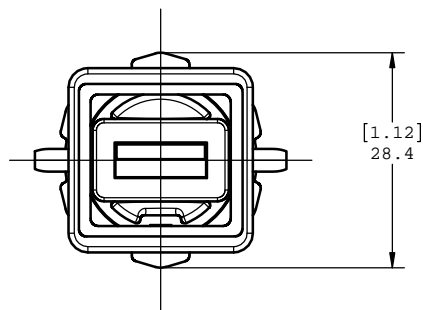
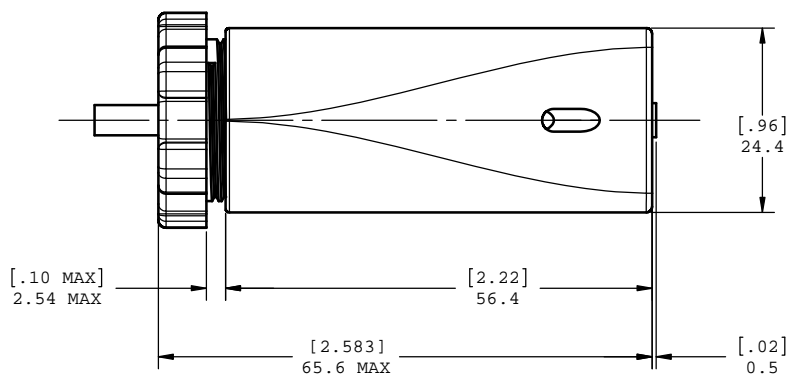
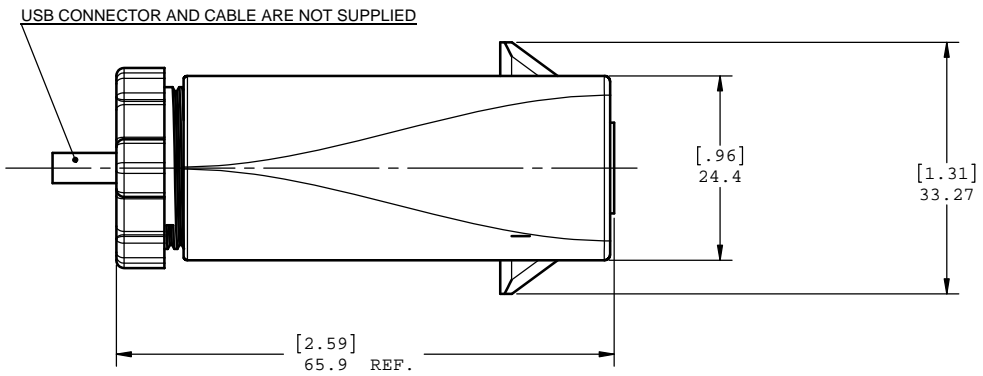


REV - DESCRIPT - DATE - APPRVD



NOTES:

- MATERIAL:
 - SHELL: ZINC ALLOY DIE CAST, 3 MICRONS [120 MICRO"] MIN NICKEL OVERALL.
 - NUT: ZINC ALLOY DIE CAST, 3 MICRONS [120 MICRO"] MIN NICKEL OVERALL.
 - GASKETS: SILICONE RUBBER.
- OPERATING TEMPERATURE: -40°C TO +105°C.
- ENVIROMENT PERFORMANCE: IP67.
- CONNECTOR IS ROHS COMPLIANT PER EU DIRECTIVE 2002/95/EC AND AMENDMENTS.
- PART NUMBER FOR ORDER IS ID651-000.



UNLESS OTHERWISE SPECIFIED DIMENSIONS ARE IN MILLIMETER TOLERANCES ARE:		APPROVALS	DATE	Amphenol Canada Corp.		
DECIMALS ANGLES		DRAWN	FEB22/07			
.XX ±.10	± 1°	S.SEMENOV		TITLE		
.X ±.25		DESIGNED	FEB22/07			
MATERIAL AND FINISH		CHECKED		USB PLUG		
REF.		QA APP'D				
CODE IDENT. NO.		IE APP'D		SIZE	DWG. NO.	REV.
		DWG APP'D	FEB22/07	C	P-ID651-000	2B
		A.GREEN		SCALE	PROJECT	SHEET
				2:1	ID	1 OF 1

DO NOT SCALE DRAWING
 THIS DOCUMENT CONTAINS PROPRIETARY INFORMATION AND SUCH INFORMATION MAY NOT BE DISCLOSED TO OTHERS FOR ANY PURPOSE OR USED FOR MANUFACTURING PURPOSES WITHOUT PERMISSION FROM AMPHENOL CANADA CORP.