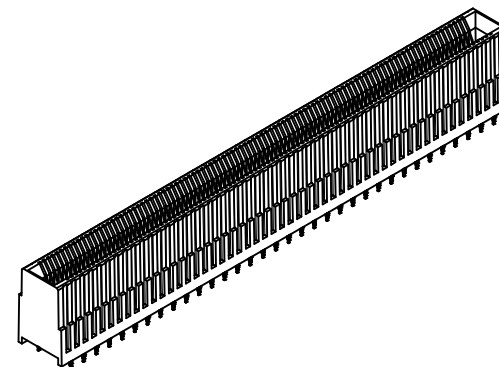
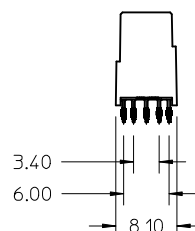
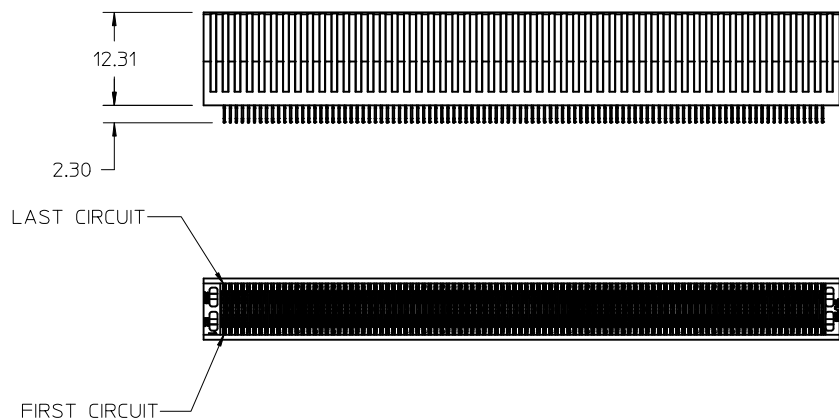


2 BAY EDGE LINE



1 BAY EDGE LINE

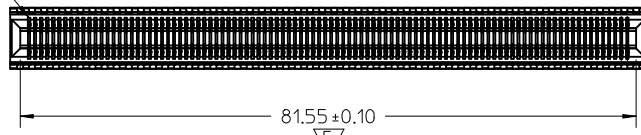


PART NUMBER	VERSION	BAY 1/BAY 2	TOTAL CIRCUITS	DIM A	SALES DRAWING (SEE NOTE 9)
76693-2294	2 BAY	122/172	294	125.03	SD-76693-110
76693-2274*	2 BAY	122/172	294	125.03	SD-76693-107
76693-2278	2 BAY	146/132	278	118.63	SD-76693-2278
76693-1200	1 BAY	200	200	84.20	SD-76693-1200
76693-1170	1 BAY	170	170	72.20	SD-76693-103
76693-3170	1 BAY	170	170	72.20	SD-76693-3170

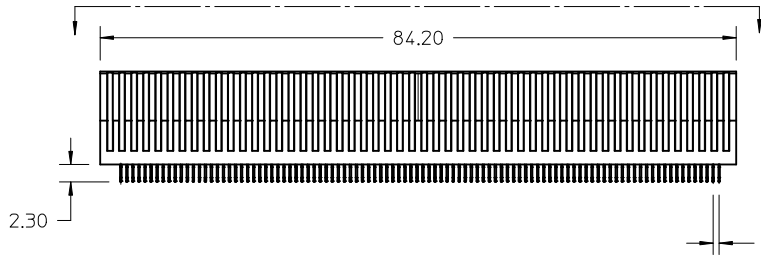
- NOTES:
- MATERIAL:  
HOUSING - GLASS FILLED THERMOPLASTIC, 94-V0, BLACK  
TERMINALS - COPPER ALLOY
  - FINISH:  
CONTACT AREA: HARD GOLD -0.76µm MIN OVER 3.80µ NICKEL  
COMPLIANT AREA: TIN - 0.76/1.52µm OVER NICKEL  
\* SPECIAL FINISH:  
CONTACT AREA: HARD GOLD -1.27µm MIN OVER 3.80µ NICKEL  
COMPLIANT AREA: TIN - 0.76/1.52µm OVER NICKEL
  - REFER TO PS-75594-999 PRODUCT SPECIFICATION FOR ALL ELECTRICAL, MECHANICAL AND ENVIROMENTAL SPECIFICATIONS.
  - REFER TO PK-76693-900 FOR ALL PACKAGING SPECIFICATIONS.
  - PROCESSING: PRESSFIT TO PC BOARD.
  - MATING PC BOARD THICKNESS = 2.36±0.16MM OVER CONTACT PADS.
  - PRODUCT IS ELV AND RoHS COMPLIANT. LEVEL OF COMPLIANCE: 6/6  
ALL BANNED SUBSTANCES ARE REMOVED:  
Pb (LEAD)  
HEXAVALENT CHROMIUM (CrVI)  
CADMIUM  
MERCURY  
POLYBRMINATED BIPHENYL (PBB)  
POLYBROMINATED DIPHENYL ETHER (PBDE)
  - THIS PART CONFORMS TO CLASS B REQUIREMENTS OF COSMETIC SPEC PS-45499-002
  - FOR EDGE CARD AND MOUNTING PCB LAYOUT DETAIL SEE CORRESPONDING SALES DRAWING.

<b>REDRAWN DRAWING</b> EC NO: UCP2011-2702 DRWNG: DROSCA 2011/03/07 CHKD: JCOMERCI 2011/03/28 APPR: JCOMERCI 2011/03/28	QUALITY SYMBOLS ▽ = 0 ▽ = 0 ▽ = 0	GENERAL TOLERANCES (UNLESS SPECIFIED) <table border="1"> <thead> <tr> <th></th> <th>mm</th> <th>INCH</th> </tr> </thead> <tbody> <tr> <td>4 PLACES</td> <td>± 0.15</td> <td>± 0.006</td> </tr> <tr> <td>3 PLACES</td> <td>± 0.20</td> <td>± 0.008</td> </tr> <tr> <td>2 PLACES</td> <td>± 0.25</td> <td>± 0.010</td> </tr> <tr> <td>1 PLACE</td> <td>± 0.30</td> <td>± 0.012</td> </tr> </tbody> </table>		mm	INCH	4 PLACES	± 0.15	± 0.006	3 PLACES	± 0.20	± 0.008	2 PLACES	± 0.25	± 0.010	1 PLACE	± 0.30	± 0.012	DIMENSION STYLE <b>MM ONLY</b> DRAWN BY DATE DROSCA 07/21/08 CHECKED BY DATE JCOMERCI 07/21/08 APPROVED BY DATE JCOMERCI 2010/10/25	SCALE <b>2:1</b> DESIGN UNITS <b>METRIC</b> THIRD ANGLE PROJECTION	TITLE <b>EDGE LINE 12.5GB          0.093"PCB 0.8MM PITCH</b>
		mm	INCH																	
	4 PLACES	± 0.15	± 0.006																	
3 PLACES	± 0.20	± 0.008																		
2 PLACES	± 0.25	± 0.010																		
1 PLACE	± 0.30	± 0.012																		
MATERIAL NO. <b>SEE TABLE</b>	DOCUMENT NO. <b>SD-76693-100</b>	SHEET NO. <b>1 OF 1</b>																		
DRAFT WHERE APPLICABLE MUST REMAIN WITHIN DIMENSIONS			THIS DRAWING CONTAINS INFORMATION THAT IS PROPRIETARY TO MOLEX INCORPORATED AND SHOULD NOT BE USED WITHOUT WRITTEN PERMISSION																	

CIRCUIT #1



PIN-OUT VIEW

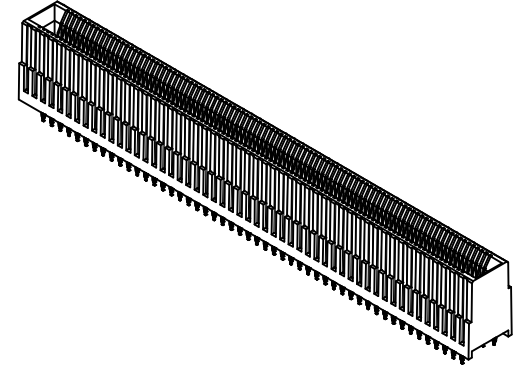
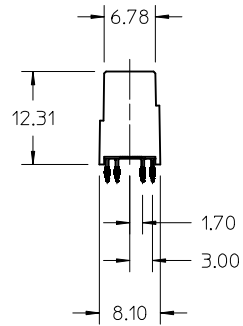


CIRCUIT #200

CIRCUIT #101

CIRCUIT #1

CIRCUIT #100

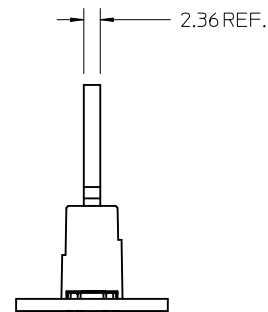
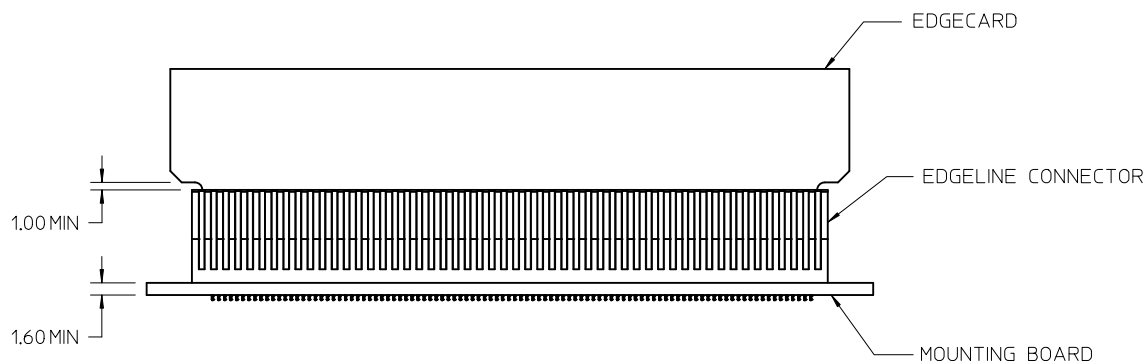


NOTES:

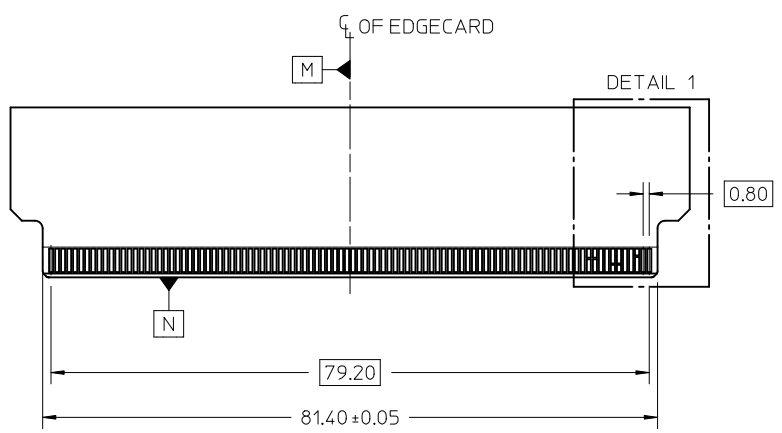
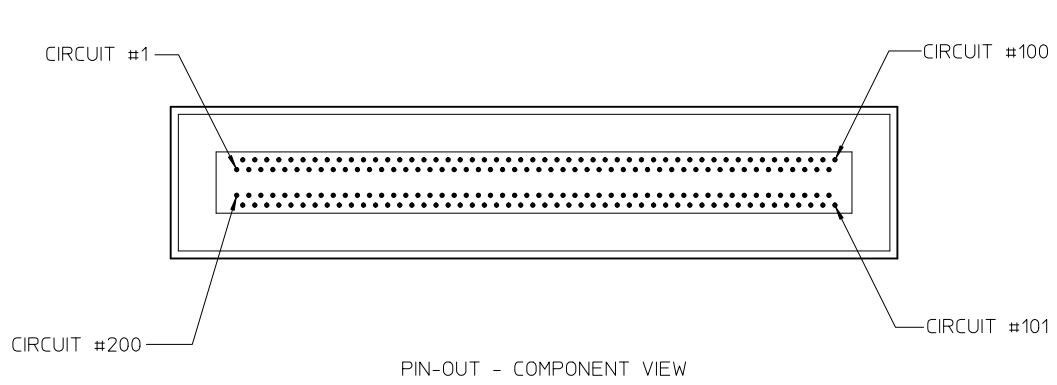
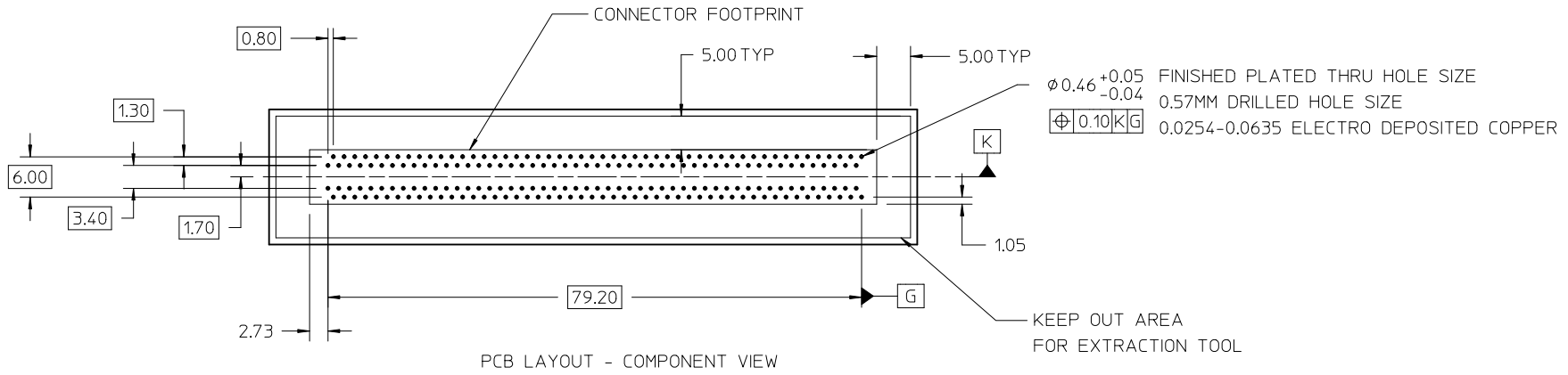
1. MATERIAL:  
HOUSING - GLASS FILLED THERMOPLASTIC, 94-V0, BLACK  
TERMINALS - COPPER ALLOY
2. FINISH:  
CONTACT AREA: HARD GOLD -0.76µm MIN OVER 3.80µ NICKEL  
COMPLIANT AREA: TIN - 0.76/1.52µm OVER NICKEL
3. REFER TO PS-75594-999 PRODUCT SPECIFICATION FOR ALL ELECTRICAL, MECHANICAL AND ENVIROMENTAL SPECIFICATIONS.
4. REFER TO PK-76693-900 FOR ALL PACKAGING SPECIFICATIONS.
5. PROCESSING: PRESSFIT TO PC BOARD.
6. MATING PC BOARD THICKNESS = 2.36±0.16MM OVER CONTACT PADS.
7. PRODUCT IS ELV AND RoHS COMPLIANT. LEVEL OF COMPLIANCE: 6/6  
ALL BANNED SUBSTANCES ARE REMOVED:  
Pb (LEAD)  
HEXAVALENT CHROMIUM (CrVI)  
CADMIUM  
MERCURY  
POLYBRMINATED BIPHENYL (PBB)  
POLYBROMINATED DIPHENYL ETHER (PBDE)
8. THIS PART CONFORMS TO CLASS B REQUIREMENTS OF COSMETIC SPEC PS-45499-002

REV A UCP2011-2702 DRW: DROSCA 2011/03/23 CHKD: JCOMERCI 2011/03/28 APPR: JCOMERCI 2011/03/28	QUALITY SYMBOLS	GENERAL TOLERANCES (UNLESS SPECIFIED)		DIMENSION STYLE <b>MM ONLY</b>		SCALE <b>2:1</b>	DESIGN UNITS <b>METRIC</b>	THIRD ANGLE PROJECTION	
	▽ = 0	mm	INCH	DRAWN BY DROSCA	DATE 2011/03/23	TITLE <b>EDGE LINE 12.5GB 200CKTS 0.093" PCB 0.8MM PITCH</b>			
	▽ = 1			CHECKED BY JCOMERCI	DATE 2011/03/28				
	▽ = 1			APPROVED BY JCOMERCI		DATE 2011/03/28	MOLEX INCORPORATED		
REV A	DRAFT WHERE APPLICABLE MUST REMAIN WITHIN DIMENSIONS		MATERIAL NO. <b>766931200</b>		DOCUMENT NO. <b>SD-76693-1200</b>		SHEET NO. <b>1 OF 4</b>		
SIZE C THIS DRAWING CONTAINS INFORMATION THAT IS PROPRIETARY TO MOLEX INCORPORATED AND SHOULD NOT BE USED WITHOUT WRITTEN PERMISSION									

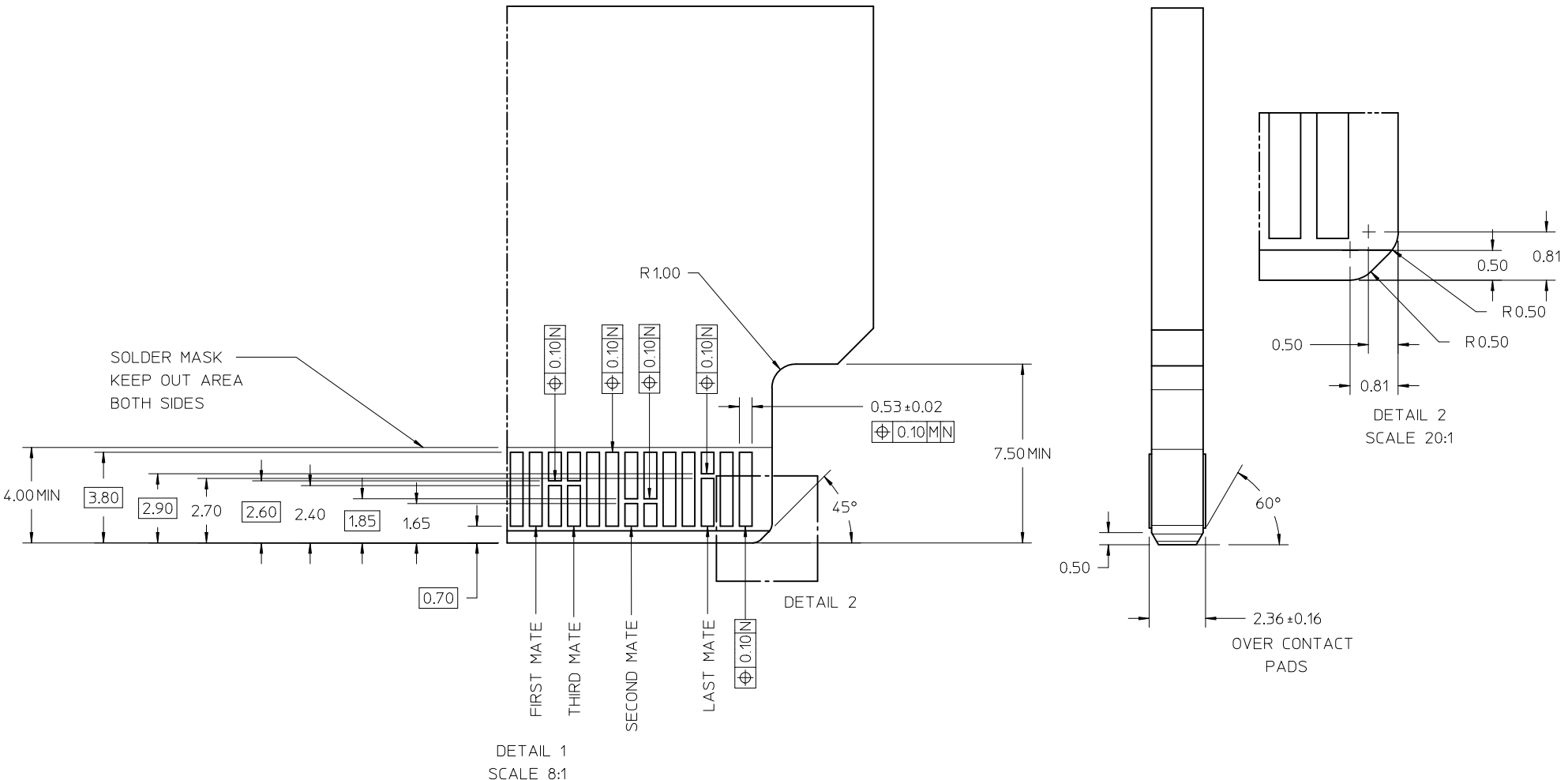
# EDGELINE CONNECTOR BOARD MOUNTING



SEE SHEET 1 EC NO: UCP2011-z702 DRW: DROSCA 2011/03/23 CHKD: JCOMERC I 2011/03/28 APPR: JCOMERC I 2011/03/28	REV A	DESCRIPTION EDGELINE CONNECTOR BOARD MOUNTING	QUALITY SYMBOLS ▽=0 ▽=0	GENERAL TOLERANCES (UNLESS SPECIFIED)		DIMENSION STYLE <b>MM ONLY</b>		SCALE <b>2:1</b>	DESIGN UNITS <b>METRIC</b>	THIRD ANGLE PROJECTION 			
								DRAWN BY DROSCA	DATE 2011/03/23	TITLE <b>EDGELINE 12.5GB 200CKTS 0.093" PCB 0.8MM PITCH</b>			
				4 PLACES ± --- ± ---	3 PLACES ± --- ± ---	2 PLACES ± 0.15 ± ---	1 PLACE ± 0.25 ± ---	CHECKED BY JCOMERC I	DATE 2011/03/28				
				ANGULAR ± 1/2°				DRAFT WHERE APPLICABLE MUST REMAIN WITHIN DIMENSIONS		APPROVED BY JCOMERC I		DATE 2011/03/28	
								DOCUMENT NO. <b>SD-76693-1200</b>		SHEET NO. 2 OF 4			



SEE SHEET 1 EC NO: UCP2011-2702 DRWN: DROSCA 2011/03/23 CHKD: JCOMERC I 2011/03/28 APPR: JCOMERC I 2011/03/28	QUALITY SYMBOLS ▽=0 ▽=0 ▽=0	GENERAL TOLERANCES (UNLESS SPECIFIED)		DIMENSION STYLE <b>MM ONLY</b>		SCALE <b>2:1</b>	DESIGN UNITS METRIC	THIRD ANGLE PROJECTION	
		4 PLACES ± --- ± ---	DRAWN BY DROSCA	DATE 2011/03/23	TITLE <b>EDGE LINE 12.5GB 200CKTS                  0.093" PCB 0.8MM PITCH</b>				
		3 PLACES ± --- ± ---	CHECKED BY JCOMERC I	DATE 2011/03/28	MOLEX INCORPORATED				
		2 PLACES ± 0.15 ± ---	APPROVED BY JCOMERC I	DATE 2011/03/28	MOLEX INCORPORATED				
1 PLACE ± 0.25 ± ---	ANGULAR ± 1/2°		MATERIAL NO. <b>SEE SHEET 1</b>	DOCUMENT NO. <b>SD-76693-1200</b>	SHEET NO. <b>3 OF 4</b>				
DRAFT WHERE APPLICABLE MUST REMAIN WITHIN DIMENSIONS		THIS DRAWING CONTAINS INFORMATION THAT IS PROPRIETARY TO MOLEX INCORPORATED AND SHOULD NOT BE USED WITHOUT WRITTEN PERMISSION							



NOTE:  
 THESE ARE GENERIC DETAILS THAT DESCRIBES THE CONFIGURATION OF VARIOUS PCB DESIGN ELEMENTS. THE CUSTOMER MUST DETERMINE WHERE AND WHEN TO USE EACH ELEMENT TO ACCOMODATE THEIR SPECIFIC APPLICATION.

SEE SHEET 1 EC NO: UCP2011-2702 DRWN: DROSCA 2011/03/23 CHKD: JCOMERCI 2011/03/28 APPR: JCOMERCI 2011/03/28	QUALITY SYMBOLS ▽=0 ▽=0	GENERAL TOLERANCES (UNLESS SPECIFIED)		DIMENSION STYLE <b>MM ONLY</b>		SCALE 8:1	DESIGN UNITS METRIC	THIRD ANGLE PROJECTION		
		4 PLACES ± --- ± ---	mm	INCH	DRAWN BY	DATE	TITLE EDGELINE 12.5GB 200CKTS 0.093" PCB 0.8MM PITCH			
		3 PLACES ± --- ± ---			CHECKED BY	DATE				
		2 PLACES ± 0.15 ± ---			JCOMERCI	2011/03/28				
1 PLACE ± 0.25 ± ---			APPROVED BY	DATE						
			JCOMERCI	2011/03/28						
			MATERIAL NO. SEE SHEET 1		DOCUMENT NO. SD-76693-1200		SHEET NO. 4 OF 4			
DRAFT WHERE APPLICABLE MUST REMAIN WITHIN DIMENSIONS		SIZE C		THIS DRAWING CONTAINS INFORMATION THAT IS PROPRIETARY TO MOLEX INCORPORATED AND SHOULD NOT BE USED WITHOUT WRITTEN PERMISSION						