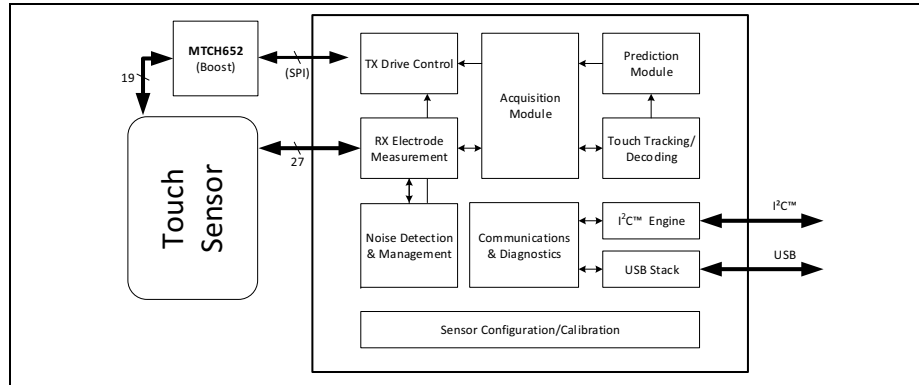


FIGURE 1: MTCH6303 BLOCK DIAGRAM



MTCH6303 Multi-Touch Projected Capacitive Touch Screen Development Kit Information Sheet

Overview

This information sheet provides some important details about the MTCH6303 Multi-touch Projected Capacitive Touch Screen Development Kit that will help the user successfully employ the board as quickly as possible.

Microchip's Multi-touch Projected Capacitive Touch Screen Development Kit enables the creation of advanced touch interface solutions using MTCH6303 with up to 18V boost via the MTCH652 device.

The MTCH6303 solution brings advanced features, including noise robustness, larger sensor size support up to 8", faster scanning speeds and the ability to combine with the high-voltage driver, MTCH652, to achieve superior signal to noise ratio. These capabilities enable a wider range of designs, including transparent touch screens over displays with advanced multi-touch gestures for a rich user interface.

The contents of the kit include:

- Touch screen controller board with MTCH6303 and MTCH652 high-voltage driver
- 8" indium tin oxide (ITO) projected capacitive touch screen
- Micro USB cable

For the MTCH6303 Utility software application and more information about Microchip's human interface portfolio, visit www.microchip.com/mTouch.

Getting Started

To get started with the MTCH6303 development board, follow these steps:

1. Download and install the MTCH6303 Utility to a Windows® 7/8 PC from www.microchip.com/mTouch.
2. Connect MTCH6303 development board to the touch screen.
3. Connect MTCH6303 development board to the PC using the Micro USB cable (included in the kit).
4. Launch the MTCH6303 Utility software.
5. Follow the on-screen instructions to insure the latest version of MTCH6303 firmware is downloaded to the controller board.

The MTCH6303 development board should now be up and running.

Americas

Atlanta - 678-957-9614
 Austin - 512-257-3370
 Boston - 774-760-0087
 Chicago - 630-285-0071
 Cleveland - 216-447-0464
 Dallas - 972-818-7423
 Detroit - 248-848-4000
 Houston - 281-894-5983
 Indianapolis - 317-773-8323
 Los Angeles - 949-462-9523
 New York - 631-435-6000
 Phoenix - 480-792-7200
 Santa Clara - 408-961-6444
 Toronto - 905-673-0699

Europe

Austria - Wels - 43-7242-2244-39
 Denmark - Copenhagen - 45-4450-2828
 France - Paris - 33-1-69-53-63-20
 Germany - Munich - 49-89-627-144-0
 Italy - Milan - 39-0331-742611
 Netherlands - Drunen - 31-416-690399
 Spain - Madrid - 34-91-708-08-90
 UK - Wokingham - 44-118-921-5869

Asia/Pacific

Australia - Sydney - 61-2-9868-6733
 China - Beijing - 86-10-8569-2100
 China - Chengdu - 86-28-8665-5511

Asia/Pacific (Continued)

China - Chengdu - 86-28-8665-5511
 China - Chongqing - 86-23-8980-9588
 China - Dongguan - 86-769-8702-9880
 China - Hangzhou - 86-571-8792-8115
 China - Hong Kong SAR - 852-2943-5100
 China - Nanjing - 86-25-8473-2460
 China - Qingdao - 86-532-8502-7355
 China - Shanghai - 86-21-5407-5533
 China - Shenyang - 86-24-2334-2829
 China - Shenzhen - 86-755-8864-2200
 China - Wuhan - 86-27-5980-5300
 China - Xiamen - 86-592-2388138
 China - Xian - 86-29-8833-7252
 China - Zhuhai - 86-756-3210040
 India - Bangalore - 91-80-3090-4444
 India - New Delhi - 91-11-4160-8631
 India - Pune - 91-20-3019-1500
 Japan - Osaka - 81-6-6152-7160
 Japan - Tokyo - 81-3-6880-3770
 Korea - Daegu - 82-53-744-4301
 Korea - Seoul - 82-2-554-7200
 Malaysia - Kuala Lumpur - 60-3-6201-9857
 Malaysia - Penang - 60-4-227-8870
 Philippines - Manila - 63-2-634-9065
 Singapore - 65-6334-8870
 Taiwan - Hsin Chu - 886-3-5778-366
 Taiwan - Kaohsiung - 886-7-213-7828
 Taiwan - Taipei - 886-2-2508-8600
 Thailand - Bangkok - 66-2-694-1351

01/27/15



MICROCHIP

Microchip Technology Inc. • 2355 West Chandler Blvd. • Chandler, AZ 85224-6199

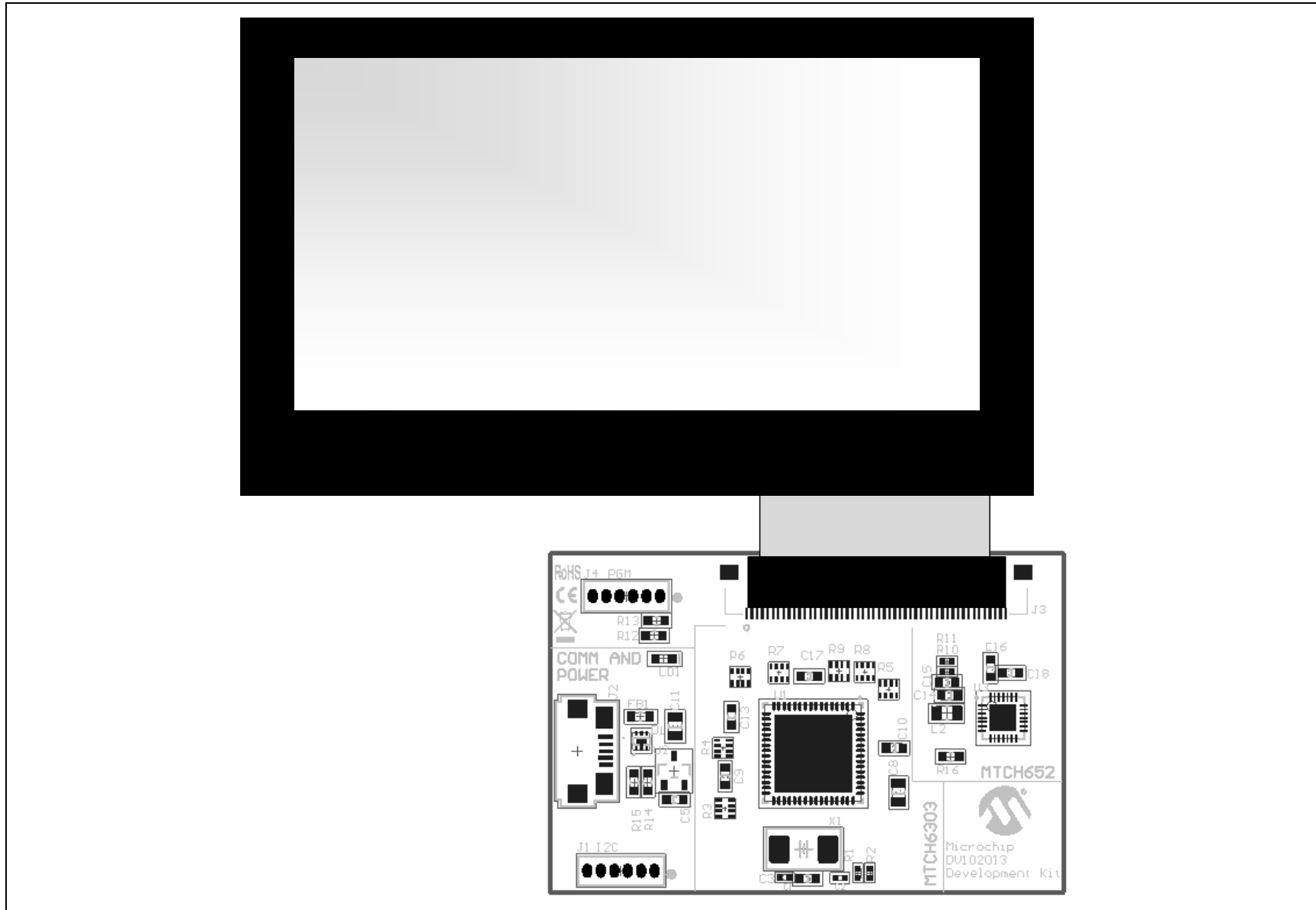
www.microchip.com

The Microchip name and logo, the Microchip logo, and mTouch are registered trademarks of Microchip Technology Incorporated in the U.S.A. and other countries. All other trademarks mentioned herein are property of their respective companies. © 2015, Microchip Technology Incorporated, Printed in the U.S.A. All Rights Reserved. 05/15

DS40001794A

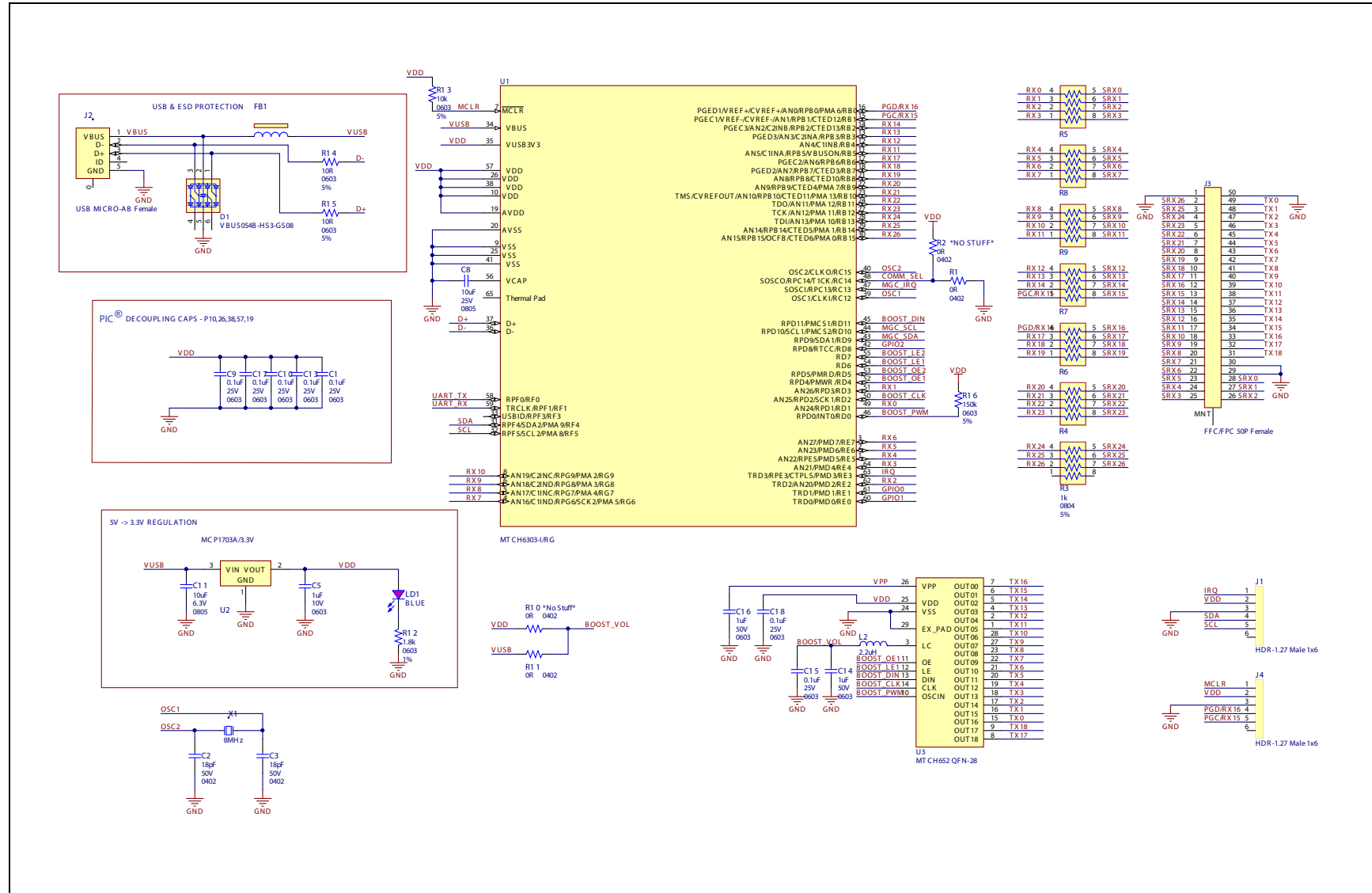
MTCH6303 Multi-Touch Projected Capacitive Touch Screen Development Kit Information Sheet

FIGURE 2: MTCH6303 DEVELOPMENT KIT LAYOUT



MTCH6303 Multi-Touch Projected Capacitive Touch Screen Development Kit Information Sheet

FIGURE 3: MTCH6303 DEVELOPMENT BOARD SCHEMATIC



MTCH6303 Multi-Touch Projected Capacitive Touch Screen Development Kit Information Sheet

FIGURE 4: Epic10 8" TOUCH SCREEN (PN: TXP080B002) DRAWING

