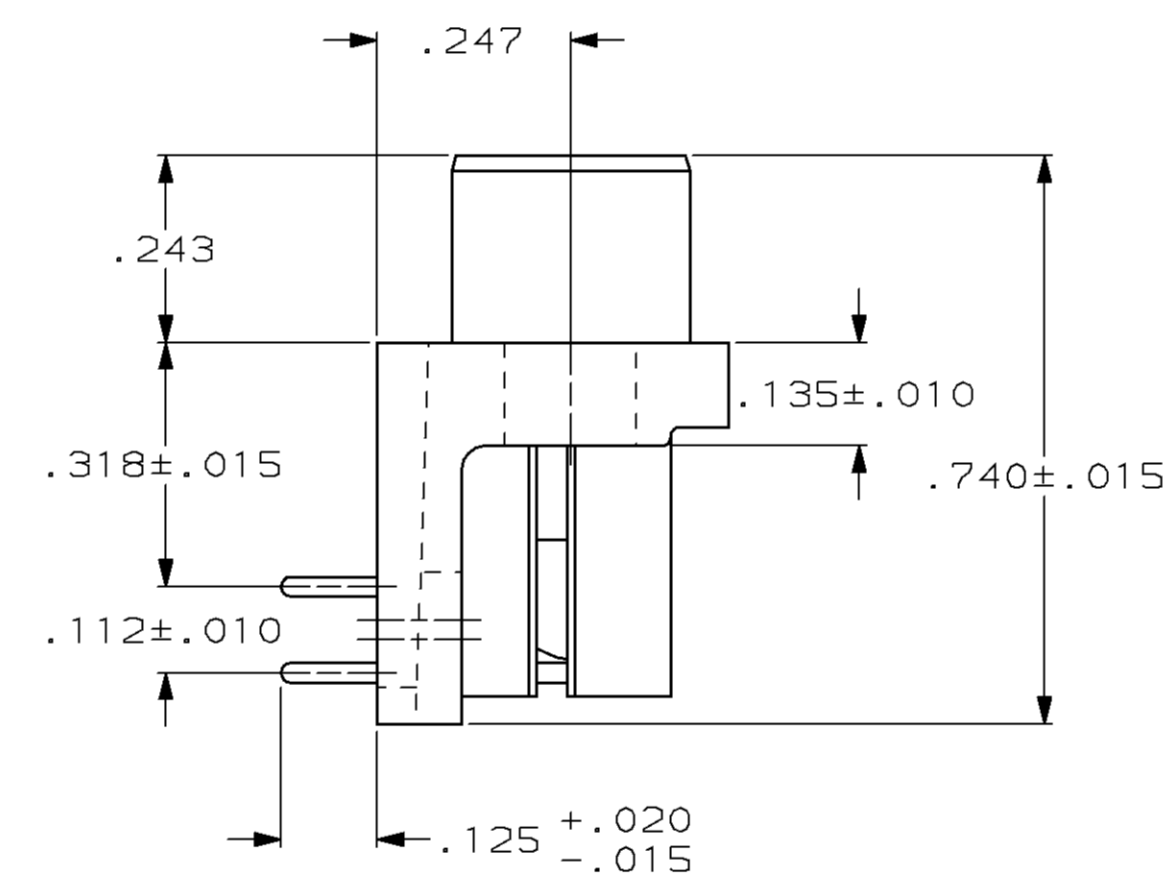
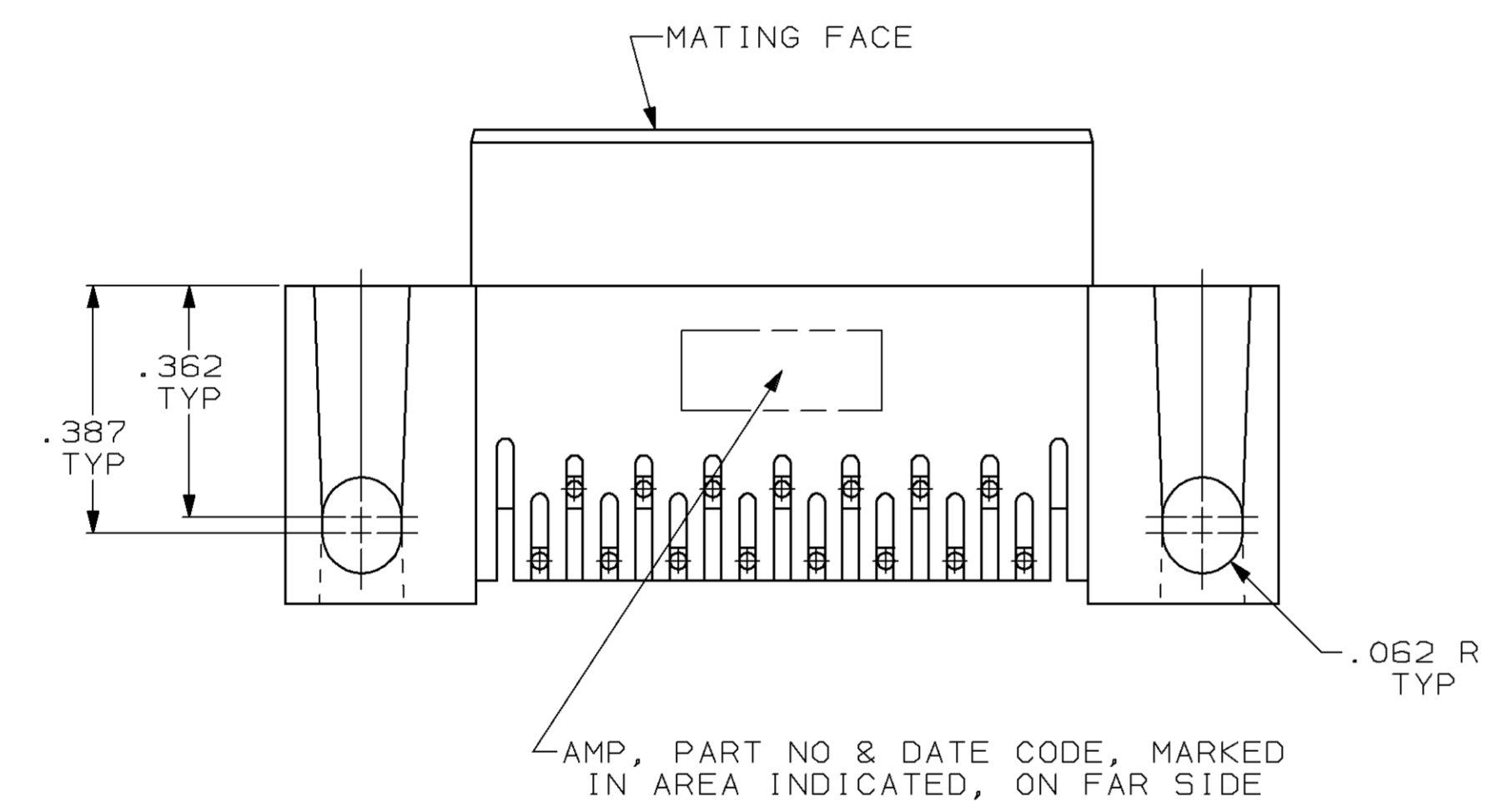
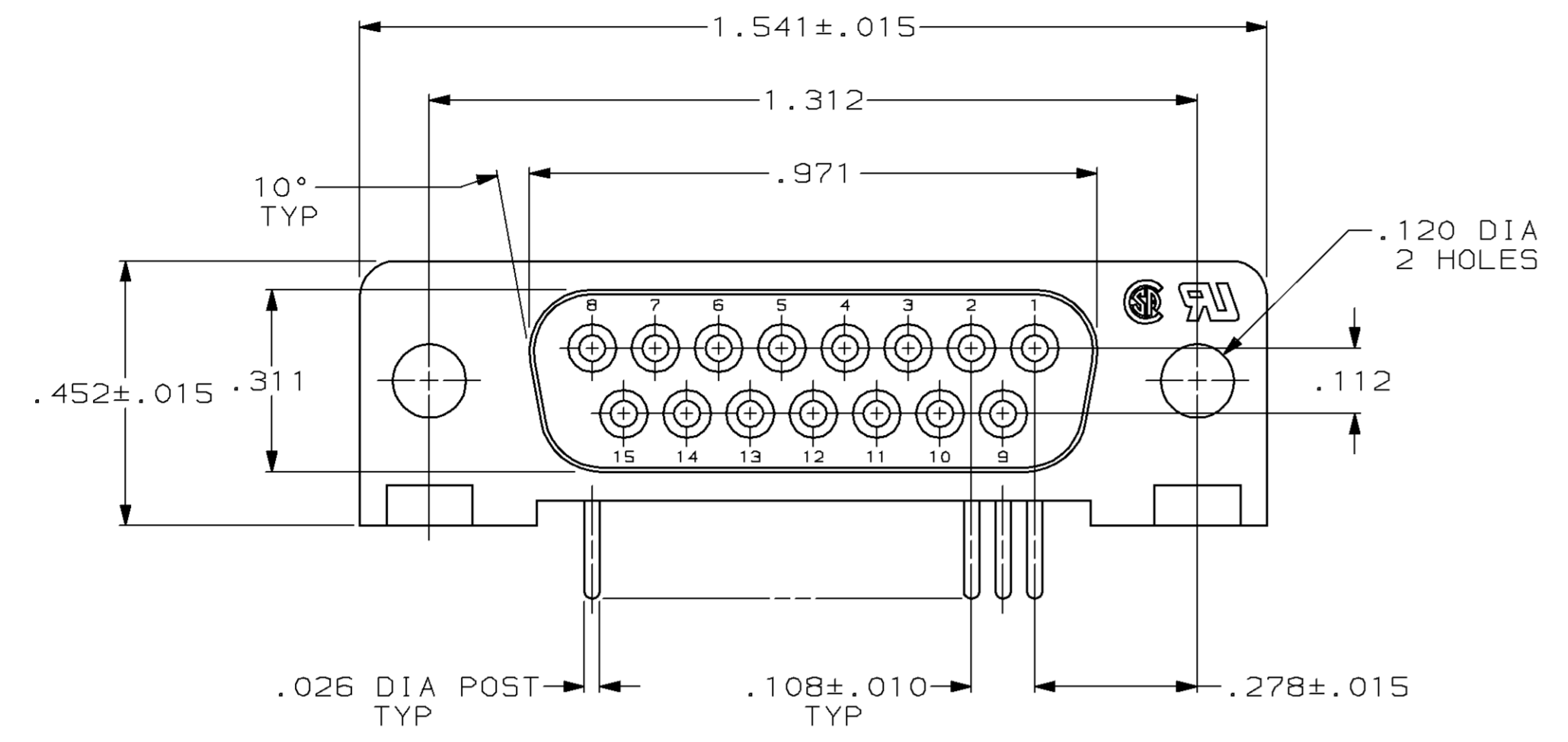
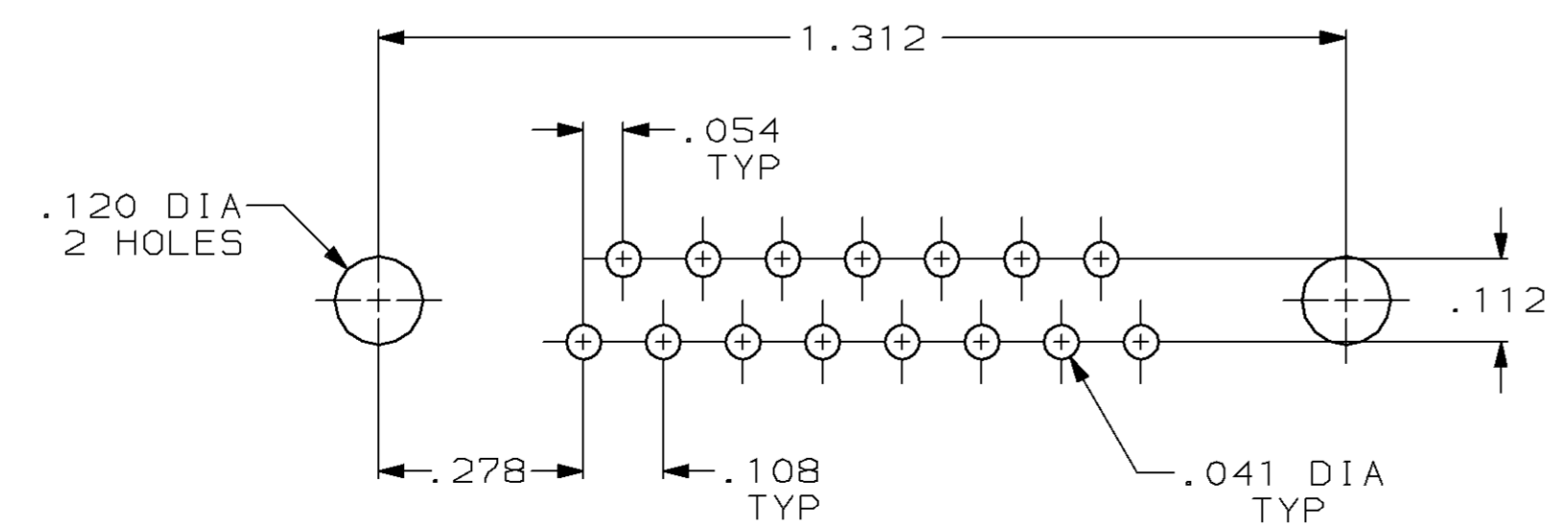


DRAWING MADE IN THIRD ANGLE PROJECTION
 THIS DRAWING IS UNPUBLISHED. RELEASED FOR PUBLICATION
 © COPYRIGHT 19 BY AMP INCORPORATED, HARRISBURG, PA. ALL INTERNATIONAL RIGHTS RESERVED. AMP PRODUCTS MAY BE COVERED BY U.S. AND FOREIGN PATENTS AND/OR PATENTS PENDING.

LOC	DIST	P	F	ZONE	LTR	DESCRIPTION	DATE	APPD
BD	77					A REV & REDRAWN ECN-1747	-	-
						B REVISED ECN-BD2289	11-14-88	PAK
						C REVISED ECN-BD3407	11-19-88	WJS
						D SUPSD -1 PER EC 0020-967-93	03/22/94	SB



- ① FLAME RETARDANT, 94V-0 RATED, GLASS FILLED NYLON OR POLYESTER, COLOR: BLACK.
- ② PHOS. BRONZE PER QQ-B-750.
- ③ REFER TO APPLICATION SPEC FOR RECOMMENDED P.C. BOARD MOUNTING DIMENSIONS FOR AUTOMATIC INSERTION.
- ④ GOLD PLATING PER MIL-G-45204, TIN PLATING PER MIL-T-10727, NICKEL PLATING PER QQ-N-290.
- ⑤ PLATED WITH GOLD FLASH FOR LENGTH OF .055 MIN FROM MATING END, WITH POINT OF MEASUREMENT .035 FROM MATING END OF CONTACT, .000100-.000200 TIN OR TIN-LEAD ON SOLDER END, ALL OVER .000050 NICKEL ON ENTIRE CONTACT.
- ⑥ PLATED WITH .000030 GOLD FOR LENGTH OF .055 MIN FROM MATING END, WITH POINT OF MEASUREMENT .035 FROM MATING END OF CONTACT, .000100-.000200 TIN OR TIN-LEAD ON SOLDER END, ALL OVER .000050 NICKEL ON ENTIRE CONTACT.



P.C. BOARD MOUNTING DIMENSIONS ③

UNLESS OTHERWISE SPECIFIED DIMENSIONS ARE IN INCHES TOLERANCES ON:		DR 4-7-87 S. WELDON	AMP INCORPORATED Harrisburg, Pa. 17105
2 PL DEC ± .005	3 PL DEC ± .005	CHK 4-14-87 C. RICHARD	NAME RECEPTACLE ASSY, SIZE 2, 15 POSN, RIGHT ANGLE, .318 SERIES, .026 DIA POSTS, AMPLIMITE® HD-20
MATERIAL MOLDED PARTS: ①	CONTACTS: ②	APPD 4-27-87 B. TAYLOR	SIZE D
FINISH ④	CONTACTS: SEE TABLE	APPD 5-5-87 J. ASSINI	FSCM NO 00779
		PRODUCT SPEC 108-40005	DRAWING NO 745271
		APPLICATION SPEC 114-40015	SCALE 4:1
		WEIGHT -	SHEET 1 of 1

SUPSD BY 745271-2 ⑤ 745271 -2
 745271 -1
 FINISH PART NUMBER