

INTERNAL THREAD UNC 4.40

5 across flats

NOTES

Material : steel tin plated

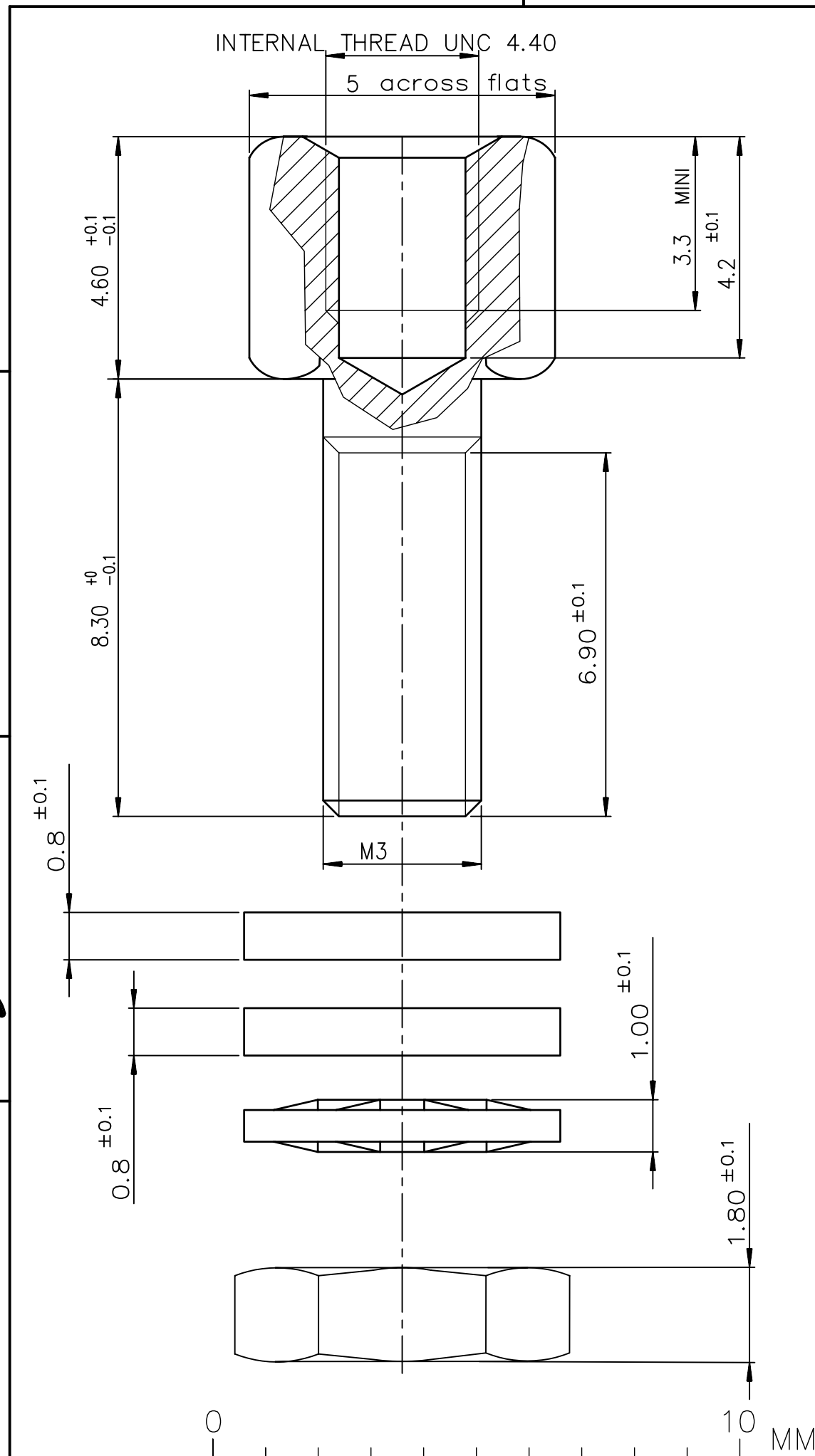
Corrosion resistance : 24 hours exposure to salt spray

Compensating washer thickness : 0.8 mm

Part number 86552153TLF

NOTE1:RoHS INFORMATIONS

- The "LF" product meets European union Directives and other country regulations as described in GS-22-008.
- The product is not intended to be exposed to a manufacturing solder process.
- Packaging spec: see GS-14-920.



Copyright FCI. FCI

European Views

www.fciconnect.com			surface ISO 1302 ✓	tolerance std ISO 406 ISO 1101	projection mm
TOLERANCES UNLESS OTHERWISE SPECIFIED					
Dr	GOISNARD	2006/01/12	ANGULAR	0.X	±0.1
Eng	PESSON	2006/01/12	LINEAR	0.XX	±0.1
Chr	ABHILASH	2009/06/19	0.XX ±2	0.XXX	±0.1
Appr	SUDHIR	2009/06/19	Product family		D-SUB
title FEMALE SCREW LOCKS					size A3
catalog no					Scale 10
ECN					LS06-0095
Spec ref					-
FCI				Rev. C	
dwg no C01-8655-1655				sheet 1 of 1	

rev	ecn no	dr	date
A	LS05-0123	LGO	2006/01/12
B	LS06-0095	LGO	2006/06/24
C	I09-0100	AMR	2009/06/19
-	-	-	-
-	-	-	-
-	-	-	-
-	-	-	-