

## DETAILS

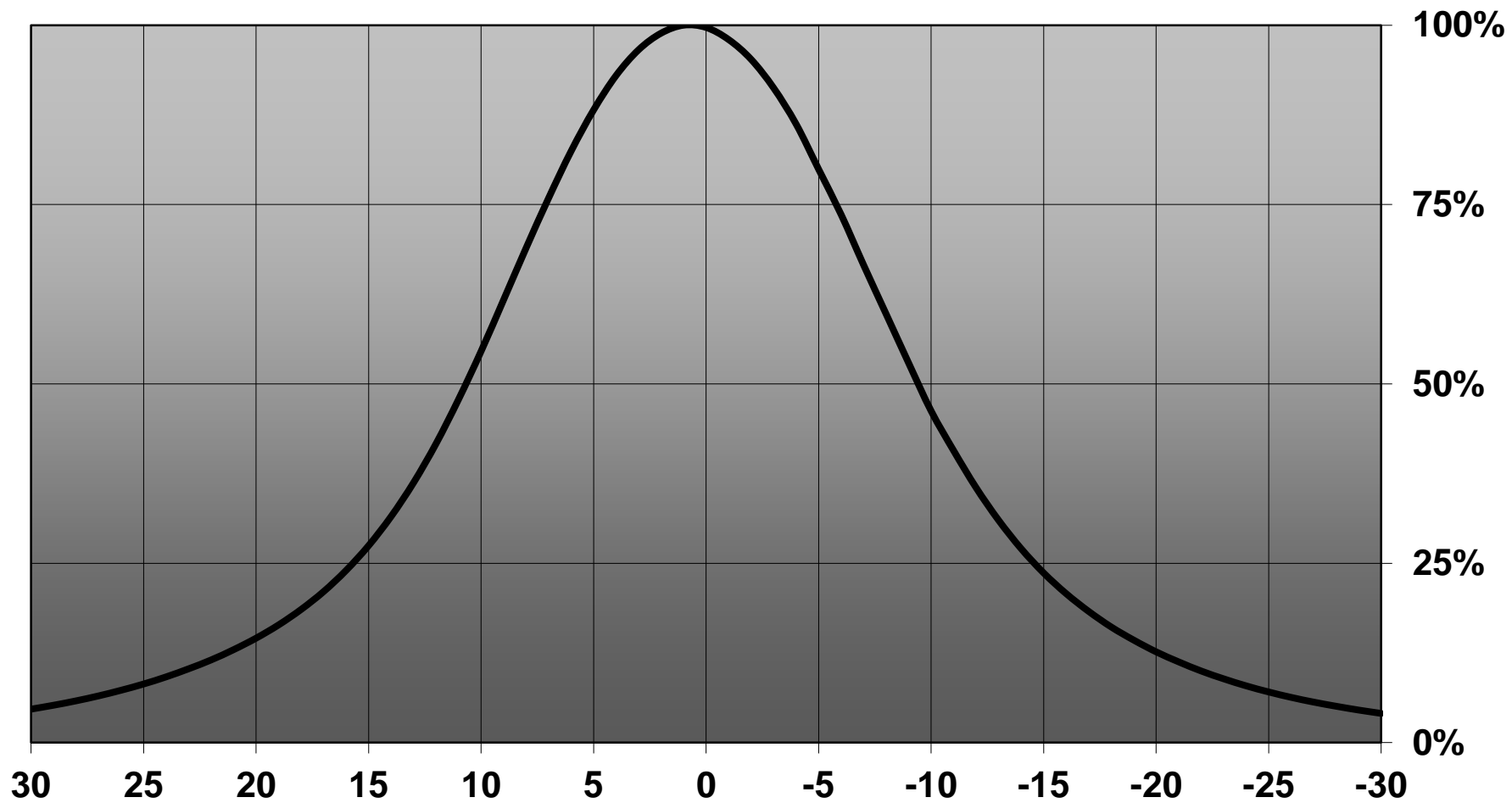
<b>Product Number</b>	CA12530_HEIDI-D
<b>Family</b>	Heidi
<b>Type</b>	Assembly
<b>Color</b>	clear
<b>Diameter</b>	21,6 mm
<b>Height</b>	11,7 mm
<b>Style</b>	round
<b>Optic Material</b>	PMMA
<b>Holder Material</b>	
<b>Fastening</b>	tape, pin
<b>Status</b>	production ready
<b>ROHS Compliant</b>	Yes
<b>Date Updated</b>	3/01/2017



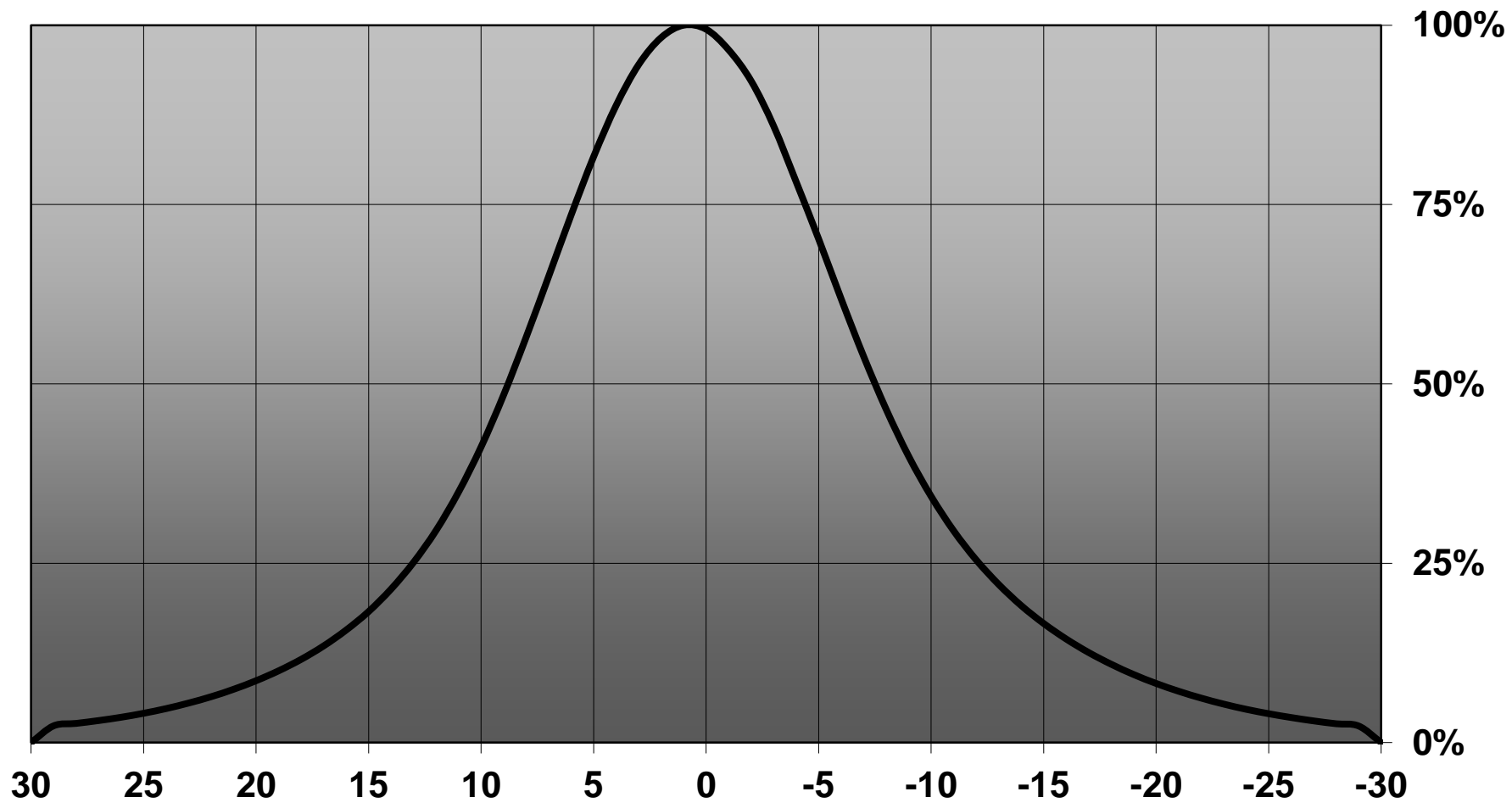
## OPTICAL PROPERTIES

LED	Viewing	Light	Efficiency	cd/lm	Connector
	Angle	Beam			
XP-L	18 deg	Diffuser	85 %	4.790	-
XHP35 HD	20 deg	Diffuser	83 %	4.190	-
XHP35 HI	16 deg	Diffuser	84 %	6.300	-
LUXEON Rebel ES	12 deg	Diffuser	86 %	10.000	-
LUXEON A	12 deg	Diffuser	86 %	10.000	-
LUXEON Rebel	14 deg	Diffuser	86 %	7.500	-
LUXEON R	sim: 12	Diffuser	-	-	-
NWSx229A	20 deg	Diffuser	84 %	4.100	-
NVSW3x9A	18 deg	Diffuser	90 %	4.800	-
Oslon SSL 150	13 deg	Diffuser	87 %	9.100	-
Z8Y22P	17 deg	Diffuser	92 %	5.000	-

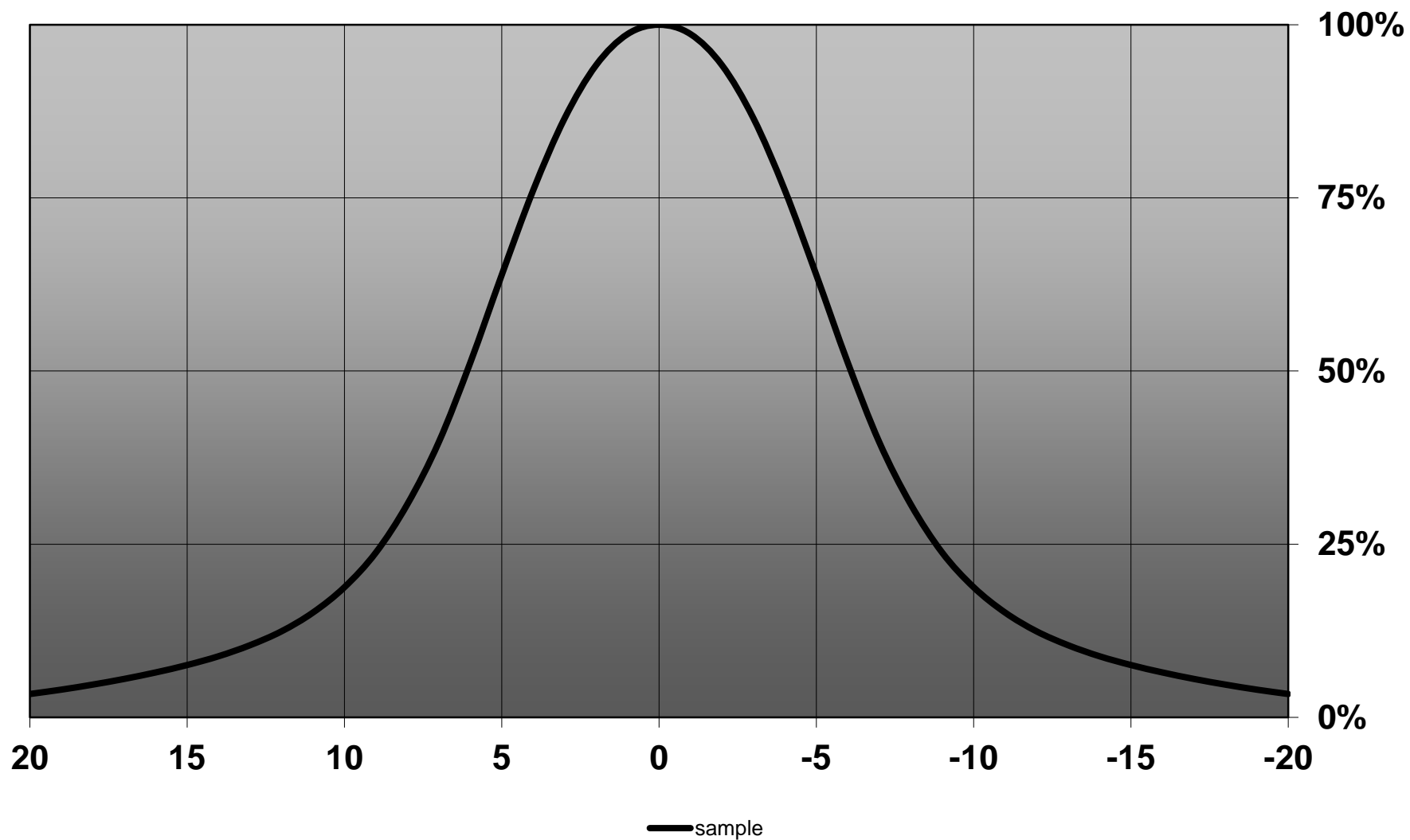
Relative intensity of CA12530\_HEIDI-D\_(XHP35\_HD)



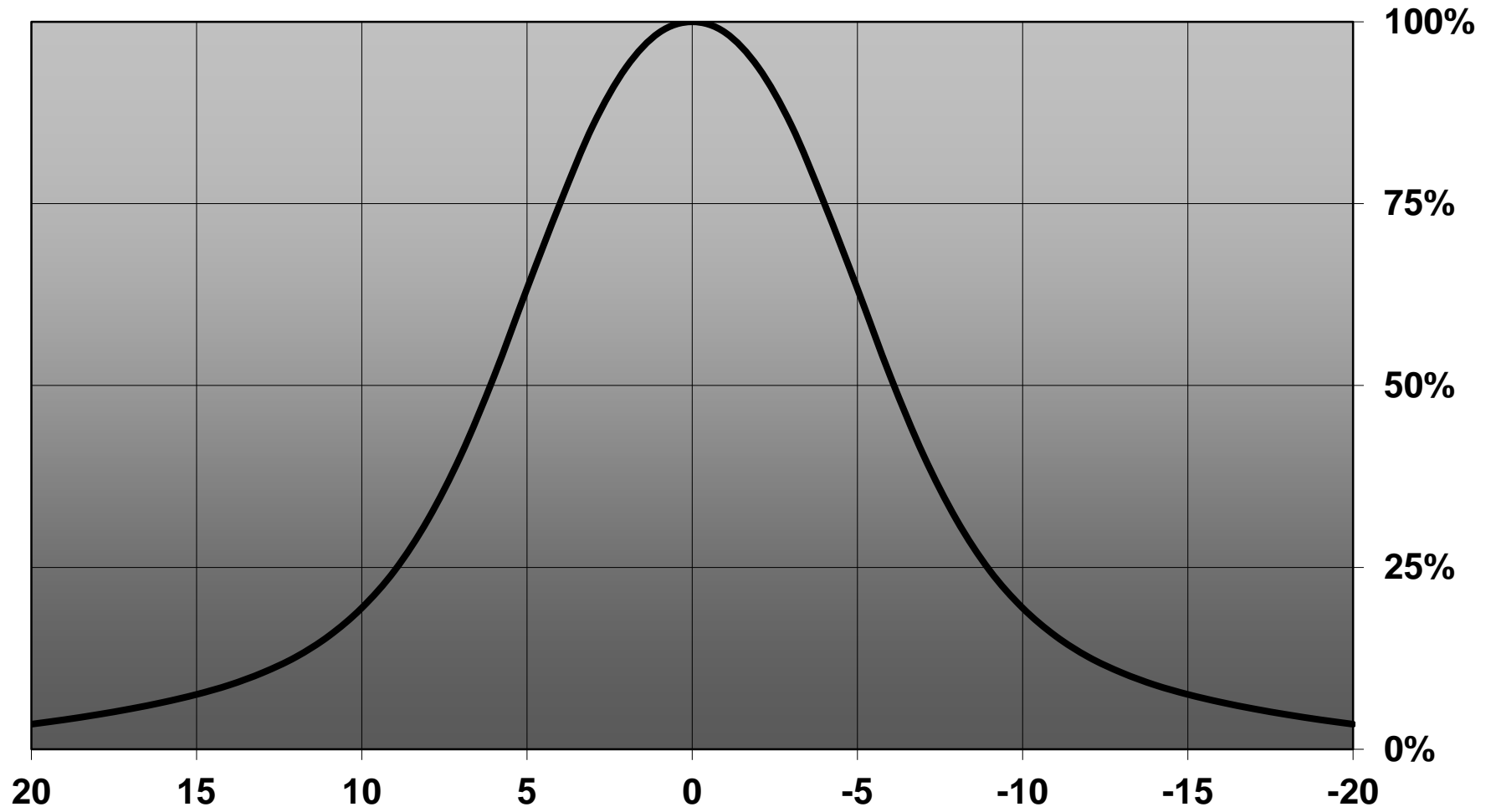
Relative intensity of CA12530\_HEIDI-D\_(XPH35\_HI)



### Relative intensity of CA12530\_HEIDI-D\_(Luxeon Rebel ES)



Relative intensity of CA12530\_HEIDI-D\_(Luxeon A)



D

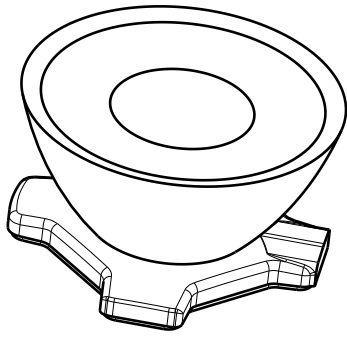
C

B

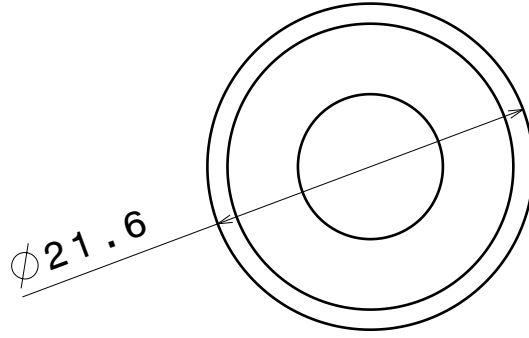
A

4

4



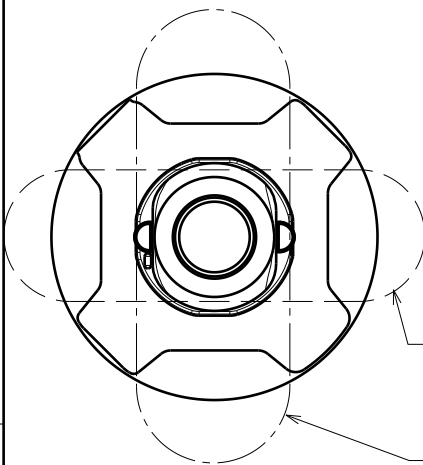
Isometric view



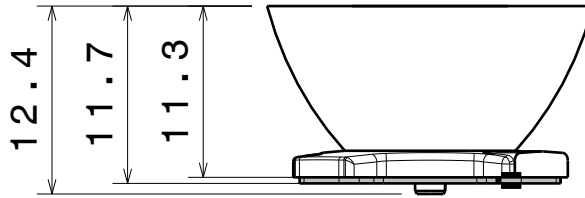
Top view

3

3



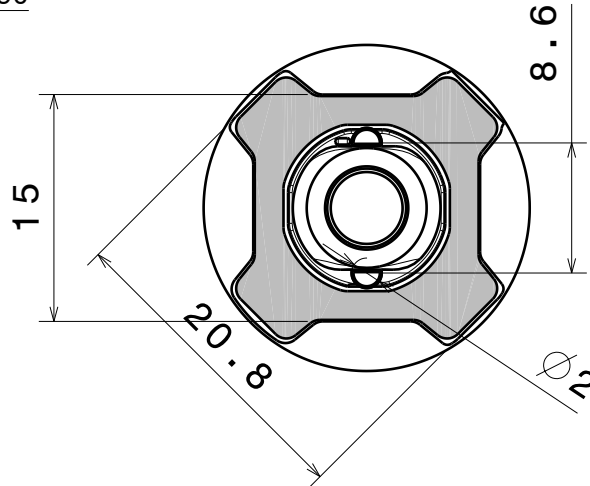
Bottom view  
OVAL BEAM direction



Front view

2

2



Bottom view

Material:  
Lens PMMA  
Tape PU Foam

This drawing is our property.  
It can't be reproduced  
or communicated without  
our written agreement.



Ledil Oy  
Salorankatu 10  
FIN-24100 SALO  
Finland

DRAWING TITLE

Datasheet Heidi-Series Assy

DRAWN BY  
ah

DATE  
1.2.2012

CHECKED BY

DATE

SIZE  
A4

DRAWING NUMBER

REV  
2

DESIGNED BY

DATE

SCALE 2:1 WEIGHT (g)

SHEET 1/1

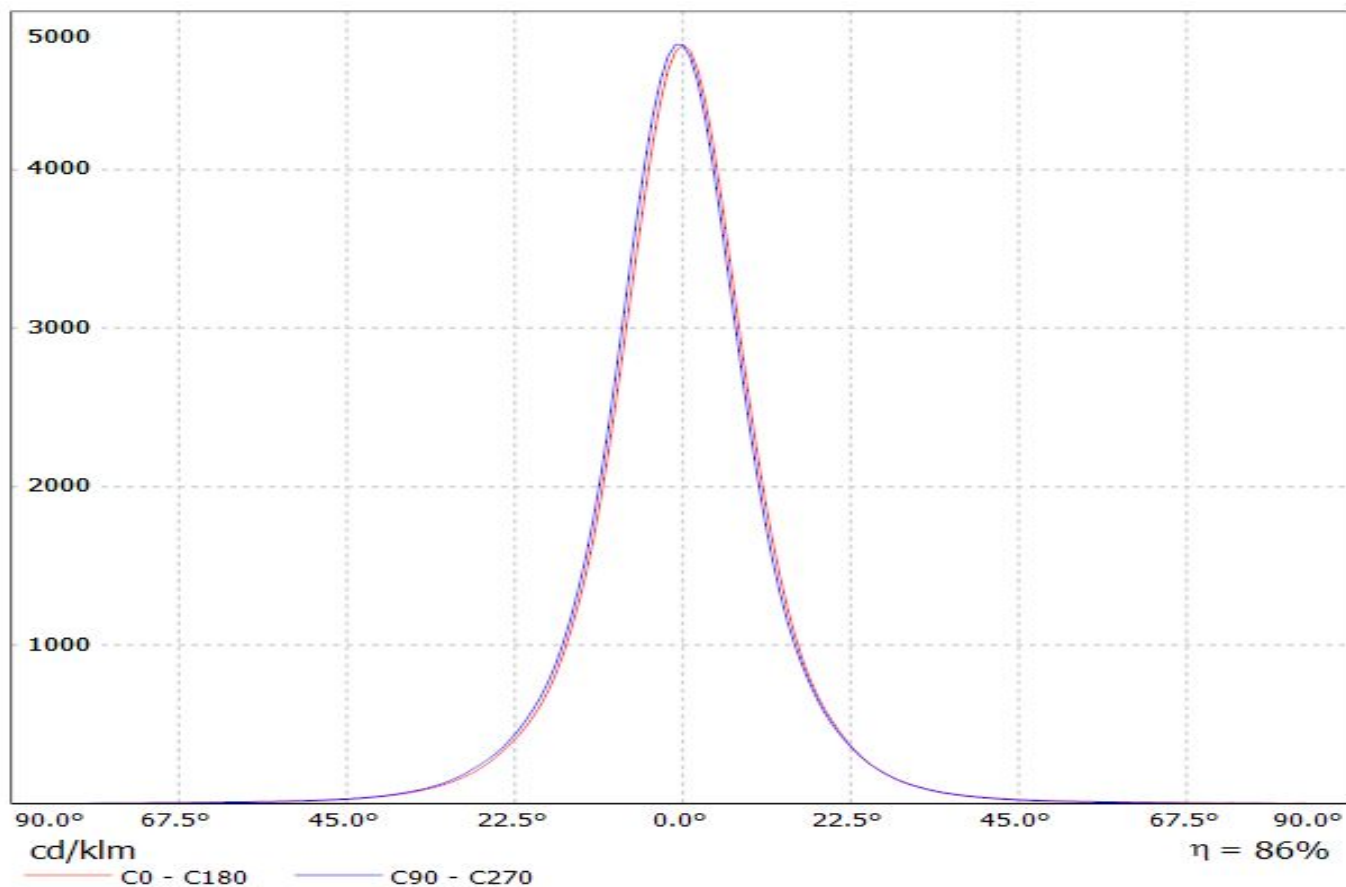
D

A

1

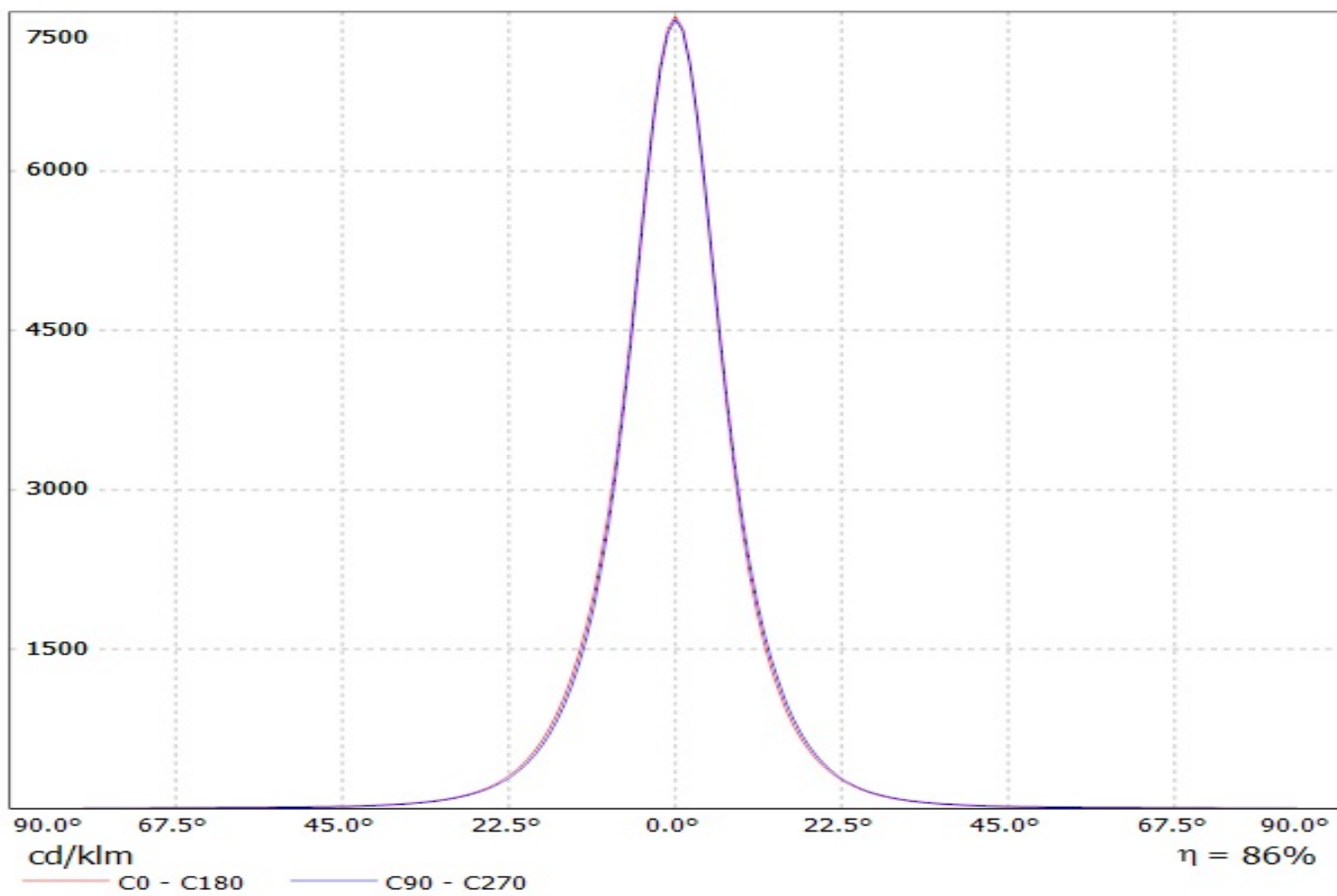
1

Luminaire: Ledil Oy CA12530\_HEIDI-D\_(XP-L) Efficiency=85%  
Lamps: 1 x Cree XP-L 125lm @ 250mA CCT= P=0.72W I=250mA



Luminaire: LEDiL Oy CA12530\_HEIDI-D\_(Luxeon\_Rebel)

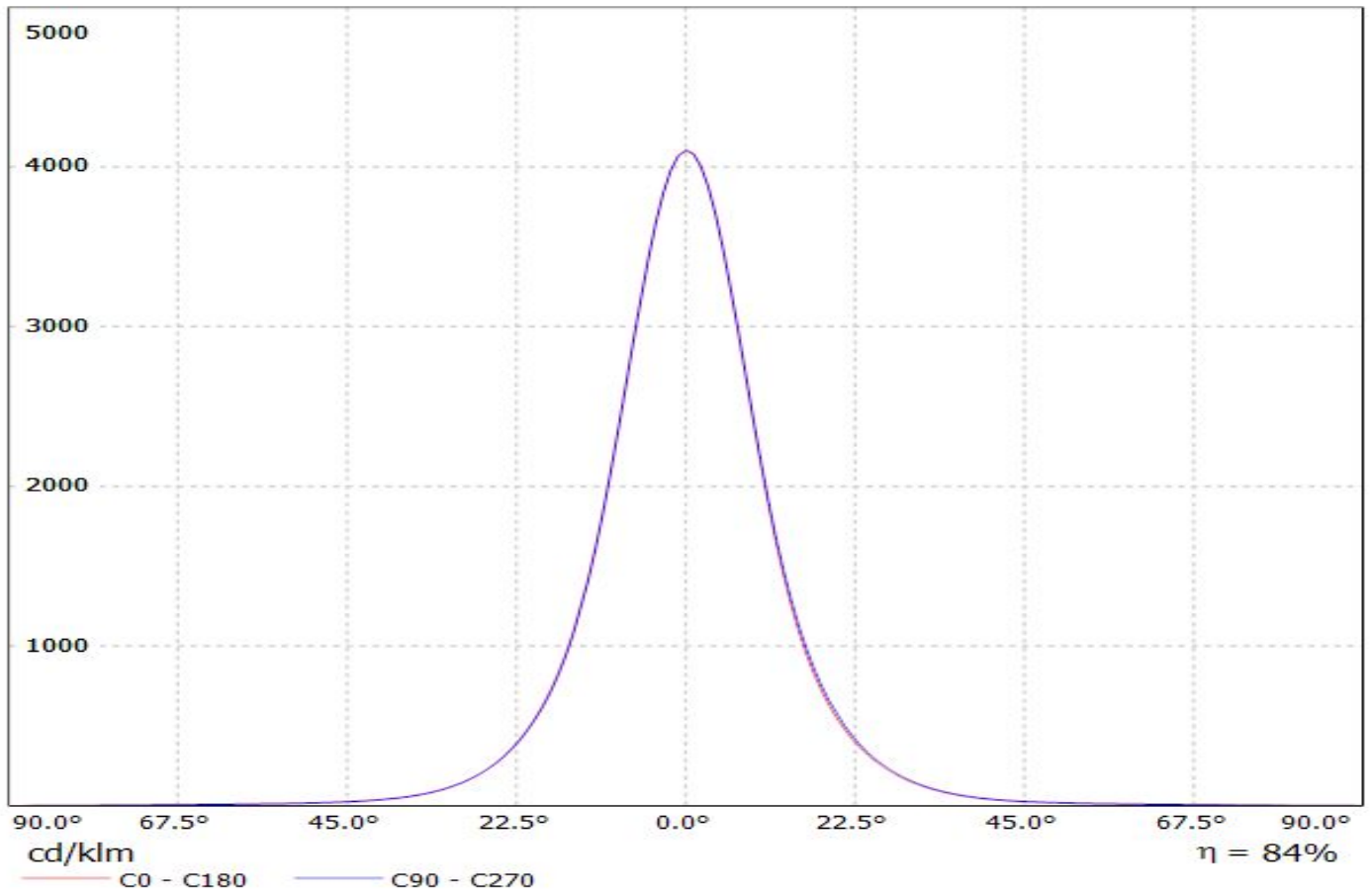
Lamps: 1 x Luxeon\_Rebel\_(LXM8-PW30)\_61.9761lm@250mA\_P=0.729\_I=250mA





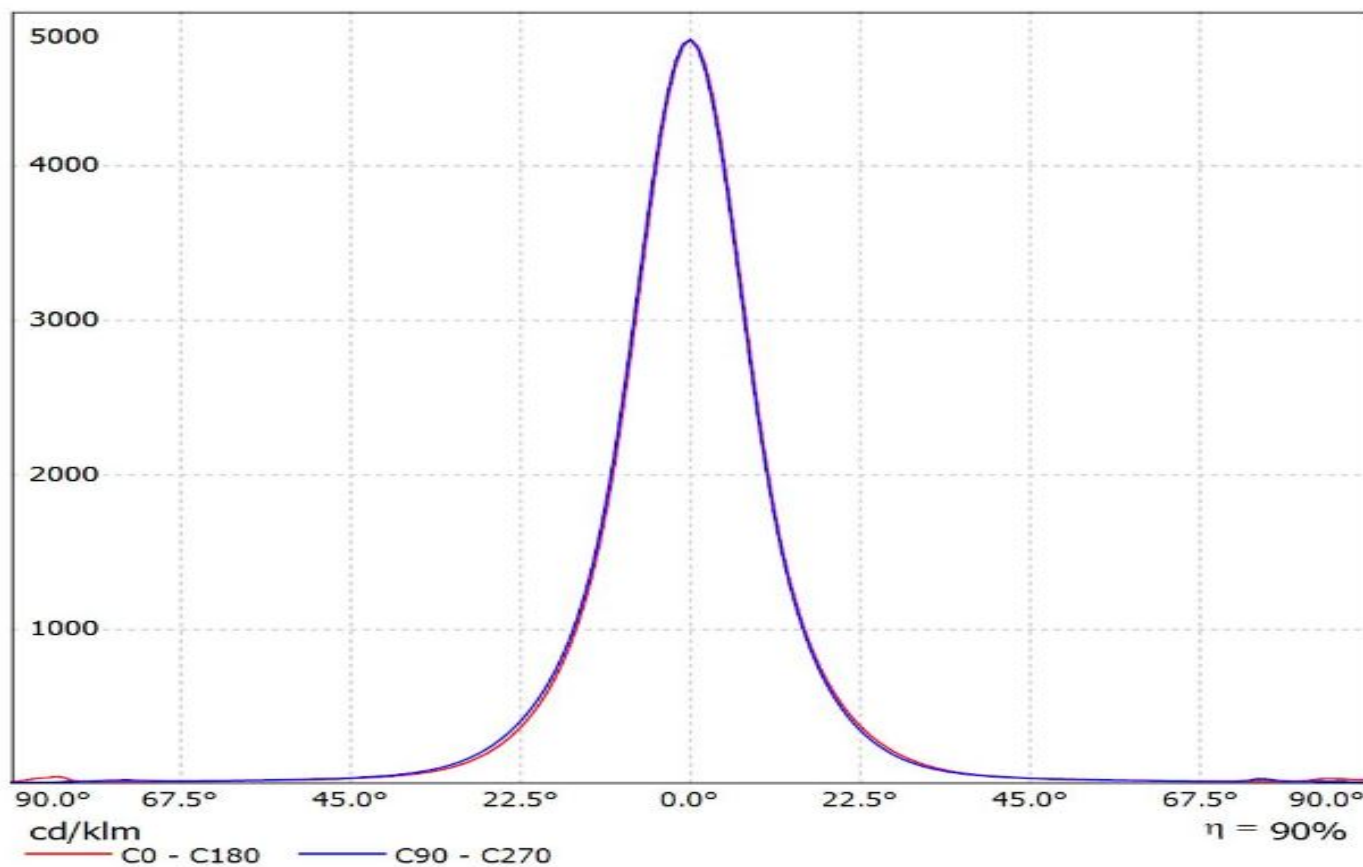
Luminaire: LEDiL Oy CA12530\_HEIDI-D\_(NWSL229AE)

Lamps: 1 x Nichia\_NWSL229AE\_120.537lm@250mA\_P=0.7126W\_I=0.250A

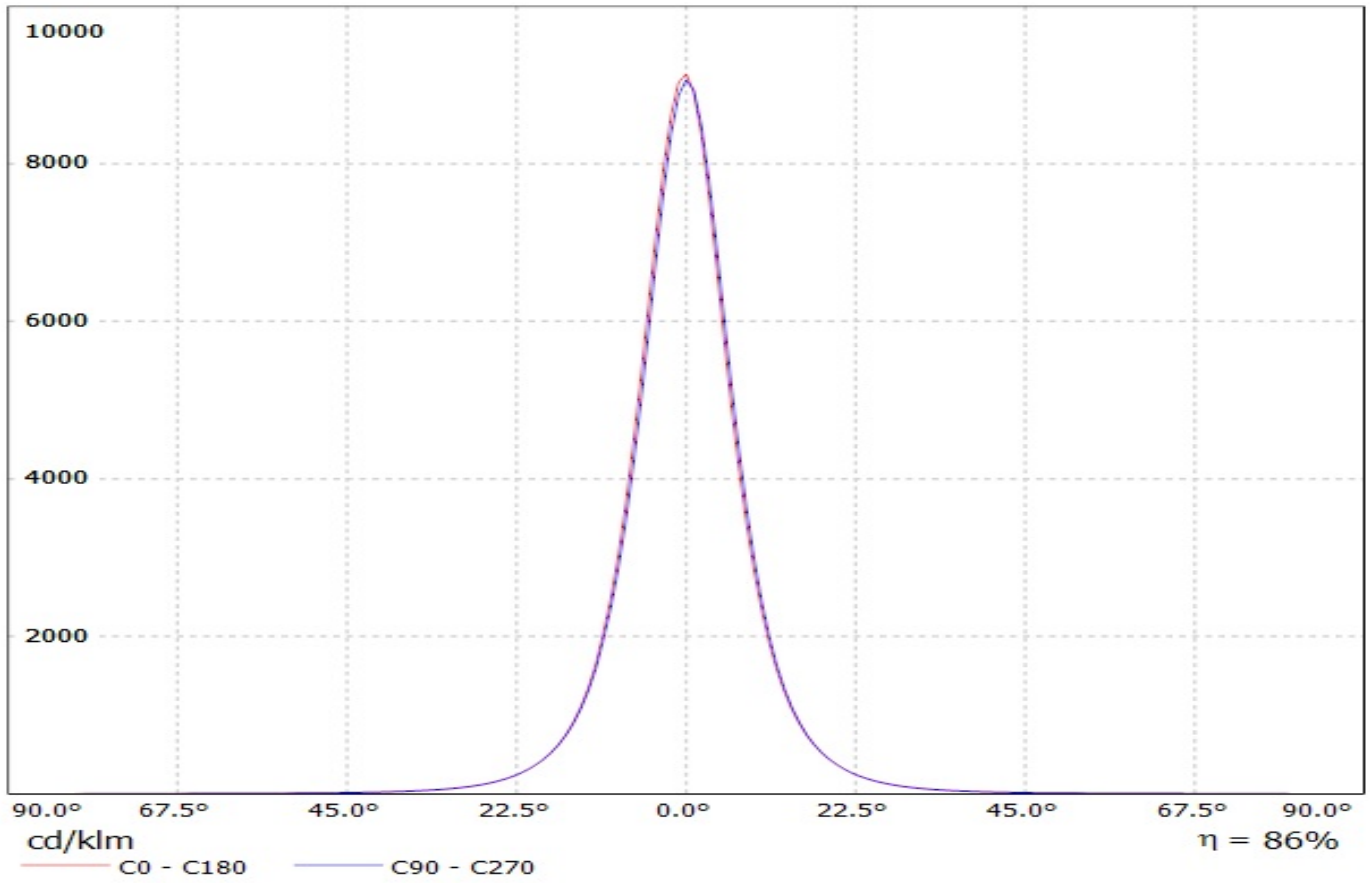


Luminaire: Ledil CA12530\_HEIDI-D\_(NVSW319AE)

Lamps: 1 x Nichia\_NVSW319AE\_(sm405D440f2L2R70)\_126.795lm@250mA\_P=0.73515W\_I=0.250A

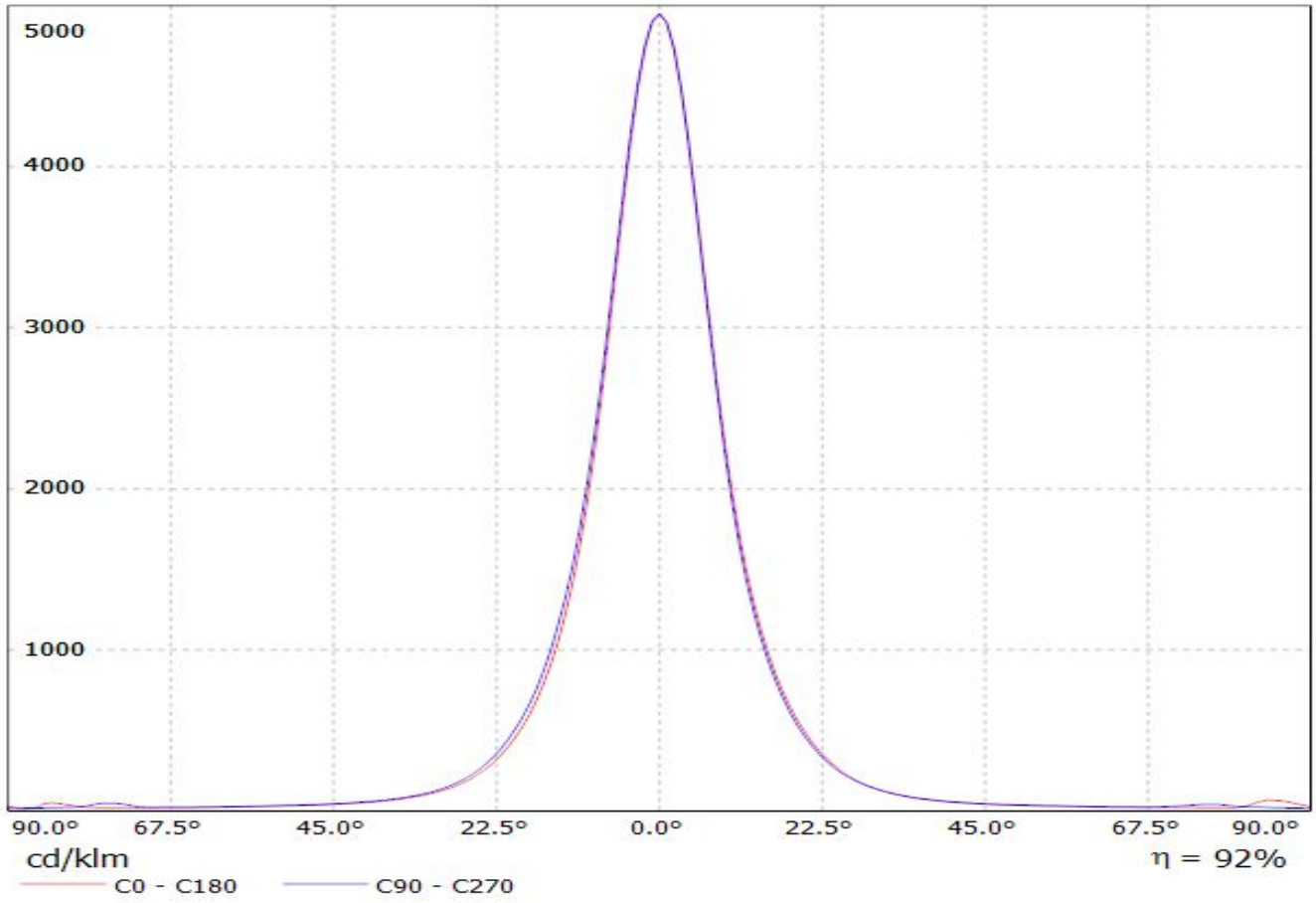


Luminaire: LEDiL Oy CA12530\_HEIDI-D\_(Oslon\_SSL\_150)  
Lamps: 1 x Osram\_Oslon\_SSL\_150\_(LCW\_CRUP.EC-KTLP-607Q-1)  
\_77.1485lm@250mA\_P=0.744\_I=250mA

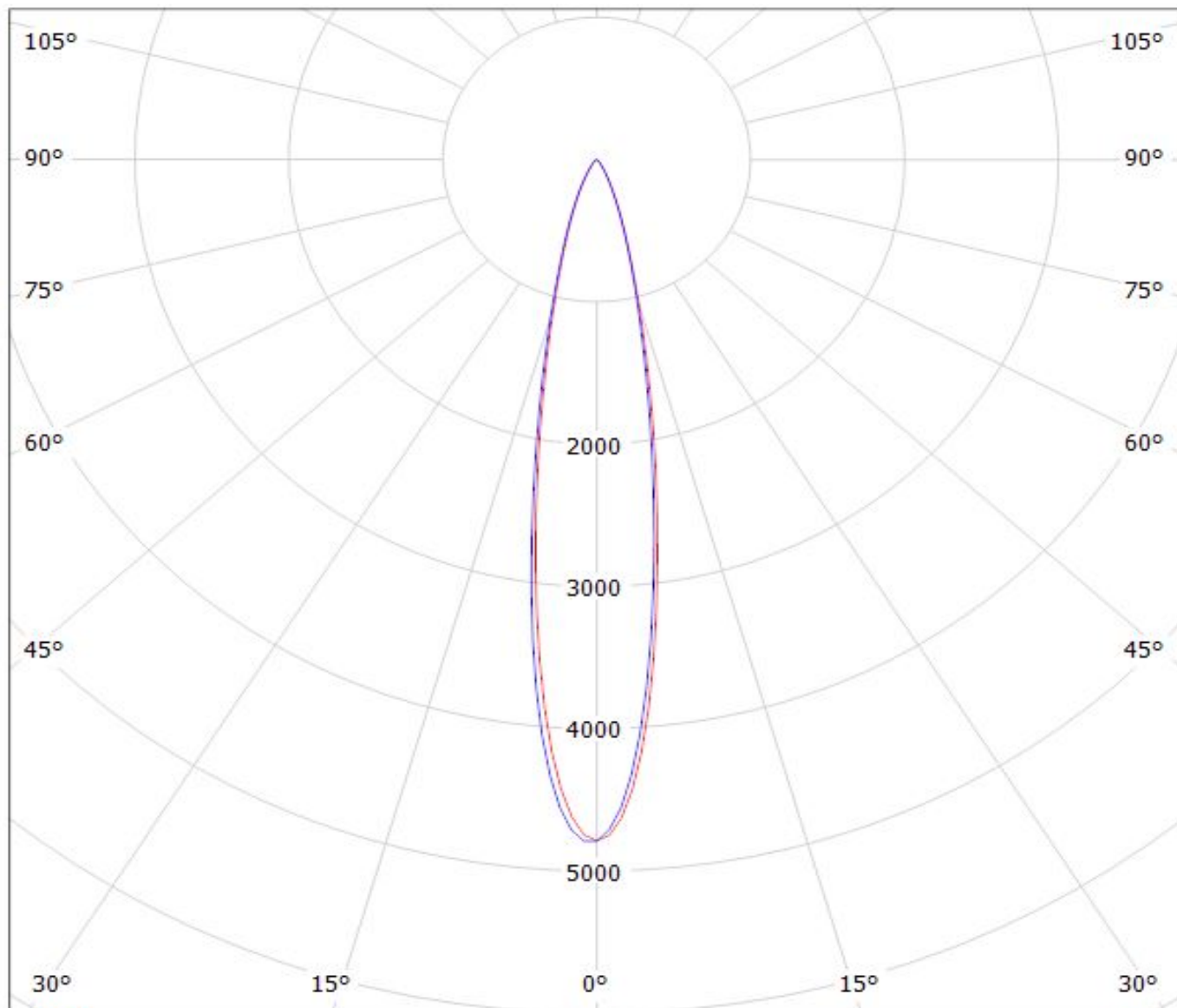


Luminaire: LEDiL Oy CA12530\_HEIDI-D\_(Z8Y22plus)

Lamps: 1 x Seoul\_Z8Y22plus\_(W6E2G)\_125.652lm@250mA\_P=0.69312W\_I=0.250A



Luminaire: Ledil Oy CA12530\_HEIDI-D\_(XP-L) Efficiency=85%  
Lamps: 1 x Cree XP-L 125lm @ 250mA CCT= P=0.72W I=250mA



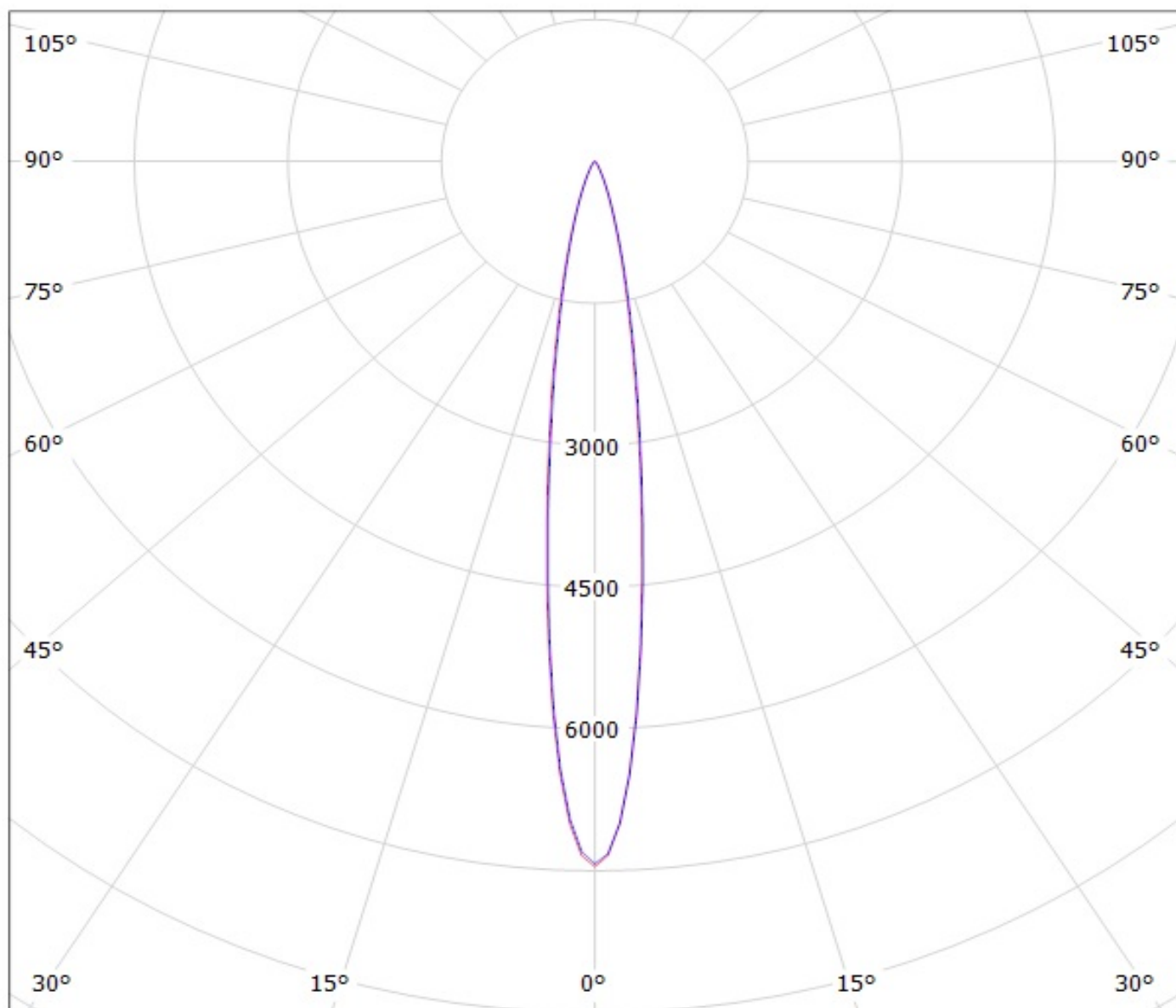
cd/klm

— C0 - C180 — C90 - C270

$\eta = 86\%$

Luminaire: LEDiL Oy CA12530\_HEIDI-D\_(Luxeon\_Rebel)

Lamps: 1 x Luxeon\_Rebel\_(LXM8-PW30)\_61.9761lm@250mA\_P=0.729\_I=250mA



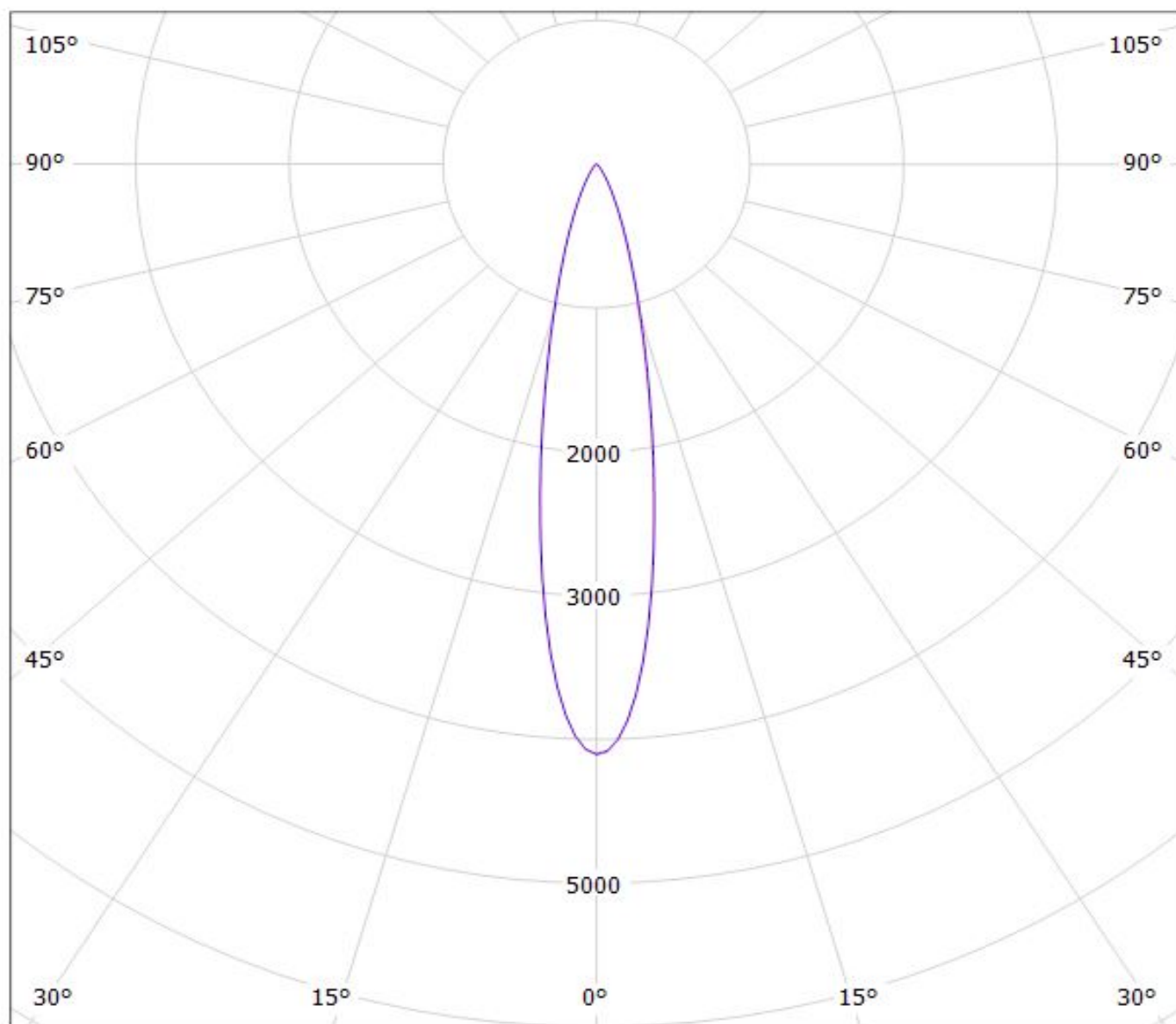
cd/klm

— C0 - C180 — C90 - C270

$\eta = 86\%$

Luminaire: LEDiL Oy CA12530\_HEIDI-D\_(NWSL229AE)

Lamps: 1 x Nichia\_NWSL229AE\_120.537lm@250mA\_P=0.7126W\_I=0.250A



cd/klm

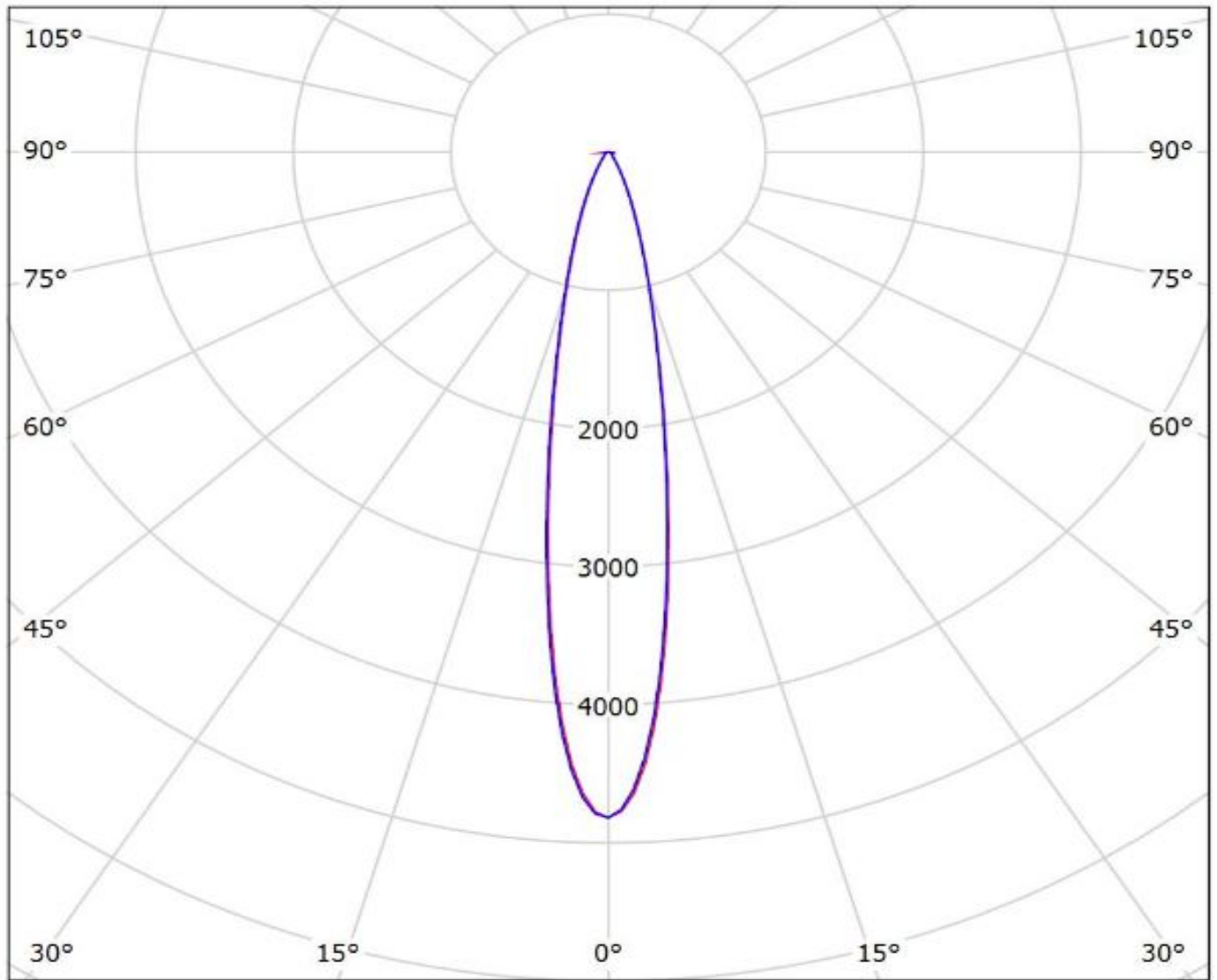
— C0 - C180

— C90 - C270

$\eta = 84\%$

Luminaire: Ledil CA12530\_HEIDI-D\_(NVSW319AE)

Lamps: 1 x Nichia\_NVSW319AE\_(sm405D440f2L2R70)\_126.795lm@250mA\_P=0.73515W\_I=0.250A



cd/klm

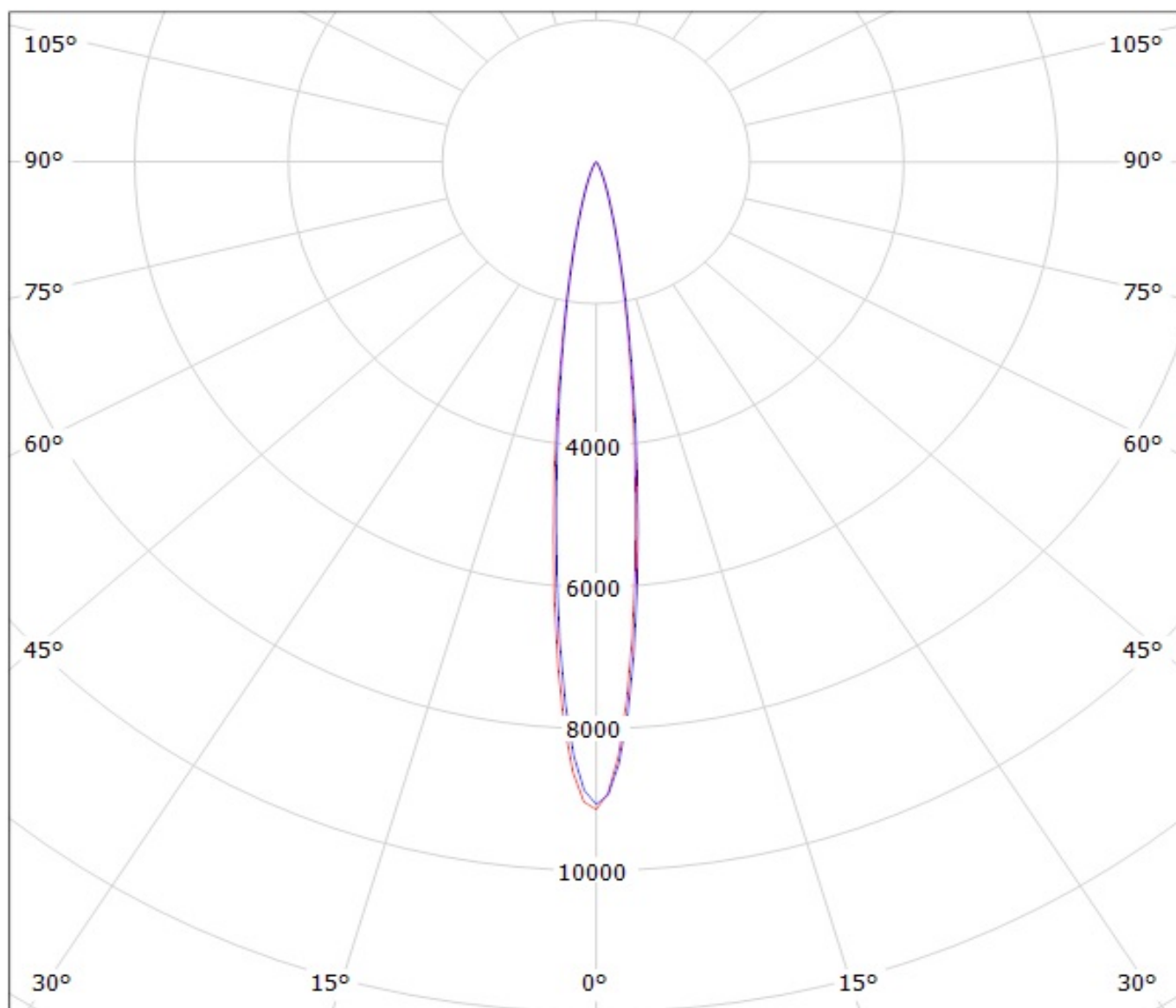
— C0 - C180

— C90 - C270

$\eta = 90\%$



Luminaire: LEDiL Oy CA12530\_HEIDI-D\_(Oslon\_SSL\_150)  
Lamps: 1 x Osram\_Oslon\_SSL\_150\_(LCW\_CRUP.EC-KTLP-607Q-1)  
\_77.1485lm@250mA\_P=0.744\_I=250mA



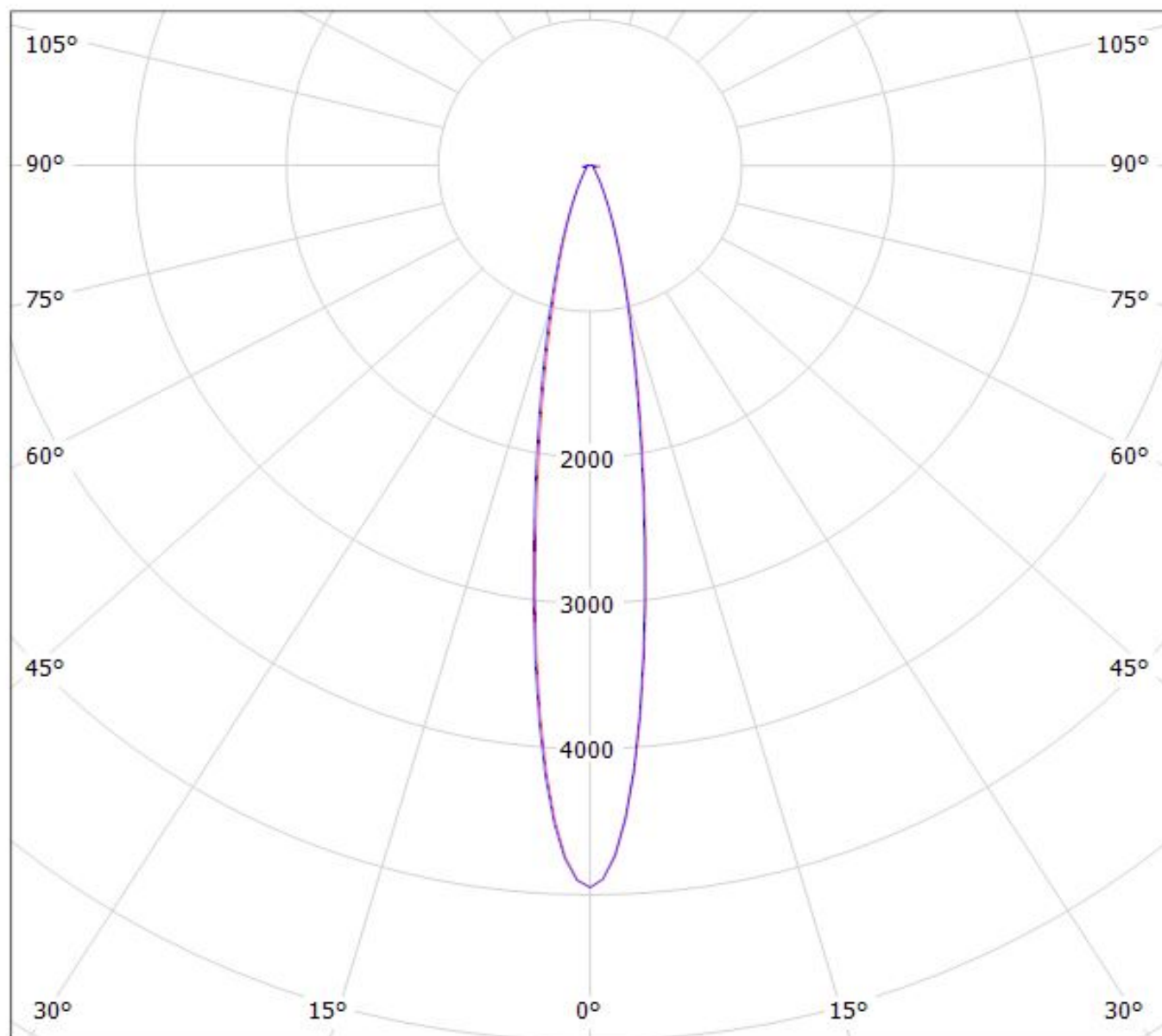
cd/klm

— C0 - C180 — C90 - C270

$\eta = 86\%$

Luminaire: LEDiL Oy CA12530\_HEIDI-D\_(Z8Y22plus)

Lamps: 1 x Seoul\_Z8Y22plus\_(W6E2G)\_125.652lm@250mA\_P=0.69312W\_I=0.250A



cd/klm

— C0 - C180

— C90 - C270

$\eta = 92\%$

**NOTE: The typical divergence will be changed by different color, chip size and chip position tolerance. The typical total divergence is the full angle measured where the luminous intensity is half of the peak value.**