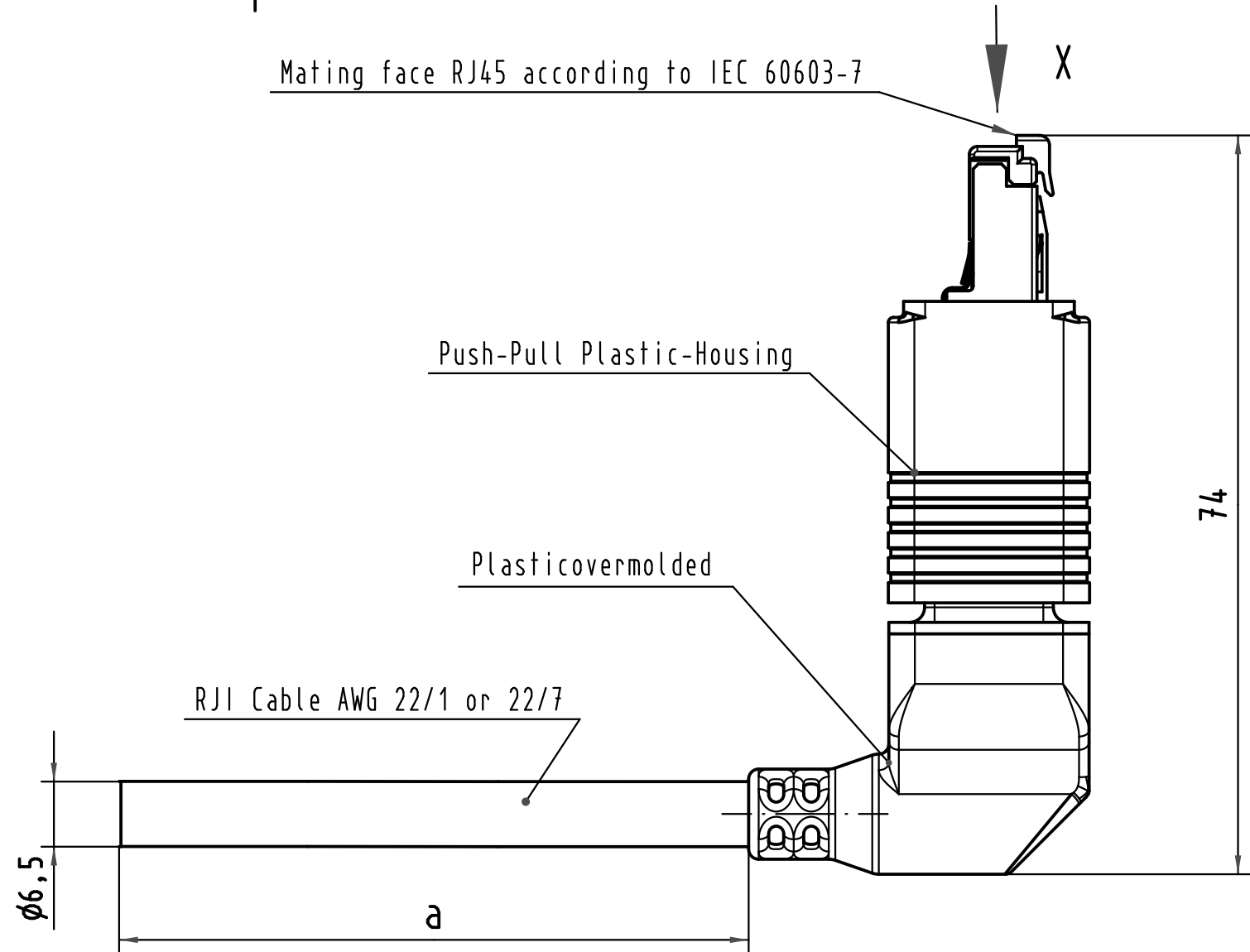
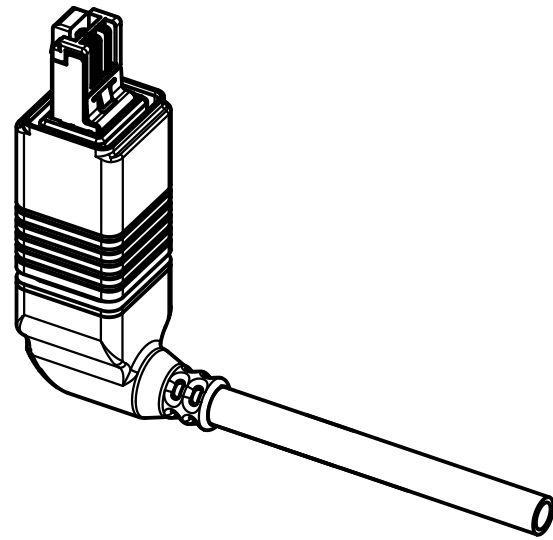
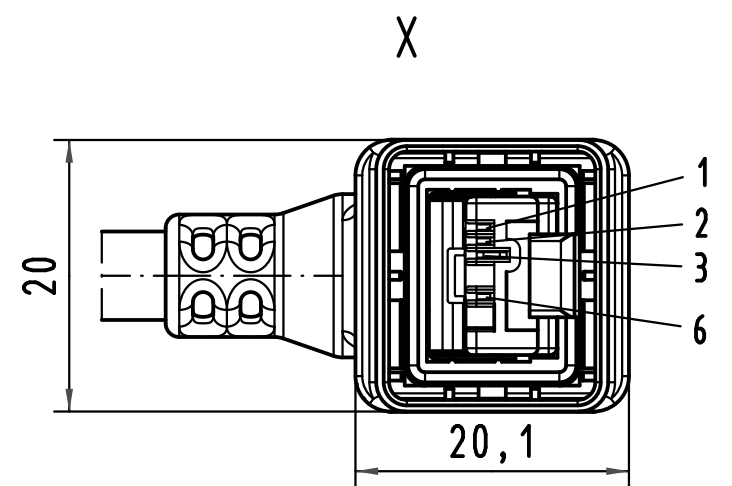
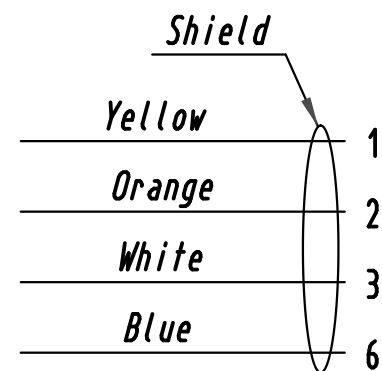


Alle Rechte vorbehalten/ All rights reserved



Loading-Plan



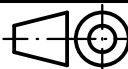

- Transmission properties in accordance with ISO/IEC 11801:2002: Class D.
- Protection level: IP67/65
- Temperature range: -40°C ...+60°C

All Dimensions in mm Original Size DIN A 3			Techn. Character.			Nicht tolerierte Maß/Free size tolerances			
			Dat.	Name	Maßstab/Scale	RJ45 cord 1xPush Pull overmolded angled 90°pos, 4xAWG22, IP67, CAT5			
			Detail.	15.02.06					MR
			Insp.						
			Stand.						
DRS490A	06.04.09	MS	HARTING Electronics GmbH & Co. KG				TB 09 47 37 00 xxx	Blatt/page 1/2	
32779			D-32339 ESPELKAMP						
Mod.	Dat.	Name	Sub.						

Alle Rechte vorbehalten/ All rights reserved

	1	2	3	4	5	6	7	8
	cont-No.	Part-No.	Type of cable	Dim. a				
A	1	09 47 37 00 001	AWG 22/1 solid	0,5 m				
	2	09 47 37 00 002	AWG 22/1 solid	1 m				
	3	09 47 37 00 003	AWG 22/1 solid	1,5 m				
	4	09 47 37 00 004	AWG 22/1 solid	2 m				
	5	09 47 37 00 005	AWG 22/1 solid	3 m				
	6	09 47 37 00 006	AWG 22/1 solid	4 m				
	7	09 47 37 00 007	AWG 22/1 solid	5 m				
	8	09 47 37 00 008	AWG 22/1 solid	6 m				
	9	09 47 37 00 009	AWG 22/1 solid	7 m				
B	10	09 47 37 00 010	AWG 22/1 solid	8 m				
	11	09 47 37 00 011	AWG 22/1 solid	9 m				
	12	09 47 37 00 012	AWG 22/1 solid	10 m				
	13	09 47 37 00 013	AWG 22/1 solid	15 m				
	14	09 47 37 00 014	AWG 22/1 solid	20 m				
	15	09 47 37 00 015	AWG 22/1 solid	30 m				
	16	09 47 37 00 016	AWG 22/1 solid	40 m				
	17	09 47 37 00 017	AWG 22/1 solid	50 m				
	18	09 47 37 00 018	AWG 22/1 solid	60 m				
	19	09 47 37 00 019	AWG 22/1 solid	70 m				
C	20	09 47 37 00 020	AWG 22/1 solid	80 m				
	21	09 47 37 00 021	AWG 22/1 solid	90 m				
	22	09 47 37 00 022	AWG 22/1 solid	100 m				
	23	09 47 37 00 023	AWG 22/7 stranded	0,5 m				
	24	09 47 37 00 024	AWG 22/7 stranded	1 m				
	25	09 47 37 00 025	AWG 22/7 stranded	1,5 m				
	26	09 47 37 00 026	AWG 22/7 stranded	2 m				
	27	09 47 37 00 027	AWG 22/7 stranded	3 m				
	28	09 47 37 00 028	AWG 22/7 stranded	4 m				
D	29	09 47 37 00 029	AWG 22/7 stranded	5 m				
	30	09 47 37 00 030	AWG 22/7 stranded	6 m				
	31	09 47 37 00 031	AWG 22/7 stranded	7 m				
	32	09 47 37 00 032	AWG 22/7 stranded	8 m				
	33	09 47 37 00 033	AWG 22/7 stranded	9 m				
	34	09 47 37 00 034	AWG 22/7 stranded	10 m				
	35	09 47 37 00 035	AWG 22/7 stranded	15 m				
	36	09 47 37 00 036	AWG 22/7 stranded	20 m				
	37	09 47 37 00 037	AWG 22/7 stranded	30 m				
	38	09 47 37 00 038	AWG 22/7 stranded	40 m				
E	39	09 47 37 00 039	AWG 22/7 stranded	50 m				
	40	09 47 37 00 040	AWG 22/7 stranded	60 m				
	41	09 47 37 00 041	AWG 22/7 stranded	70 m				
	42	09 47 37 00 042	AWG 22/7 stranded	80 m				
	43	09 47 37 00 043	AWG 22/7 stranded	90 m				
	44	09 47 37 00 044	AWG 22/7 stranded	100 m				
	45	09 47 37 00 045	AWG 22/7 trailing	0,5 m				
	46	09 47 37 00 046	AWG 22/7 trailing	1 m				
	47	09 47 37 00 047	AWG 22/7 trailing	1,5 m				
F	48	09 47 37 00 048	AWG 22/7 trailing	2 m				
	49	09 47 37 00 049	AWG 22/7 trailing	3 m				
	50	09 47 37 00 050	AWG 22/7 trailing	4 m				

	1	2	3	4	5	6	7	8
	cont-No.	Part-No.	Type of cable	Dim. a				
A	51	09 47 37 00 051	AWG 22/7 trailing	5 m				
	52	09 47 37 00 052	AWG 22/7 trailing	6 m				
	53	09 47 37 00 053	AWG 22/7 trailing	7 m				
	54	09 47 37 00 054	AWG 22/7 trailing	8 m				
	55	09 47 37 00 055	AWG 22/7 trailing	9 m				
	56	09 47 37 00 056	AWG 22/7 trailing	10 m				
	57	09 47 37 00 057	AWG 22/7 trailing	15 m				
	58	09 47 37 00 058	AWG 22/7 trailing	20 m				
	59	09 47 37 00 059	AWG 22/7 trailing	30 m				
	60	09 47 37 00 060	AWG 22/7 trailing	40 m				
	61	09 47 37 00 061	AWG 22/7 trailing	50 m				
	62	09 47 37 00 062	AWG 22/7 trailing	60 m				
	63	09 47 37 00 063	AWG 22/7 trailing	70 m				
	64	09 47 37 00 064	AWG 22/7 trailing	80 m				
	65	09 47 37 00 065	AWG 22/7 trailing	90 m				
	66	09 47 37 00 066	AWG 22/7 trailing	100 m				
	67	09 47 37 00 067	AWG 22/7 "outdoor"	0,5 m				
	68	09 47 37 00 068	AWG 22/7 "outdoor"	1 m				
	69	09 47 37 00 069	AWG 22/7 "outdoor"	1,5 m				
C	70	09 47 37 00 070	AWG 22/7 "outdoor"	2 m				
	71	09 47 37 00 071	AWG 22/7 "outdoor"	3 m				
	72	09 47 37 00 072	AWG 22/7 "outdoor"	4 m				
	73	09 47 37 00 073	AWG 22/7 "outdoor"	5 m				
	74	09 47 37 00 074	AWG 22/7 "outdoor"	6 m				
	75	09 47 37 00 075	AWG 22/7 "outdoor"	7 m				
	76	09 47 37 00 076	AWG 22/7 "outdoor"	8 m				
	77	09 47 37 00 077	AWG 22/7 "outdoor"	9 m				
	78	09 47 37 00 078	AWG 22/7 "outdoor"	10 m				
	79	09 47 37 00 079	AWG 22/7 "outdoor"	15 m				
D	80	09 47 37 00 080	AWG 22/7 "outdoor"	20 m				
	81	09 47 37 00 081	AWG 22/7 "outdoor"	30 m				
	82	09 47 37 00 082	AWG 22/7 "outdoor"	40 m				
	83	09 47 37 00 083	AWG 22/7 "outdoor"	50 m				
	84	09 47 37 00 084	AWG 22/7 "outdoor"	60 m				
	85	09 47 37 00 085	AWG 22/7 "outdoor"	70 m				
	86	09 47 37 00 086	AWG 22/7 "outdoor"	80 m				
	87	09 47 37 00 087	AWG 22/7 "outdoor"	90 m				
	88	09 47 37 00 088	AWG 22/7 "outdoor"	100 m				

 All Dimensions in mm Original Size DIN A 3	Techn. Character.			Nicht tolerierte Maß/Free size tolerances	
		Dat.	Name	 RJI cord 1xPush Pull overmolded angled 90°pos, 4xAWG22, IP67, CAT5	
		Detail.	15.02.06 MR		
		Insp.			
	Stand.				
DRS490A	06.04.09	MS	HARTING Electronics GmbH & Co. KG D-32339 ESPELKAMP		TB 09 47 37 00 xxx Blatt/ page 2 / 2
Mod.	Dat.	Name	Sub.		