

**Technical specification:**

Rated voltage: 48 V  
IEC 61076-2-109

Current rating: 500 mA at 40°C  
IEC 61076-2-109

Transmission properties: 10 Gigabit Ethernet  
ISO IEC 11801 CAT6

Surge voltage category: II

Pollution degree: 3  
IEC 60664-1

Degree of protection: IP 67, in mated condition  
IEC 60529

Temperature range: -25°C ... +85°C  
IEC 60664-1

Mating cycles: >=100  
IEC 60512-9a

**Materials:**

Contact: CuSn

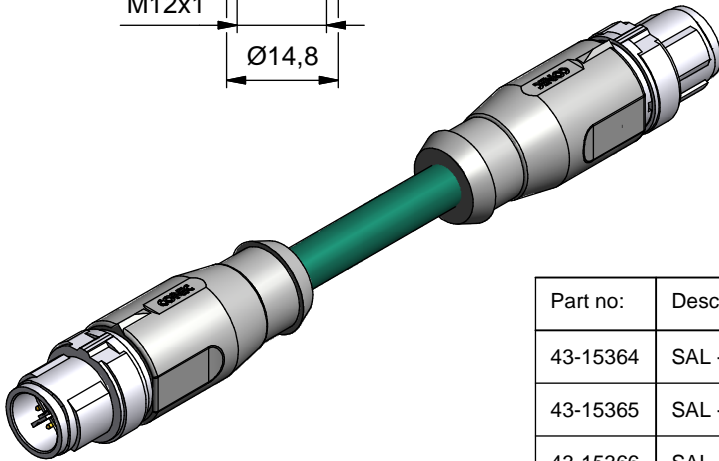
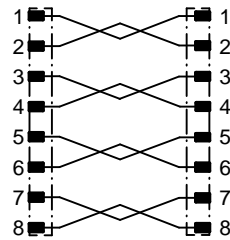
Contact plating: Nickel, gold plated

Contact carrier: PPA

Coupling screw: GD-Zn, nickel plated

Moulding body: TPU, UL 94, grey

**Contact assignment:**



Part no:	Description:	Length L:	Cable:
43-15364	SAL - 12X - RS8.8 - RS8.8 / 1 / GG	1m	TPU, water blue (RAL 5021), 4x2xAWG26/7; S-FTP Kabel: 781-GG180T
43-15365	SAL - 12X - RS8.8 - RS8.8 / 2 / GG	2m	
43-15366	SAL - 12X - RS8.8 - RS8.8 / 5 / GG	5m	
43-15367	SAL - 12X - RS8.8 - RS8.8 / 10 / GG	10m	
43-xxxxx	SAL - 12X - RS8.8 - RS8.8 / ... / GG	x	

D see data sheep cable

DO NOT ALTER CAD DRAWING BY HAND Directive 2002/95/EC RoHS compliant	dim. in mm		title: <h2 style="text-align: center;">Connecting cable, male connector M12x1 X-coded</h2>		
		date			name
	tolerance of cable:	$L \leq 4m: L + 40mm$ $L > 4m: L + 1\%$	drawn	29.09.11	Kniesburgers
	general tolerance:	$0 \pm 0,50mm$ $0,0 \pm 0,25mm$ $0,00 \pm 0,10mm$	appd.	05.10.11	Mankopf
				dwg no: <h2 style="text-align: center;">43K1A1473</h2>	
				part no: <h2 style="text-align: center;">see table</h2>	

THIS DRAWING MAY NOT BE COPIED OR REPRODUCED IN ANY WAY, AND MAY NOT BE PASSED ON TO A THIRD PARTY WITHOUT WRITTEN PERMISSION. OWNERSHIP AND COPYRIGHT OF CONEC GmbH