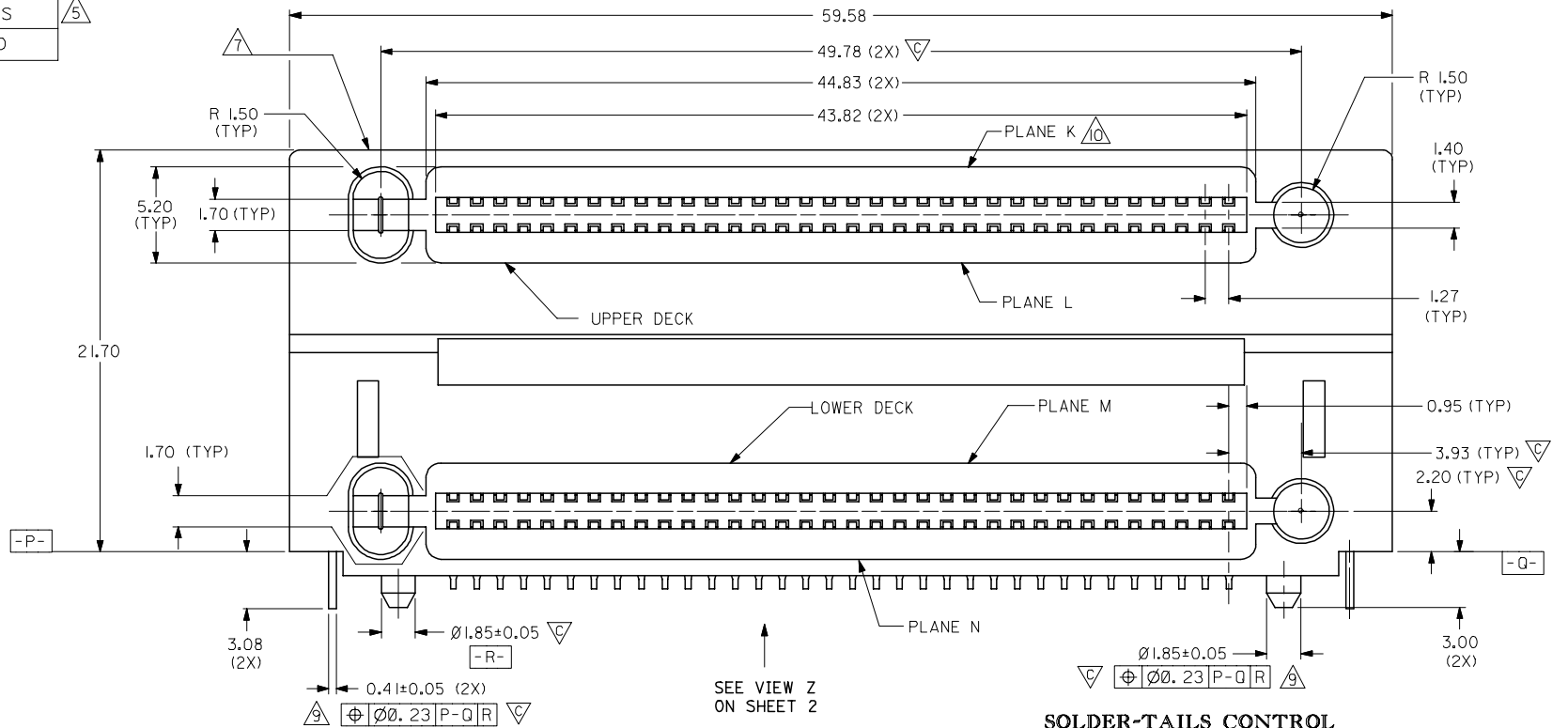
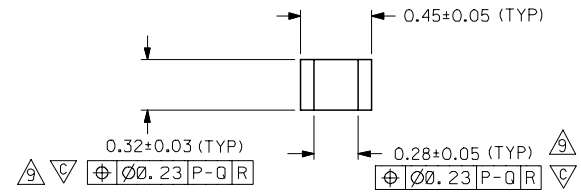


PART NUMBER	CKT SIZE	LUBRICATION
87599-1001	136	YES
87599-1011	136	NO



- NOTES
- MATERIAL:
HOUSING: LCP, 30% GLASS FILLED, UL94V-0, BLACK
TERMINALS: PHOSPHOR BRONZE
THREADED INSERT: BRASS
 - PLATING:
0.76um MIN. GOLD IN SELECTIVE CONTACT AREA AND
2.54um MIN. TIN IN SOLDER-TAIL AREA,
BOTH OVER 1.27um MIN. NICKEL.
 - RECOMMENDED PCB THICKNESS IS 1.57mm.
 - CIRCUIT #58 TO BE RECESSED 0.50mm. BEHIND ALL OTHER CONTACTS.
 - LUBRICATION TYPE IS NYETA CT 570H-2
 - TO MATE WITH MOLEX P/N 71661-7068
 - 4-DIGIT DATECODE "YYWW" TO BE LOCATED AS SHOWN. EXAMPLE: "9818"
 - THREADED INSERT DEPTH FROM SEATING PLANE IS 7.70mm.
 - ALL POSITIONAL TOLERANCE TO BE GAUGED.
 - BOW ALLOWABLE ON PLANE K, L, M, N SHALL BE
0.13mm MAX BEFORE IR AND 0.20mm MAX AFTER IR

SOLDER-TAILS CONTROL



OBS TIN/LEAD P/N EC NO: S2006-0729 DRWN:MLONG CHKD:SHONG APPR:KCLING	2006/02/27	2006/02/27	2006/02/28
	REV	DESCRIPTION	QUALITY SYMBOLS
			▽=0 ▽=8

	GENERAL TOLERANCES (UNLESS SPECIFIED)	
	mm	INCH
4 PLACES	± ---	± ---
3 PLACES	± ---	± ---
2 PLACES	± 0.25	± ---
1 PLACE	± ---	± ---
ANGULAR ± 3 °		

DIMENSION STYLE		SCALE	DESIGN UNITS	THIRD ANGLE PROJECTION
MM ONLY		NTS	METRIC	
DRAWN BY	DATE	TITLE		
PTL IM	1998/04/30	EBBI STACKED, RECEPTACLE		
CHECKED BY	DATE			
SKTOH	1998/07/02			
APPROVED BY	DATE			
JAMES	1998/07/06			
MATERIAL NO.	DOCUMENT NO.	SHEET NO.		
	SD-87599-001	1 OF 3		

DRAWN BY		DATE	TITLE	
PTL IM		1998/04/30	EBBI STACKED, RECEPTACLE	
CHECKED BY		DATE		
SKTOH		1998/07/02		
APPROVED BY		DATE		
JAMES		1998/07/06		
MATERIAL NO.	DOCUMENT NO.	SHEET NO.		
	SD-87599-001	1 OF 3		

10 9 8 7 6 5 4 3 2 1

F

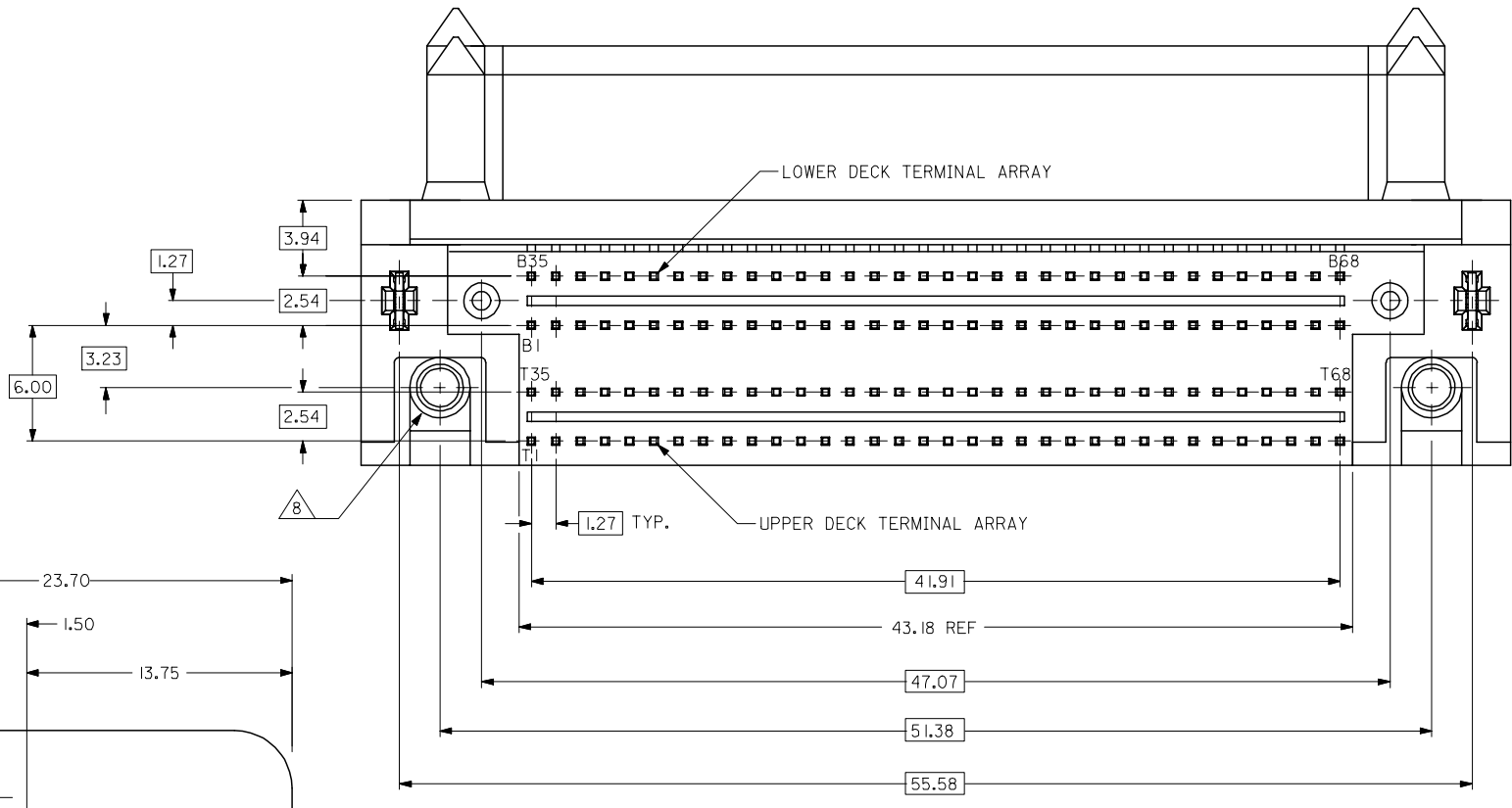
E

D

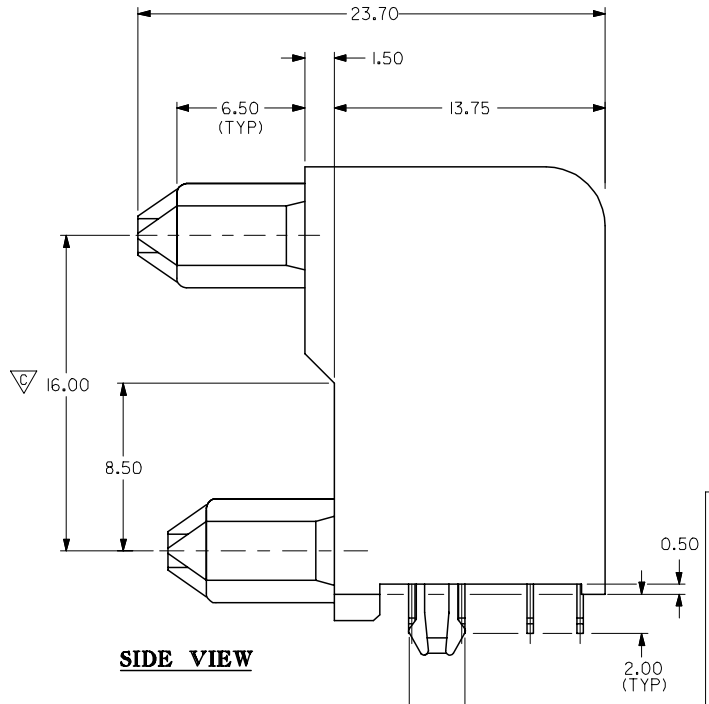
C

B

A



VIEW Z



SIDE VIEW

2.90±0.08 (2X)
 $\varnothing \varnothing .23 P-Q R$

OBS TIN/LEAD P/N	2006/02/27
EC NO: S2006-0729	2006/02/27
DRWN:MLONG	2006/02/27
CHKD:SHONG	2006/02/28
APPR:KCLING	2006/02/28

QUALITY SYMBOLS	$\nabla = 0$
	$\nabla = 2$

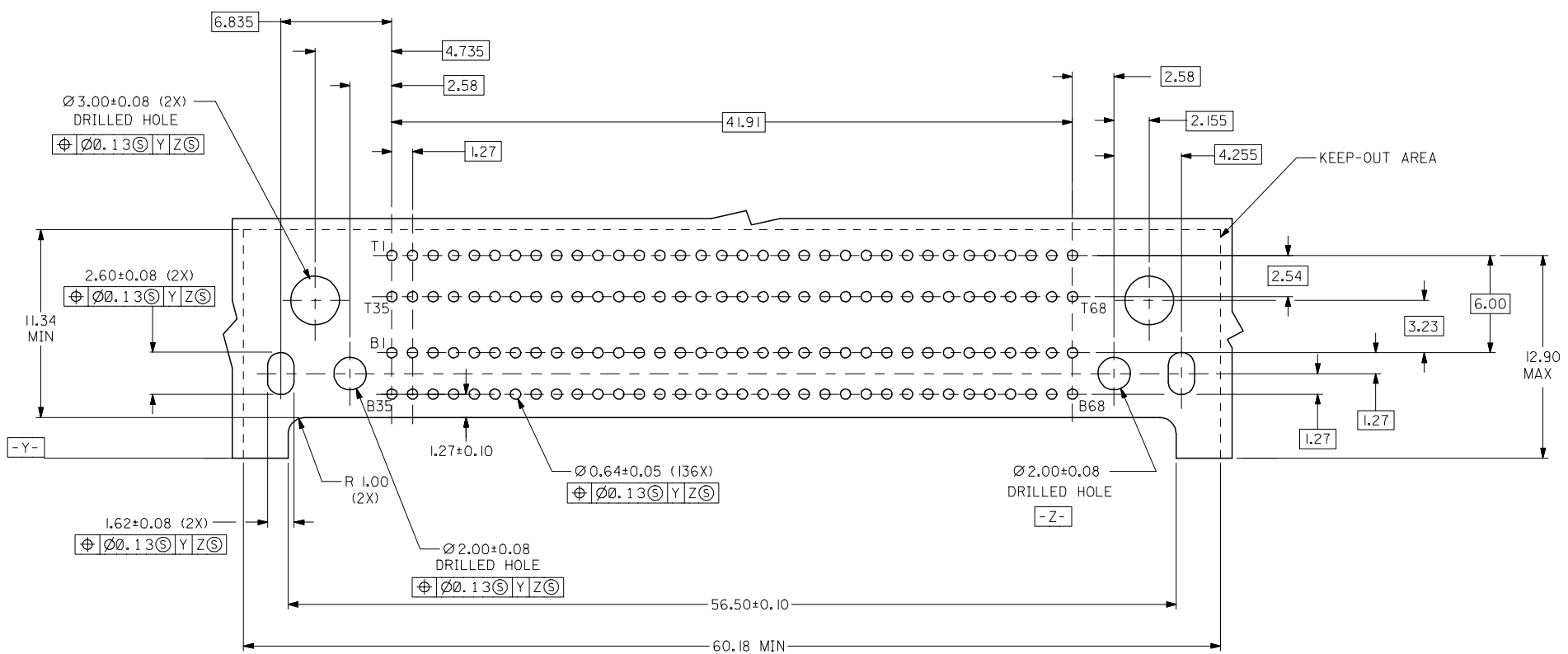
GENERAL TOLERANCES (UNLESS SPECIFIED)	
	mm
	INCH
4 PLACES	± ---
3 PLACES	± ---
2 PLACES	± 0.25
1 PLACE	± ---
ANGULAR ± 3 °	
DRAFT WHERE APPLICABLE MUST REMAIN WITHIN DIMENSIONS	

DIMENSION STYLE	
MM ONLY	
DRAWN BY	DATE
PTL IM	1998/04/30
CHECKED BY	DATE
SKTOH	1998/07/02
APPROVED BY	DATE
JAMES	1998/07/06
MATERIAL NO.	DOCUMENT NO.
SEE TABLE	SD-87599-001

SCALE	DESIGN UNITS	THIRD ANGLE PROJECTION
NTS	METRIC	
EBBI STACKED, RECEPTACLE		
MOLEX INCORPORATED		
SHEET NO.		2 OF 3

9 8 7 6 5 4 3 2 1

RECOMMENDED PCB LAYOUT



OBS TIN/LEAD P/N	EC NO: S2006-0729	2006/02/27
	DRWN:MLONG	2006/02/27
	CHKD:SHONG	2006/02/27
	APPR:KCLING	2006/02/28
	REV	DESCRIPTION

QUALITY SYMBOLS	▽=0
	△=0

GENERAL TOLERANCES (UNLESS SPECIFIED)		
	mm	INCH
4 PLACES	± ---	± ---
3 PLACES	± ---	± ---
2 PLACES	± 0.25	± ---
1 PLACE	± ---	± ---
ANGULAR ± 3 °		
DRAFT WHERE APPLICABLE MUST REMAIN WITHIN DIMENSIONS		

DIMENSION STYLE	
MM ONLY	
DRAWN BY	DATE
PTL IM	1998/04/30
CHECKED BY	DATE
SKTOH	1998/07/02
APPROVED BY	DATE
JAMES	1998/07/06
MATERIAL NO.	
SEE TABLE	
SIZE	
A3	

SCALE	DESIGN UNITS	THIRD ANGLE PROJECTION	
NTS	METRIC		
EBBI STACKED, RECEPTACLE			
MOLEX INCORPORATED			
DOCUMENT NO.		SHEET NO.	
SD-87599-001		3 OF 3	
THIS DRAWING CONTAINS INFORMATION THAT IS PROPRIETARY TO MOLEX INCORPORATED AND SHOULD NOT BE USED WITHOUT WRITTEN PERMISSION			