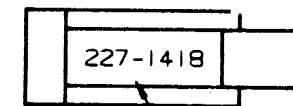
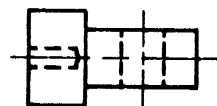
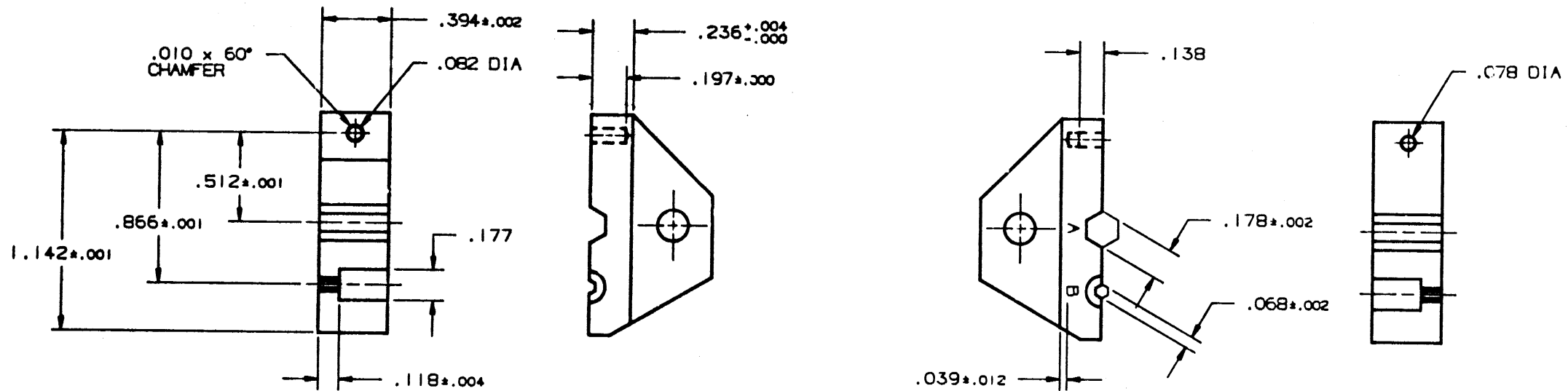


DO NOT SCALE THIS DRAWING

REVISIONS				
SYM	DESCRIPTION	DATE	E.C.O. NO.	APPR.
A	OFFICIAL ENG. RELEASE TO MFG.	12/14/88	36043	DR

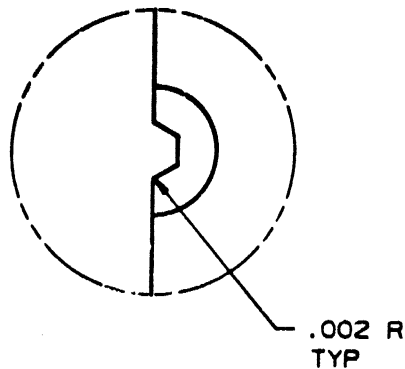


227-1418

DRAWING NUMBER ISSUE

A

STAMP AS SHOWN.



NOTES:

1. MATERIAL: CRIMPING DIES - TOOL STEEL. HEAT TREAT TO ROCKWELL C52-60
2. FINISH: FINISH ON CRIMPING SURFACES 32 MICROINCHES MAX. BLACK OXIDE COATING PER MIL-C-13924.
3. USE WITH 227-987 HANDLE.
4. REF: MIL CRIMP TOOL DIE SET EQUIVALENT IS 227-1221-09.
5. USE TO CRIMP ON CABLES RG122, RG180, RG195, RG174, RG179, RG187, RG188, RG316 AND ESSEX 21-597.

DIES ALIKE IF NOT OTHERWISE STATED. MARKING ALIGNED WITH CAVITIES STAMPED LETTERS A & B. TEXT HEIGHT 1/16.

PART NO.	QUAN	UOM	DESCRIPTION	CODE	FINISH
LIST OF MATERIAL					

REMOVE ALL BURRS, BREAK CORNERS AND SHARP EDGES TO MAXIMUM UNLESS OTHERWISE SPECIFIED.

NOTICE - These drawings, specifications, or other data (1) are, and remain, the property of Amphenol Corp. (2) must be returned upon request, and (3) are confidential and are not to be disclosed to any person other than those to whom they are given by Amphenol Corp. The furnishing of these drawings, specifications, or other data by Amphenol Corp. or by any other person to anyone for any purpose is not to be regarded by implication or otherwise as in any manner licensing, granting rights or permitting such holder or any other person to manufacture, use or sell any product, process or design patented or otherwise, that may in any way be related to or disclosed by said drawings, specifications or other data.

NEXT ASSY	USED ON
NOTE 1	
NOTE 2	
FINISH	

UNLESS OTHERWISE SPECIFIED DIMENSIONS ARE IN INCHES. TOLERANCES NOT OTHERWISE SPECIFIED ARE:	3 PLACE DECIMAL ± .018 (0.381 mm)	3 PLACE DECIMAL ± .008 (0.127 mm)	ANGLES ± 1°
REFERENCE DRAWING NO.	EAR 70264-2		
	PRESSMASTER		
	4100-1947		

DRAWN BY	DATE
TERRI ALBERA	11-2-88
CHECKED	DATE
D. ROYCE	12-9-88
ENGINEER	DATE
D. ROYCE	12-9-88
QUALITY ASSURANCE	DATE
	12/14/88
DATE	12/14/88

TITLE	DIE SET
CODE IDENTIFICATION	74868
DRAWING SIZE	C
DRAWING NO.	227-1418

Amphenol Corporation	
RF/Microwave Operations Danbury, Conn. U.S.A.	
SCALE	2:1
SHEET	OF
ISSUE	A