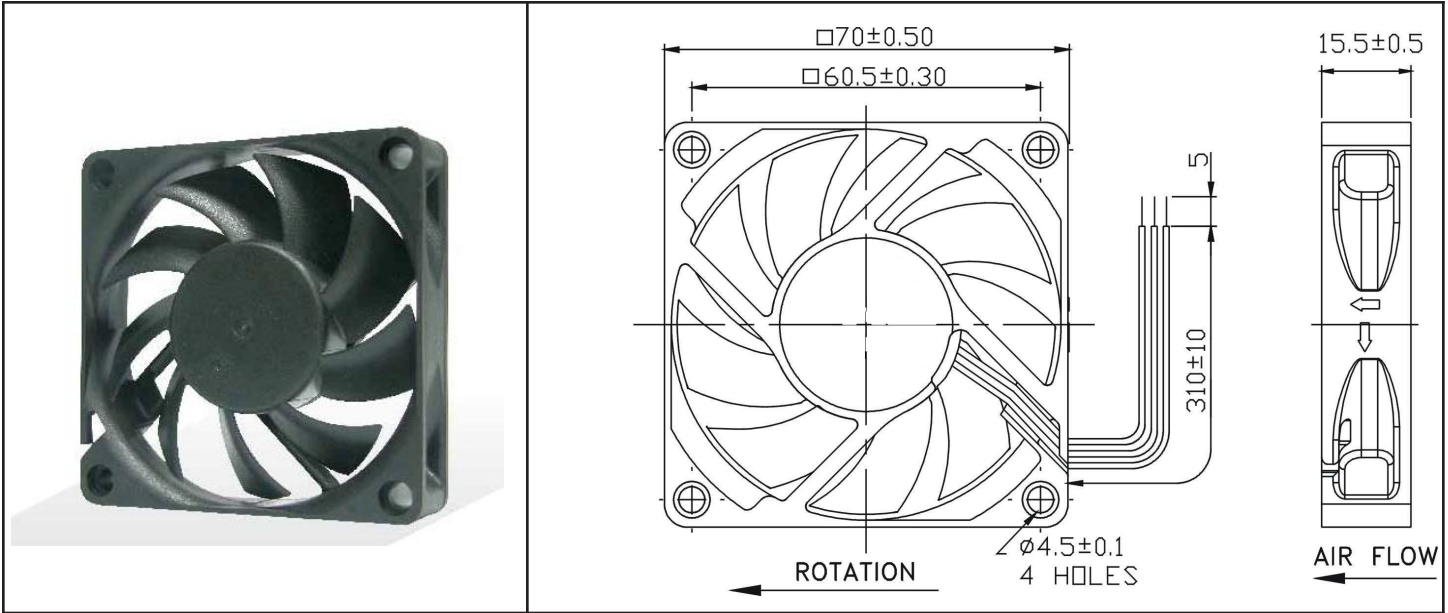


OD7015-12HHB01A



DC Fan, 12VDC
70x15mm (2.76x.60in)



Frame & Impeller	PBT, UL94V-0 plastic	Available Options	Static Pressure mmH ₂ O: 8.41 inH ₂ O: .3311
Connection	3x Lead wires *		
Motor	Brushless DC, auto restart, polarity protected.	IP55 Other speeds and voltages Alarm	
Bearing System	Dual ball bearing	*Connection: Wire Leads - UL1007 24AWG Red(+), Black (-), White Tachometer	
Insulation Resistance	Min. 10M at 500VDC		
Dielectric Strength	1 second at 500VAC max leakage 500 microamp	Weight: 61 g	
Temperature Range	-10C ~ +70C		
Storage Temperature	-40C ~ +80C		
Life (L10)	70,000 hours (40C)		

Model Number	OD7015-12HHB01A	*Output type.....Open collector type *Electrical design suggestion: (External signal function design is decided by customer)
Part Number	112151221	
Nominal Voltage	12 VDC	
Voltage Range	7~13.2 VDC	
Nominal Current	.26 A	*Transistor Q1 at "ON" position Collector current.....I _c =10mA Max Saturation Voltage.....V _{OL} =1.0V Max (Between Collector and Emitter at I _c =10mA) *Transistor Q1 at "OFF" position Release Voltage.....V _{OH} =15V Max
Rated Power	4.32 Watts	
Rated Speed (RPM)	5500	
Airflow (CFM)	41	
Noise Level (dB)	44.5	
Max. Static Pressure	.26 "H ₂ O	