

THIS DRAWING IS UNPUBLISHED. RELEASED FOR PUBLICATION 18MAY, 2006.

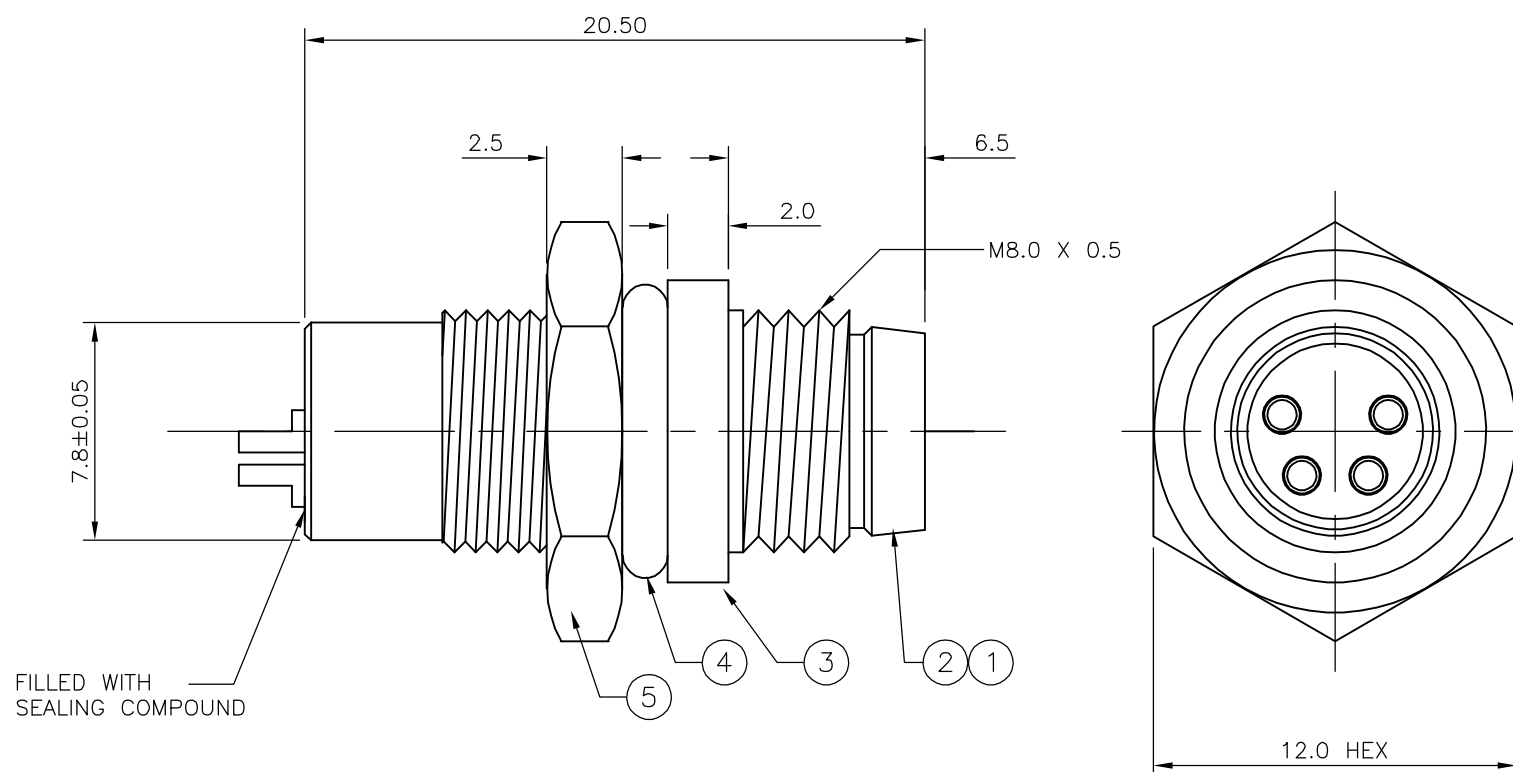
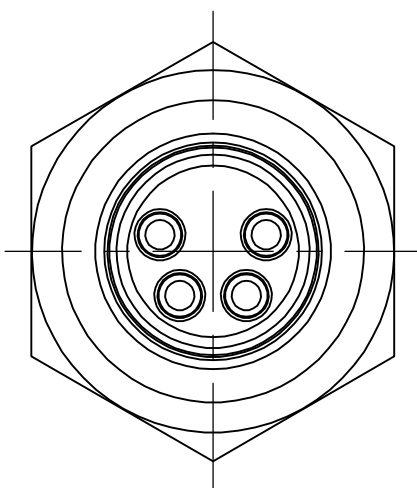
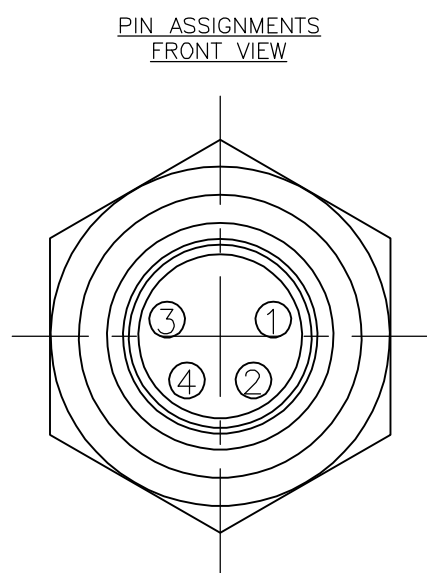
© COPYRIGHT 2006 BY TYCO ELECTRONICS CORPORATION. ALL RIGHTS RESERVED.

LOC	DIST	REVISIONS					
E	B	P	LTR	DESCRIPTION	DATE	DWN	APVD
		B		ECR-06-6481	15/11/06	AM	FWK

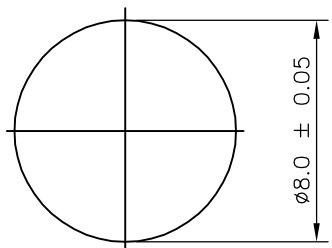
NOTES:

- ELECTRICAL DATA: CONTACT RESISTANCE: 10 mOhm MAX  
INSULATION RESISTANCE: 100 MOhm MIN at 500VDC  
CURRENT RATING: 5 AMPS FOR 3  
BREAKDOWN VOLTAGE: 500 VAC MIN PER MINUTE
- ENVIRONMENTAL: OPERATING TEMPERATURE: -25°C TO +90°C  
SEALING REQUIREMENTS: IP67
- PROD SPEC: 108-3641
- PACKAGING: 107-3334
- FOR TECHNICAL DATA REFER TO YOUR LOCAL TYCO ELECTRONICS SALES OFFICE.
- ALL DIMENSIONS ARE NOMINAL FOR REFERENCE ONLY UNLESS OTHERWISE STATED.

ITEM	DESCRIPTION	MATERIAL	FINISH/COLOUR	QTY
1	CONNECTOR HOUSING	GF NYLON	BLACK	1
2	PIN CONTACT	BRASS	0.15µm GOLD OVER NICKEL	4
3	CONNECTOR BODY	BRASS	NICKEL PLATED	1
4	'O' RING	EPDM	BLACK	1
5	SCREW NUT	BRASS	2.5µm NICKEL PLATED	1



RECOMMENDED PANEL CUT-OUT  
(MAX PANEL THICKNESS 3.0mm)



M8 SHIELDED METAL MALE PANEL MOUNT CONNECTOR, SOLDER, STRAIGHT, REAR (CIRCULAR) MOUNTING	4	1814445-2
DESCRIPTION	NO. OF POS	PART NUMBER

THIS DRAWING IS A CONTROLLED DOCUMENT.		DWN A.Morey 18MAY06	Tyco Electronics Corporation Bideford, UK, EX39 4HE													
DIMENSIONS: mm		CHK F.Wheeler-King 19MAY06														
TOLERANCES UNLESS OTHERWISE SPECIFIED:		APVD F.Wheeler-King 19MAY06	NAME M8 SHIELDED METAL MALE PANEL MOUNT CONNECTOR, SOLDER, STRAIGHT, REAR (CIRCULAR) MOUNTING													
<table border="1"> <tr><td>0 PLC</td><td>± -</td></tr> <tr><td>1 PLC</td><td>± -</td></tr> <tr><td>2 PLC</td><td>± -</td></tr> <tr><td>3 PLC</td><td>± -</td></tr> <tr><td>4 PLC</td><td>± -</td></tr> <tr><td>ANGLES</td><td>± -</td></tr> </table>		0 PLC	± -	1 PLC	± -	2 PLC	± -	3 PLC	± -	4 PLC	± -	ANGLES	± -	PRODUCT SPEC -	SIZE A3	
0 PLC	± -															
1 PLC	± -															
2 PLC	± -															
3 PLC	± -															
4 PLC	± -															
ANGLES	± -															
MATERIAL -		APPLICATION SPEC -	CAGE CODE 00779	DRAWING NO C-1814445												
FINISH -		WEIGHT -	RESTRICTED TO -													
CUSTOMER DRAWING			SCALE NTS	SHEET 1 OF 1												
			REV B													