

THIS DRAWING IS UNPUBLISHED.

RELEASED FOR PUBLICATION

© COPYRIGHT -

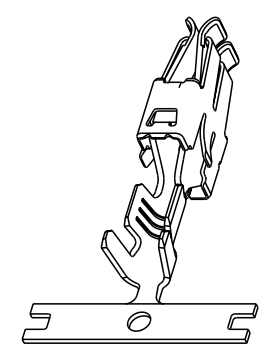
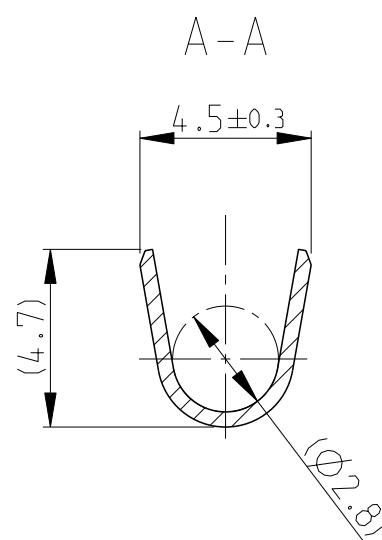
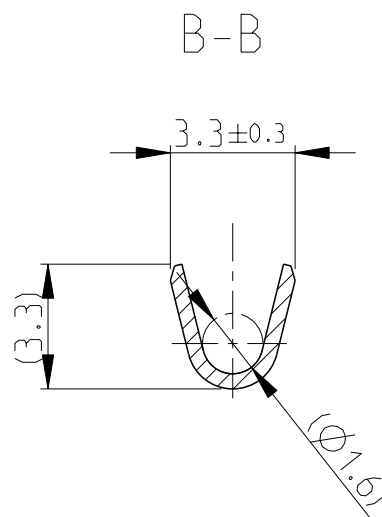
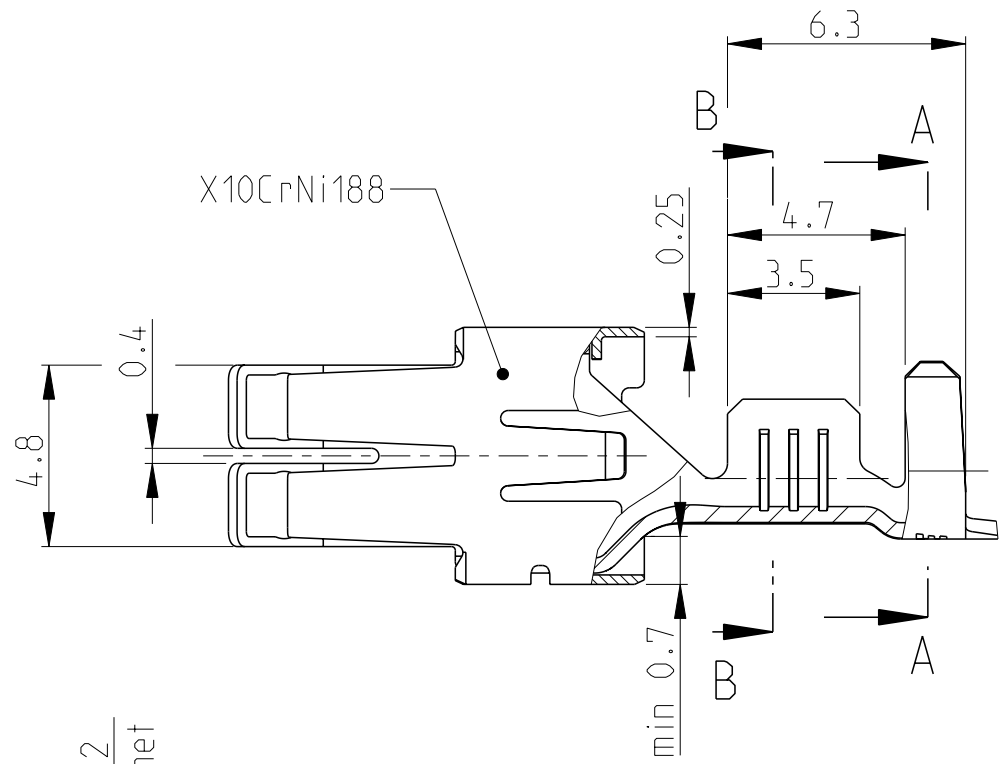
ALL RIGHTS RESERVED.

LOC  
A1

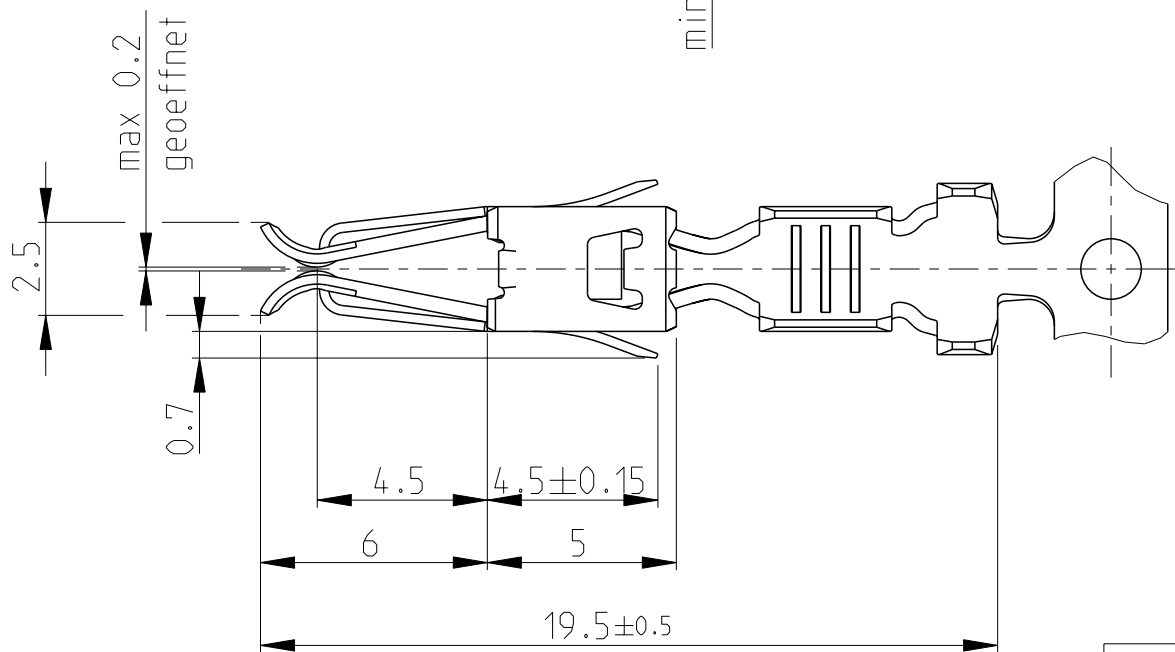
DIST  
-

REVISIONS

P	LTR	DESCRIPTION	DATE	DWN	APVD
	A	NEW PRODUCT	18MAY2012	JS	RS
	B	SEE ECR 12-011920	21JUN2012	JS	RS



2:1



INSUL. RANGE Ø2.0-2.8 mm	WIRE RANGE 0.8-1.3 mm <sup>2</sup> (AWG 18-16)
--------------------------------	--

-	vorversilbert/PRESILVERED	CuFe2	1862006-5	B
-	vorverzinkt/PRETINNED	CuFe2	1862006-1	B
LP NO	FINISH	MATERIAL	PART NO.	REV

THIS DRAWING IS A CONTROLLED DOCUMENT.

DIMENSIONS: mm	TOLERANCES UNLESS OTHERWISE SPECIFIED: ±0.2
	0 PLC ± 1 PLC ± 2 PLC ± 3 PLC ± 4 PLC ± ANGLES ±°
MATERIAL -	FINISH -

DWN J.SALO	18MAY2012
CHK X.PARERAS	18MAY2012
APVD R.SOIF	18MAY2012
PRODUCT SPEC	108-18025
APPLICATION SPEC	114-18037
WEIGHT	-

TE Connectivity		NAME STANDARD POWER TIMER KONTAKT		
		SIZE A3	CAGE CODE 00779	DRAWING NO C=1862006
CUSTOMER DRAWING		SCALE 5:1	SHEET 1 OF 1	REV B