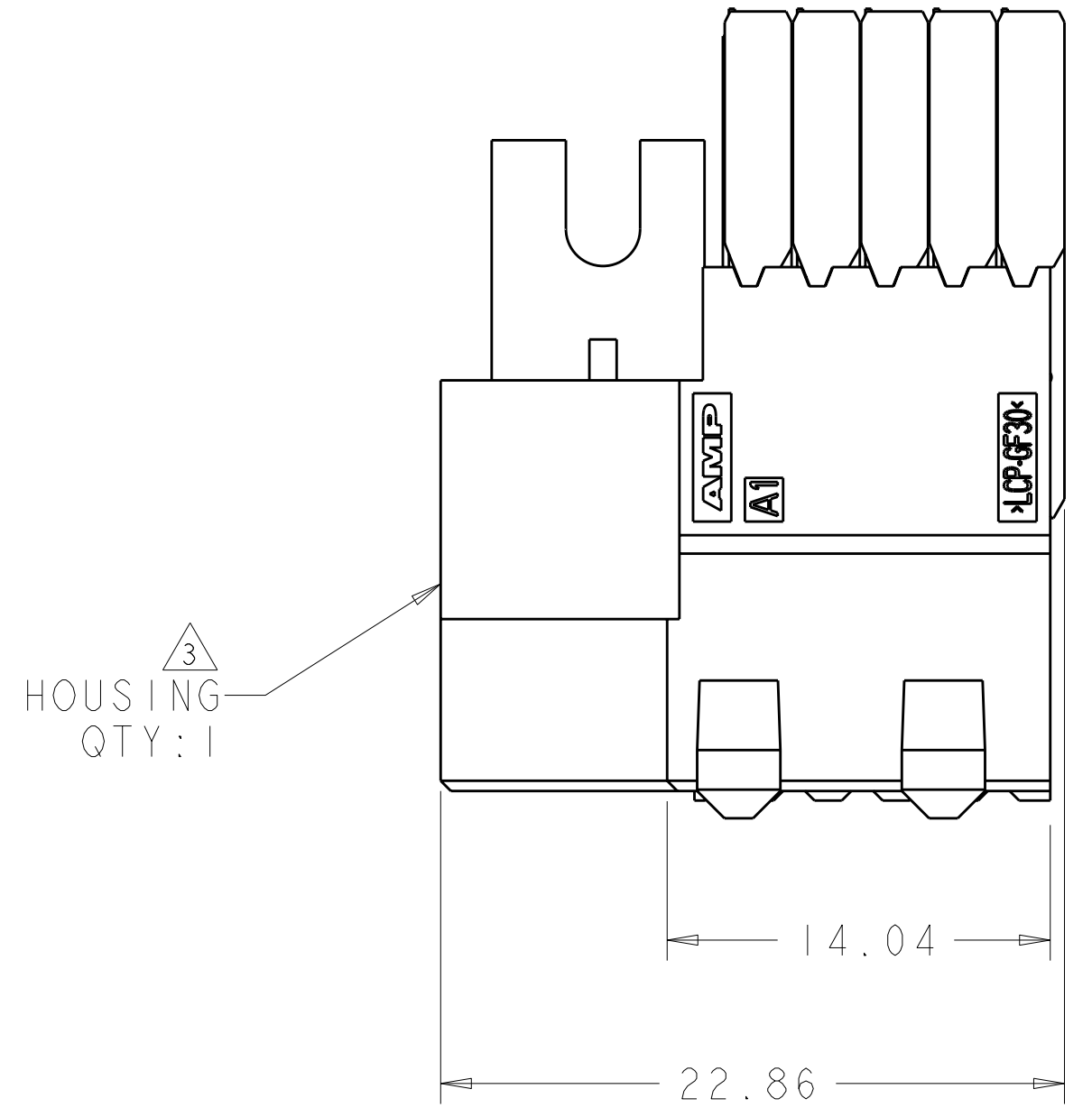
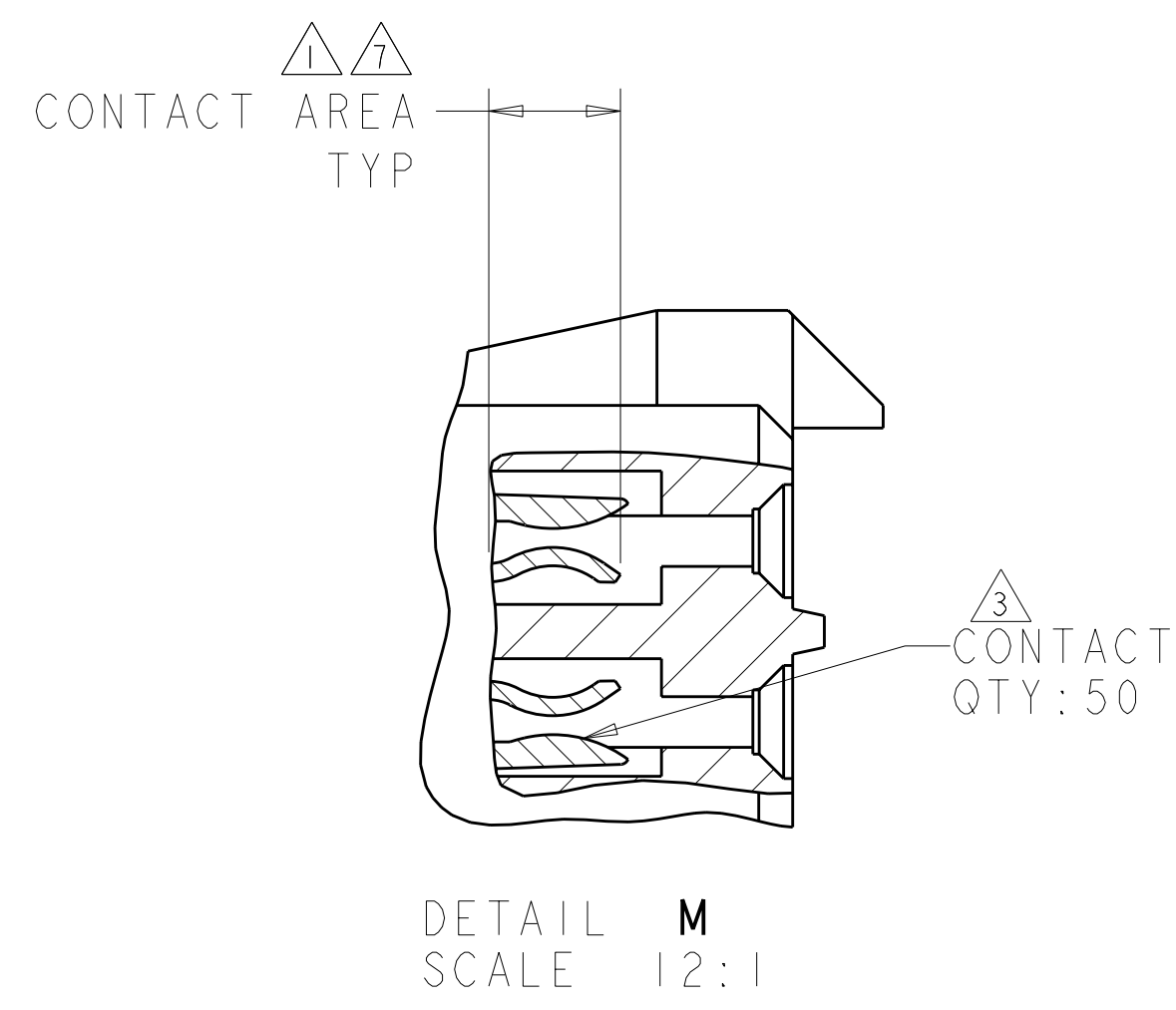
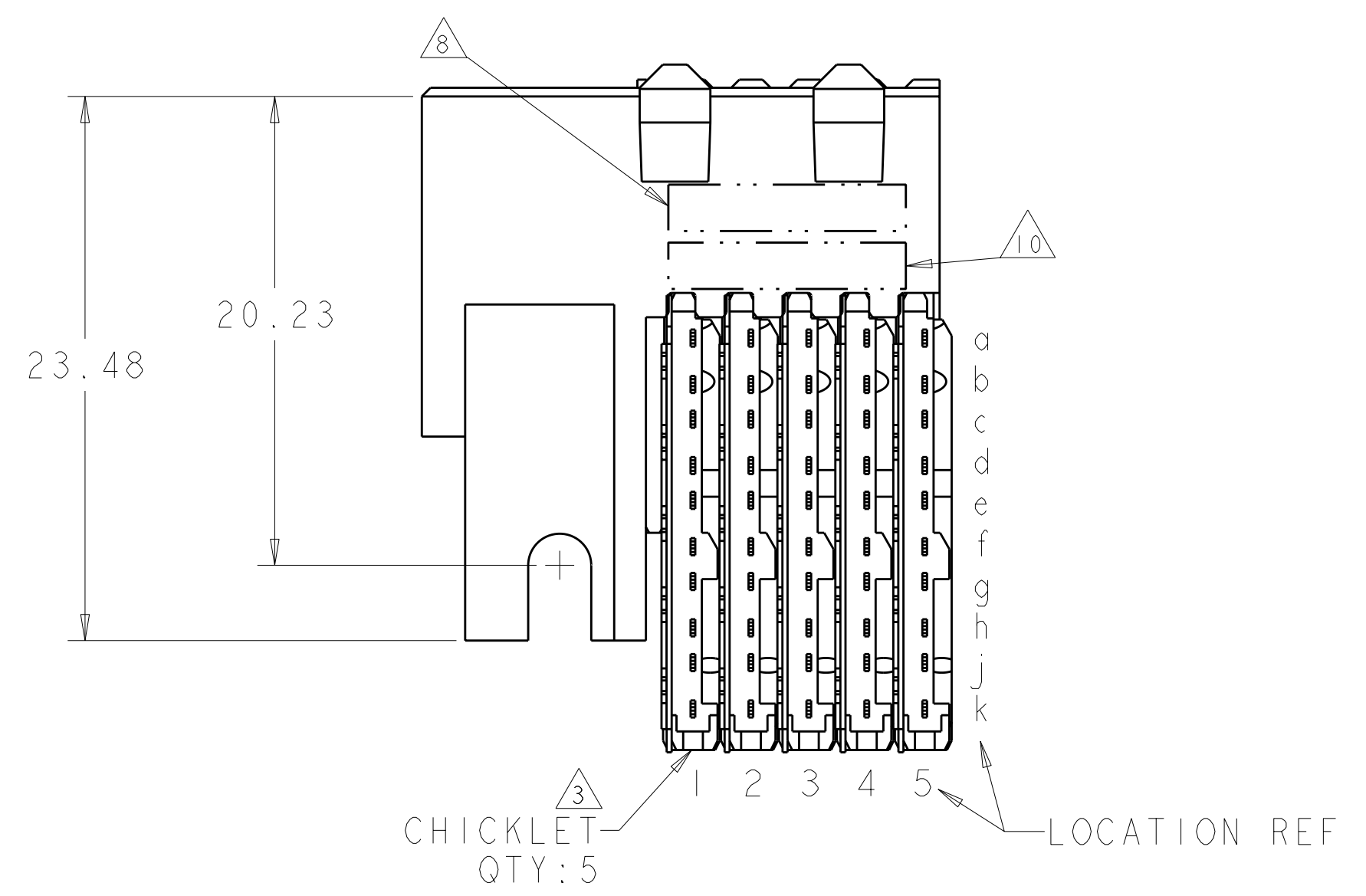
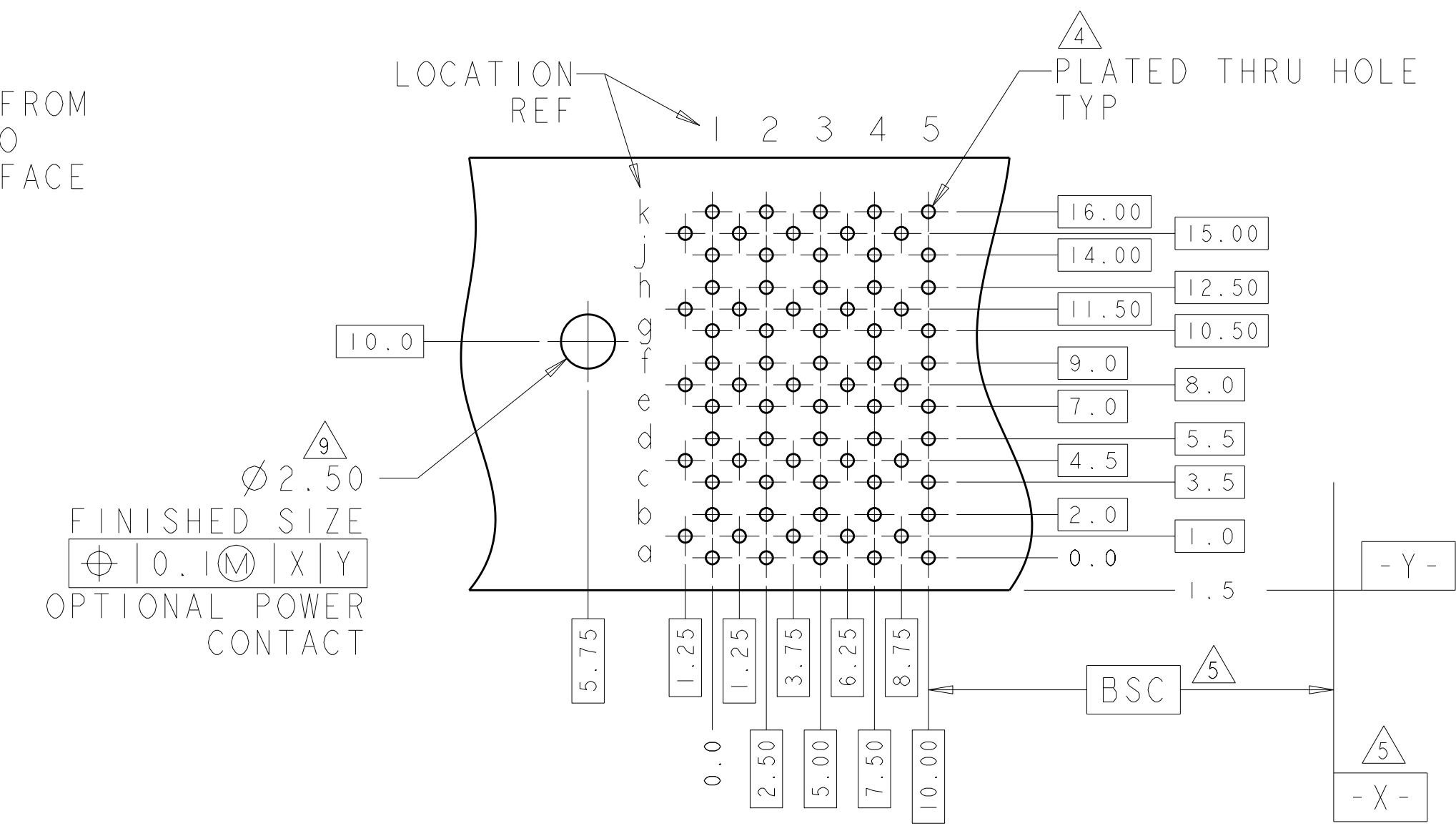
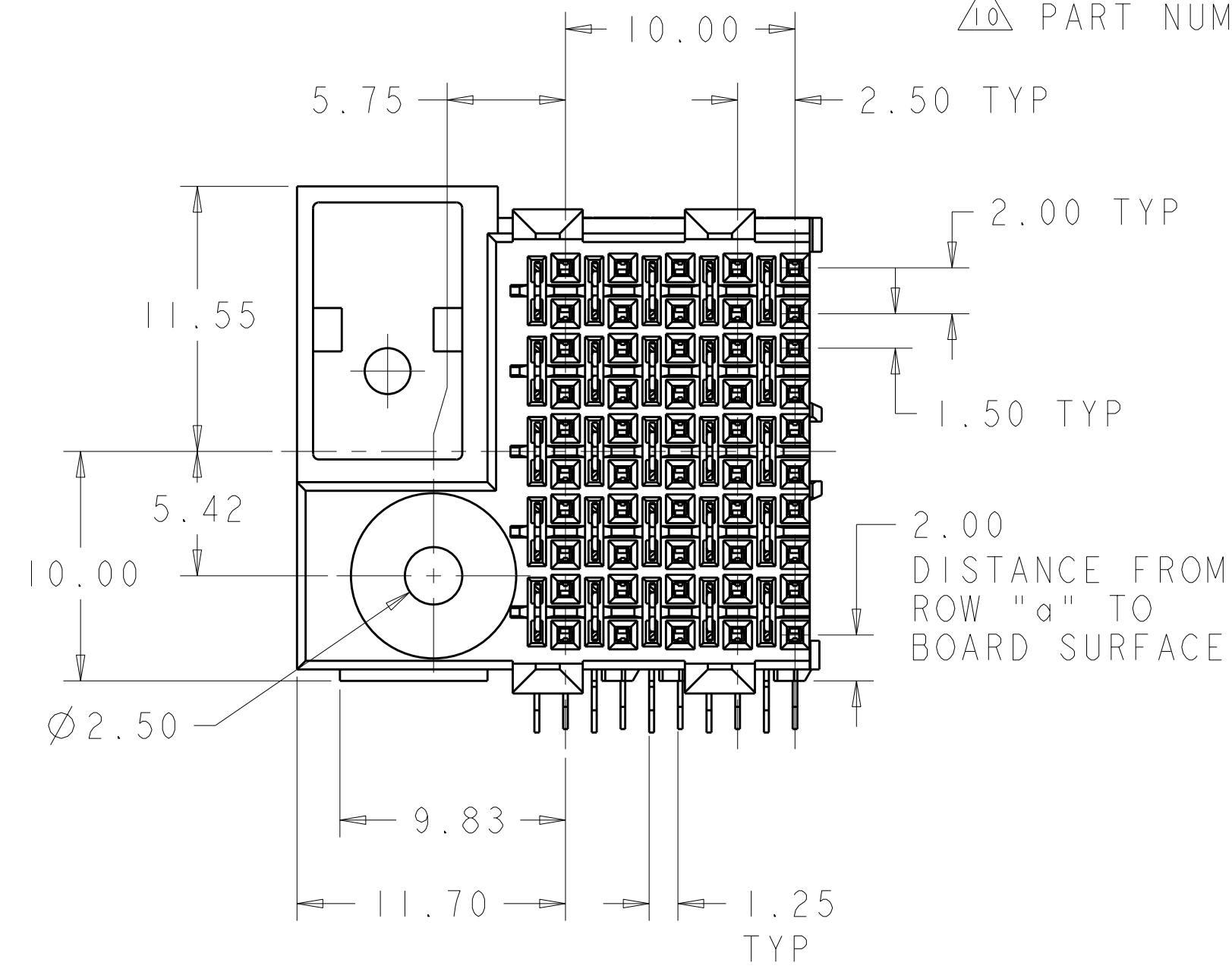
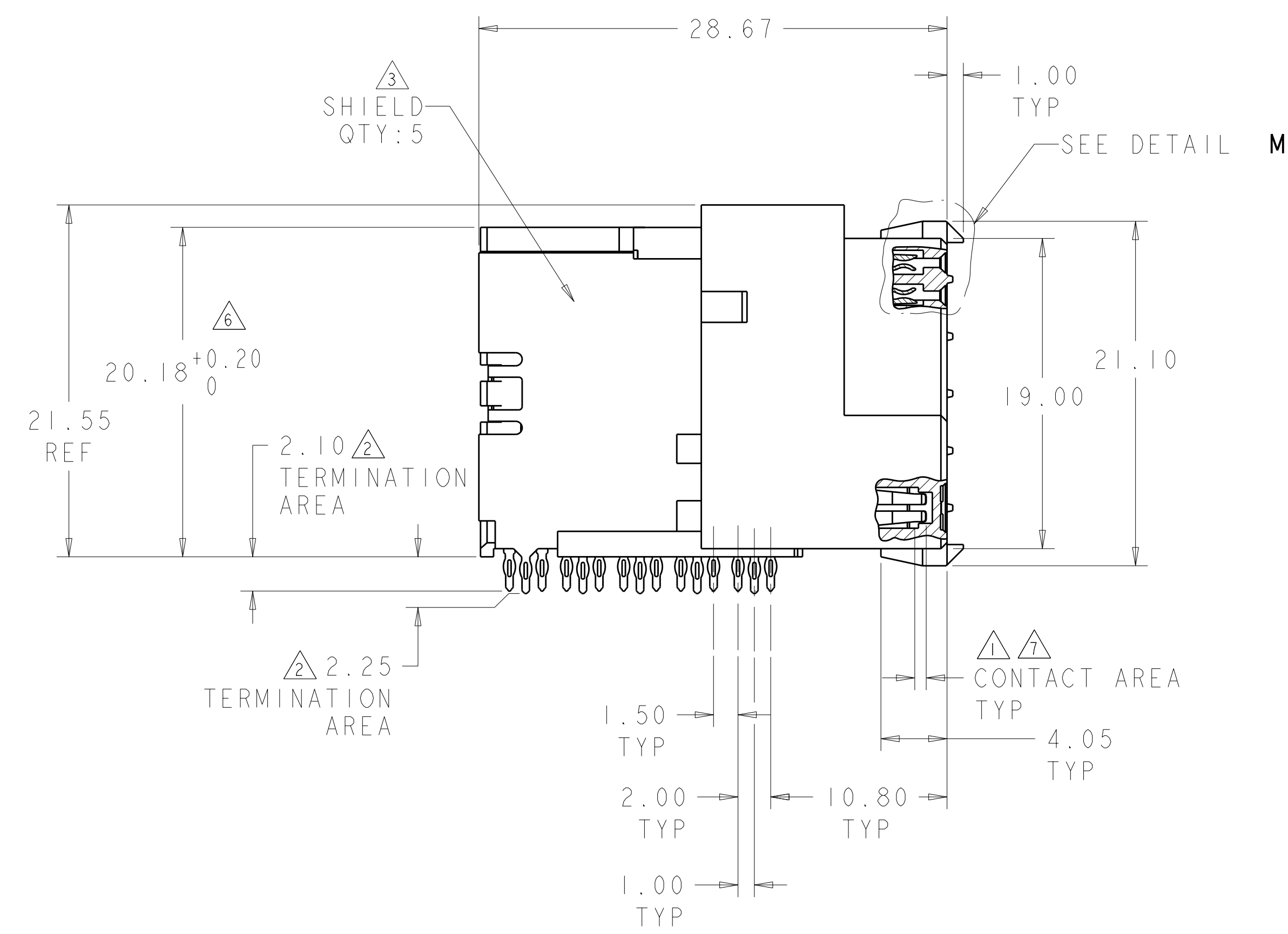


LOC	DIST	REV	DATE	BY	APPD
AD	00	A	13JUL2011	HMR	MH



- △ CONTACT MATING AREA MEETS THE PERFORMANCE REQUIREMENTS OF TE CONNECTIVITY PRODUCT SPECIFICATION 108-1957; BASED ON TELCORDIA GR-1217-CORE, APPLICATIONS IN UNCONTROLLED ENVIRONMENTS.
- △ 0.76µm MIN TIN OVER 1.27µm MIN NICKEL
- △ MATERIAL: CONTACT - COPPER ALLOY
SHIELD - PHOSPHOR BRONZE
HOUSING - LCP, UL94V-0
CHICKLET - GLASS FILLED POLYESTER
- △ REFERENCE APPLICATION SPEC 114-13020 FOR RECOMMENDED PLATED THRU HOLE DIAMETER AND PLATING THICKNESS.
- △ DATUM AND BASIC DIMENSION ESTABLISHED BY CUSTOMER.
- △ SEATING HEIGHT TO BOARD SURFACE.
- △ CONTACT AREA LUBRICATED WITH BELLCORE APPROVED LUBRICANT. TECHNICAL REFERENCE: GR-1217-CORE, ISSUE 1, NOVEMBER 1995.
- △ DATE CODE
- △ PART NUMBER



RECOMMENDED PRINTED CIRCUIT BOARD LAYOUT
COMPONENT SIDE OF PRINTED CIRCUIT BOARD

5120793-1
PART NUMBER

THIS DRAWING IS A CONTROLLED DOCUMENT.		DWN: B. CARBO	08DEC04	 TE Connectivity
DIMENSIONS: mm		CHK: R. PATTERSON	08DEC04	
TOLERANCES UNLESS OTHERWISE SPECIFIED:		APVD: R. PATTERSON	08DEC04	NAME: RECEPTACLE ASSEMBLY, 50 POSITION ESD/POWER GROUND PIN, LEFT HAND, 10 ROW, DUAL BEAM, Z-PACK HS3
0 PLC ± 1 PLC ±0.2 3 PLC ±0.13 5 PLC ±0.05 4 PLC ± ANGLES ±		PRODUCT SPEC: 108-1957	APPLICATION SPEC: 114-13020	
MATERIAL: SOLDER TAIL CONTACT		FINISH: SOLDER TAIL CONTACT	WEIGHT: -	SIZE: CAGE CODE DRAWING NO: A100779C-5120793 RESTRICTED TO: - SCALE: 4:1 SHEET 1 OF 1 REV A