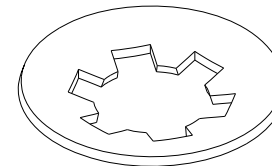
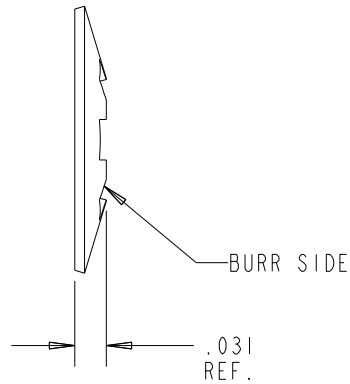
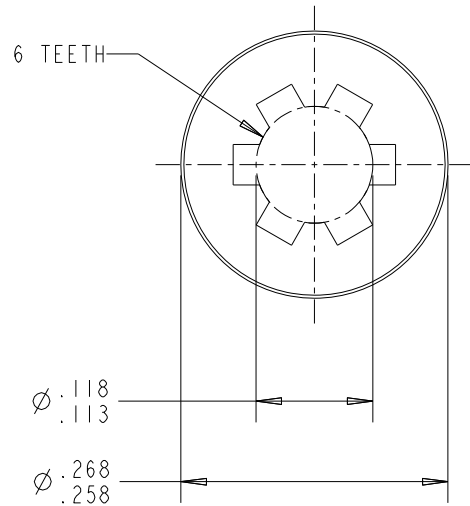


NOTES:

1. I. D. DESIGN FOR .125±.002 DIA. SHAFT.
2. MATERIAL SAE 1050 STEEL, HARDEN AND TEMPER THICKNESS 0.010".
3. FINISHED: PARKERIZED.  
PART MUST BE RoHS COMPLIANT.



**INFORMATION ONLY**

ORIGINAL ON PROYE

DWN: LM
APVD: DS
DATE: 20-Feb-62
THIRD ANGLE PROJECTION

THE CONFIDENTIAL AND PROPRIETARY INFORMATION CONTAINED IN THIS DOCUMENT IS OWNED BY CHERRY ELECTRICAL PRODUCTS, A DIVISION OF THE CHERRY CORPORATION WHO MUST GIVE WRITTEN PERMISSION BEFORE THE DOCUMENT OR INFORMATION CAN BE COPIED, DISCLOSED OR USED IN ANY WAY.

*TOLERANCE UNLESS SPECIFIED*

UNITS	X.XX	X.XXX	ANGLES
INCH	± 0.01	± 0.005	± 1.0°

PROJECT / ESR

**CHERRY** ELECTRICAL PRODUCTS

11200 88TH AVENUE  
PLEASANT PRAIRIE, WI 53158

NAME / DESCRIPTION

SPRINGRIP RETAINER

A	ITEM NO.	00120018
SCALE:	6:1	SH 1 OF 1

C	15313	31-Oct-06	CM	RF
REV	ECO NO.	DATE	PREP	APVD