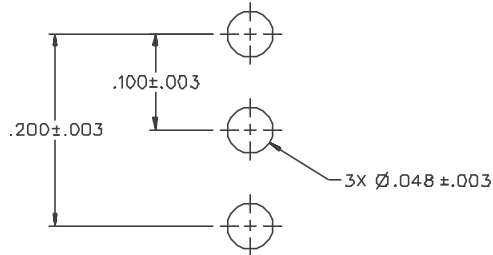
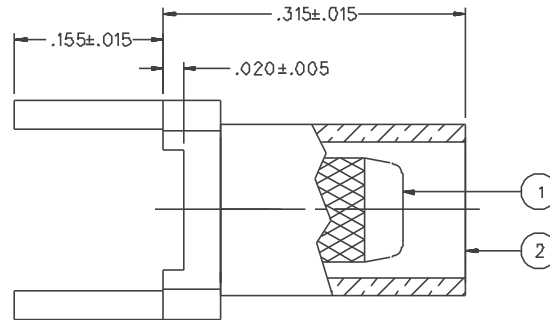
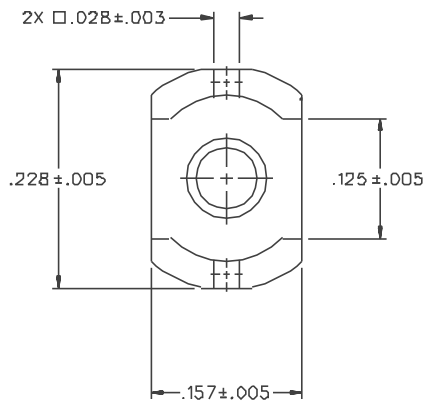
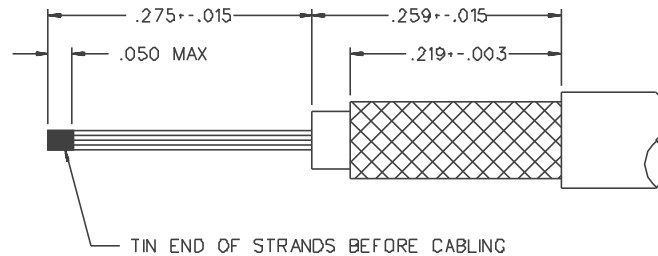


PART NUMBER	ITEM ① BODY	ITEM ② CRIMP SLEEVE
142-0004-211	BRASS GOLD PL .00001 MIN OVER NICKEL PL .00005 MIN OVER COPPER PL .00005 MIN	COPPER GOLD PL .00001 MIN OVER NICKEL PL .00005 MIN OVER COPPER PL .00005 MIN
142-0004-216	BRASS NICKEL PL .0001 MIN OVER COPPER PL .00005 MIN	COPPER NICKEL PL .0001 MIN OVER COPPER PL .00005 MIN

DRAWING NO. C - 142-0004-211/220	
0	REVISIONS
ENGINEERING RELEASE	
I	9-9-94 R H P R S ECN 42780



MOUNTING HOLE LAYOUT



CABLE STRIP DIMENSIONS

CUSTOMER DRAWING


THIS DRAWING TO BE INTERPRETED
PER ANSI Y 14.5M - 1982

"μSTATION"

COMPANY CONFIDENTIAL

NOTES:

- SPECIFICATIONS:
 CABLE ACCEPTABILITY: RG 316/U DOUBLE SHIELDED, RG 188/U DOUBLE SHIELDED
 RG 179/U DOUBLE SHIELDED, RG 187/U DOUBLE SHIELDED
 CABLE HEX CRIMP SIZE: .151
 CABLE RETENTION: 20 LBS
 IMPEDANCE: 50 OHMS

TOLERANCE UNLESS OTHERWISE SPECIFIED		DRAWN BY SWC	DATE 7-25-94	 Cinch Connectivity Solutions 299 Johnson Ave. Ste. 100 Waco, TX 76799 1-800-247-8256
DECIMALS .XX	mm	CHECKED BY	DATE	
.XXX		APPROVED BY SWC	DATE 9-9-94	TITLE CABLE TERMINATION, STRAIGHT PC MOUNT, RG 316 DOUBLE SHIELD
MATL		APPROVED BY TAK/RJB	DATE 9-19-94	CODE NO.
FINISH		RELEASE DATE		DRAWING NO. C - 142-0004-211/220
				SCALE 10:1 U/M INCH SHEET 2 OF 2