

SPECIFICATIONS

(Rohs Compliant)



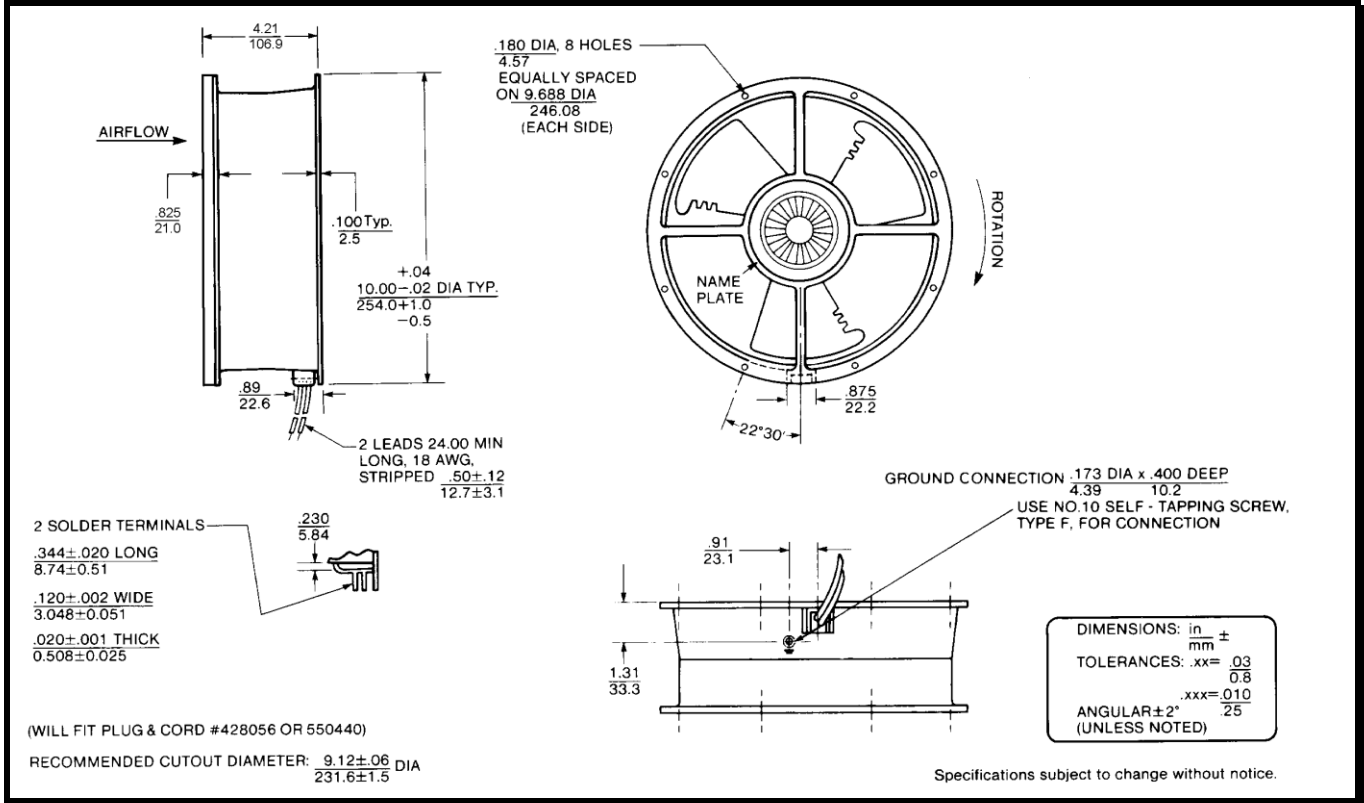
Model Number: CLE2L5

Part Number: 19039305A

SPEC Number: 26013408A02

Feb.17.2013

Mechanical Drawing:



Motor:

Nominal Voltage	= 115 VAC
Frequency	= 60 Hz
Nominal Running Current	= 1.30 amps
Max. Locked Rotor Current	= 1.70 amps
Running Power	= 115 watts
Average Speed	= 2400 RPM
Bearings	= Ball
Air Flow	= 825 CFM
Acoustic	= 60.0 dBA

Construction:

Venturi: Aluminum, Black.
 Propeller: Plastic, Black, UL 94V-0

Life Expectancy:

This fan is designed for continuous duty life of 54,000 hours at 40°C.

Additional Features:

- Permanent Split Capacitor Motor
- Automatic Reset Thermal Protector
- Automatic Restart Capability
- Operating Temperature: -10°C to 70°C
- Storage Temperature: -40°C to 85°C

Termination:

24" Lead wires, 18 AWG, UL 1015

Agency Approvals:

UL, CE