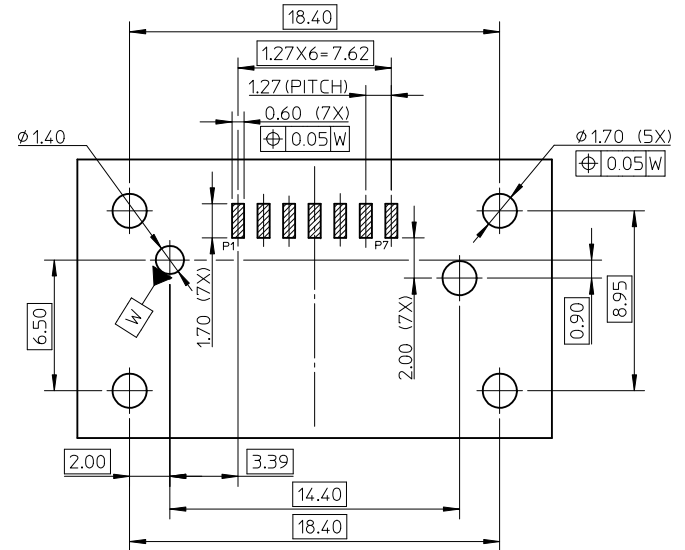
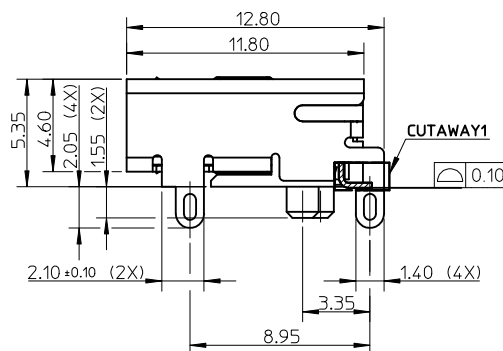
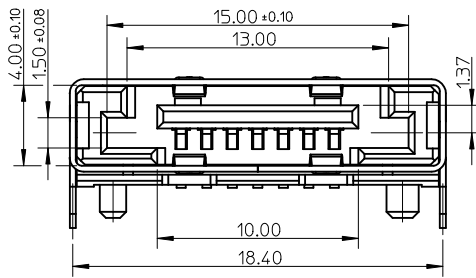


PIN ASSIGNMENT

I/O SATA	
NAME	TYPE
P1	GND
P2	A+
P3	A-
P4	GND
P5	B-
P6	B+
P7	GND



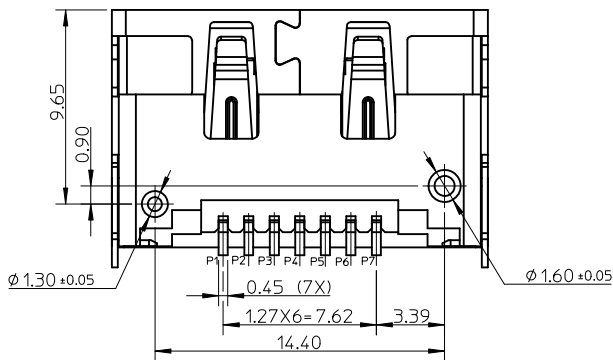
RECOMMEND PCB LAYOUT(CONNECTOR SIDE)  
THICKNESS=1.30 (ALL TOLERANCE: +/-0.05)



NOTES:

- MATERIAL:  
HOUSING: PA6T. COLOR: BLACK, UL94V-0.  
SHIELD CASE: COPPER ALLOY.  
TERMIANL: COPPER ALLOY.
- PLATING:  
SHIELD CASE: 2.54~5.08 MICROMETRE SOLDERABLE NICKEL PLATING OVER ALL.  
TERMINAL: CONTACT AREA GOLD PLATING, DETAIL SEE TABLE,  
SOLDER TAIL 1.27~2.54 MICROMETRE TIN ALLOY PLATING OVER 1.27 MICROMETRE MIN. NICKEL PLATING OVER ALL.
- PRODUCT SPECIFICATION: PS-47082-001.
- PACKAGE SPECIFICATION: PK-47379-001.
- PRODUCT COMPLIANT TO RoHS DIRECTIVE 2002/95/EC AND ELV DIRECTIVE 2000/53/EC.

47391-3002	0.38 MICROMETRE MIN. GOLD
47391-3001	0.76 MICROMETRE MIN. GOLD
47391-3000	GOLD FLASH
PART NO.	CONTACT AREA PLATING



<p><b>NEW RELEASE</b> EC NO: SH2010-0281 DRWN:XQZHANG CHKD:GLLI APPR:XJSONG</p>	<p>2010/01/15 2010/01/15 2010/02/01</p>	<p>QUALITY SYMBOLS F<sub>A</sub>=0 F<sub>C</sub>=0 F<sub>P</sub>=0</p>	<p>GENERAL TOLERANCES (UNLESS SPECIFIED)</p> <table border="1"> <thead> <tr> <th></th> <th>mm</th> <th>INCH</th> </tr> </thead> <tbody> <tr> <td>4 PLACES</td> <td>± ---</td> <td>± ---</td> </tr> <tr> <td>3 PLACES</td> <td>± ---</td> <td>± ---</td> </tr> <tr> <td>2 PLACES</td> <td>± 0.20</td> <td>± ---</td> </tr> <tr> <td>1 PLACE</td> <td>± 0.25</td> <td>± ---</td> </tr> </tbody> </table> <p>ANGULAR ± 3 °</p>		mm	INCH	4 PLACES	± ---	± ---	3 PLACES	± ---	± ---	2 PLACES	± 0.20	± ---	1 PLACE	± 0.25	± ---	<p>DIMENSION STYLE <b>MM ONLY</b></p> <table border="1"> <thead> <tr> <th>DRAWN BY</th> <th>DATE</th> </tr> </thead> <tbody> <tr> <td>XQZHANG</td> <td>2009/09/23</td> </tr> <tr> <th>CHECKED BY</th> <th>DATE</th> </tr> <tr> <td>XJSONG</td> <td>2009/09/23</td> </tr> <tr> <th>APPROVED BY</th> <th>DATE</th> </tr> <tr> <td>XJSONG</td> <td>2009/09/23</td> </tr> </tbody> </table>	DRAWN BY	DATE	XQZHANG	2009/09/23	CHECKED BY	DATE	XJSONG	2009/09/23	APPROVED BY	DATE	XJSONG	2009/09/23	<p>SCALE <b>4:1</b></p> <p>DESIGN UNITS <b>METRIC</b></p> <p>THIRD ANGLE PROJECTION</p>	<p>EXTERNAL SATA PLUG SMT WITH SHELL BOTTOM MOUNT TYPE</p>
		mm	INCH																														
	4 PLACES	± ---	± ---																														
	3 PLACES	± ---	± ---																														
2 PLACES	± 0.20	± ---																															
1 PLACE	± 0.25	± ---																															
DRAWN BY	DATE																																
XQZHANG	2009/09/23																																
CHECKED BY	DATE																																
XJSONG	2009/09/23																																
APPROVED BY	DATE																																
XJSONG	2009/09/23																																
<p>DRAFT WHERE APPLICABLE MUST REMAIN WITHIN DIMENSIONS</p>		<p>SEE TABLE</p>		<p>MOLEX INCORPORATED</p>																													
<p>MATERIAL NO.</p>		<p>DOCUMENT NO.</p>		<p>SHEET NO.</p>																													
<p>SD-47391-300</p>		<p>1 OF 1</p>		<p>THIS DRAWING CONTAINS INFORMATION THAT IS PROPRIETARY TO MOLEX INCORPORATED AND SHOULD NOT BE USED WITHOUT WRITTEN PERMISSION</p>																													