



## RTM Plug-in RTMA2 Part number 88895206



- Miniature plug-in timer (21 x 27 mm)
- Function A : Delay on energisation
- Multi-range 0.1 s to 10 h
- Excellent noise resistance
- Relay output, 2 or 4 changeover contacts

### Part numbers

|            | Type  | Functions | Relay outputs      | Nominal rating | Supply voltage | Absorbed power (W) |
|------------|-------|-----------|--------------------|----------------|----------------|--------------------|
| 88 895 201 | RTMA2 | A         | 2 timed changeover | 5 A AC         | 12 V DC        | 1,5                |
| 88 895 202 | RTMA2 | A         | 2 timed changeover | 5 A AC         | 24 V DC        | 1,2                |
| 88 895 203 | RTMA2 | A         | 2 timed changeover | 5 A AC         | 24 V AC        | 1,7                |
| 88 895 206 | RTMA2 | A         | 2 timed changeover | 5 A AC         | 110 V AC       | 2,6                |
| 88 895 207 | RTMA2 | A         | 2 timed changeover | 5 A AC         | 230 V AC       | 3                  |
| 88 896 201 | RTMA4 | A         | 4 timed changeover | 5 A AC         | 12 V DC        | 1,5                |
| 88 896 202 | RTMA4 | A         | 4 timed changeover | 5 A AC         | 24 V DC        | 1,2                |
| 88 896 203 | RTMA4 | A         | 4 timed changeover | 5 A AC         | 24 V AC        | 1,7                |
| 88 896 206 | RTMA4 | A         | 4 timed changeover | 5 A AC         | 110 V AC       | 2,6                |
| 88 896 207 | RTMA4 | A         | 4 timed changeover | 5 A AC         | 230 V AC       | 3                  |

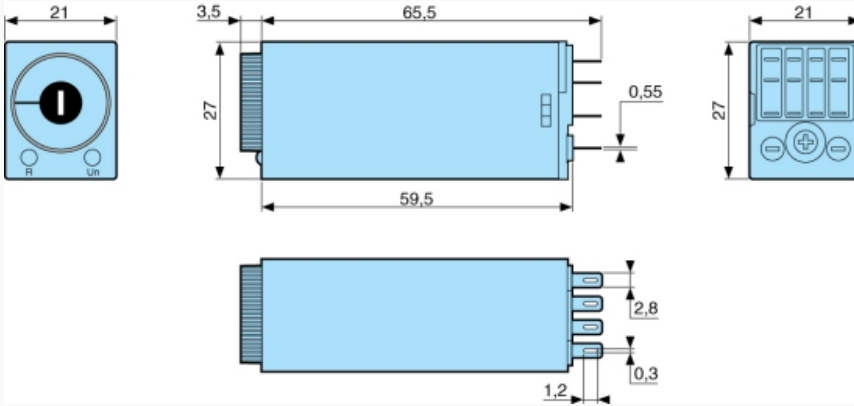
### Specifications

|  |   |
|--|---|
| Timing ranges  |   |
| Display precision  | -0 % / + 10 % at 25 °C of full scale, according to CEI/EN61812  |
| Repetition accuracy (with constant parameters)                                     | ± 0,5 %   |
| Drift Temperature  | ± 0,05 %/ °C  |
| Drift Voltage  | ± 0,2 %/V   |
| Maximum reset time by de-energisation during timed delay                           | 50 ms   |
| Maximum reset time by de-energisation after timing                                 | 250 ms  |
| Operating range  | ±15 % of supply (AC)<br>±10 % of supply (DC)  |
| Frequency (Hz)   | 50/60 Hz ± 1 Hz   |
| Immunity from micro power cuts : typical   | < 5 ms  |
| Ripple   | ± 10 % (DC)   |
| Operator factor  | 100 %   |
| Maximum power rating (resistive)   |   |
| Minimum current  | 100 mA  |
| Maximum breaking voltage   | 250 V AC  |
| Type of contacts   | AgNi  |
| Max. permitted number of operations at 1 max 250 V AC resistive per hour           | 600   |
| Electrical life at 1 max. 250 V AC resistive (number of operations)                | 10 <sup>5</sup>   |
| Mechanical life (operations)   | 10 <sup>7</sup>   |
| Breakdown voltage conforming to IEC/EN 61812-1 and 60601-1                         | 2 kV at 1 mA / 1 min / 50 Hz  |
| Display of output state by LED   |   |
| Conformity to standards  | CEI/EN61812-1, CEI/EN60601-1, EN50081-2, EN61000-6-2, CEI/EN60601-1-2, Directives BT (73/23/CEE + 93/68/CEE (CE marking) ) + CEM (89/336/CEE) |
| Approvals  | UL - cUL  |
| Temperature limits use (°C)  | -20 →+60  |
| Temperature limits stored (°C)   | -40 →+70  |
| Insulation coordination (IEC/EN 60664-1)   | 4 kV / surge category 3   |
| Degree of protection IEC 60529   | IP 50 (casing)  |
| Vibration resistance acc. to IEC/EN 60068-2-6                                      | f = 10 →55 Hz<br>A = 0,35 mm  |
| Relative humidity (no condensation)  | 95 % max (CEI 60068-2-3)  |
| Electromagnetic compatibility  | Class 2 according to EN61812-1/A11  |
| Immunity to electrostatic discharges acc. IEC/EN 61000-4-2                         | Level III (Air 8 K : contact 6kV)   |
| Immunity to radiated, radio-frequency, electromagnetic field acc. IEC/EN 61000-4-3 | Level III (10 V/m : 26 M Hz to 1 G Hz / 900 M Hz)   |
| Immunity to rapid transient bursts acc. to IEC/EN 61000-4-4                        | Level III (Direct 2 kV : coupled 1kV)   |
| Immunity to radio frequency in common mode acc. to IEC/EN 61000-4-6                | Level III (10 V (rms) : 0,15 M Hz to 80 Mhz)  |

|  |  |
|--|--|
| Immunity to shock waves according to IEC/EN 61000-4-5                            | AC : level III (common mode 2 kV, differential mode : 1 kV)<br>DC : MC/MD : 0,5 kV |
| Immunity to voltage dips and breaks acc. to IEC/EN 61000-4-11                    | 30 % / 10 ms<br>60 % / 100 ms / 1 s<br>> 95 % 5 s                                  |
| Mains-borne and radiated emissions acc. to EN 55022 (CISPR22), EN55011 (CISPR11) | Class B  |
| Housing material   | Self-extinguishing   |
| Weight (g)   | 55   |

#### Dimensions (mm)

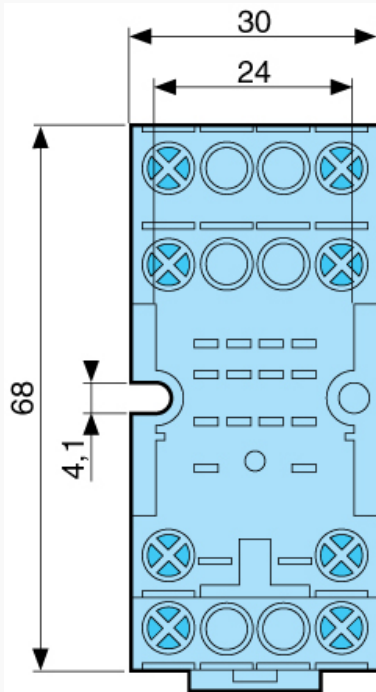
##### RTMA2 - RTMA4



#### Dimensions (mm)

##### Base for DIN rail mounting

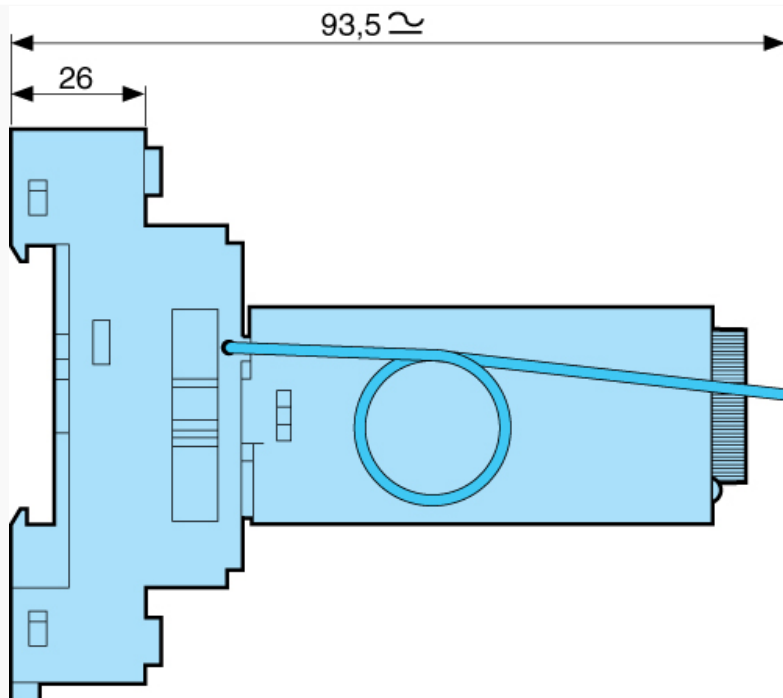
##### RTMA2 - 26 532 707



#### Dimensions (mm)

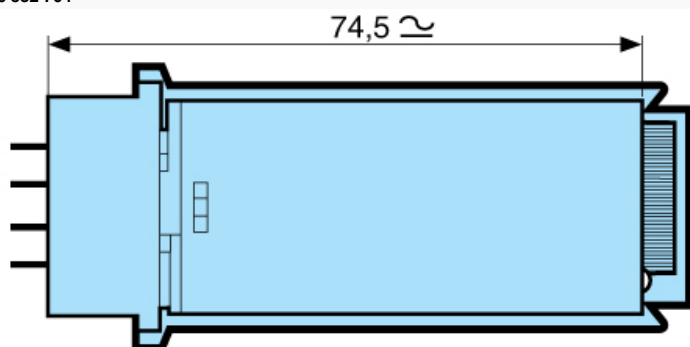
##### Spring clip for DIN rail base

##### 26 532 702



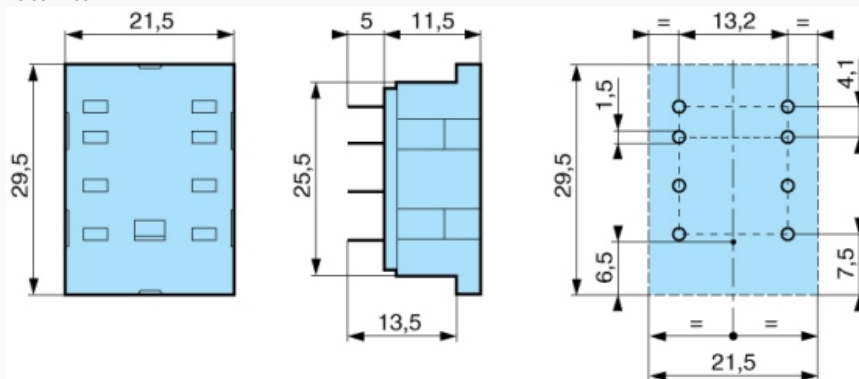
**Dimensions (mm)**

Spring clip for PCB base  
26 532 704



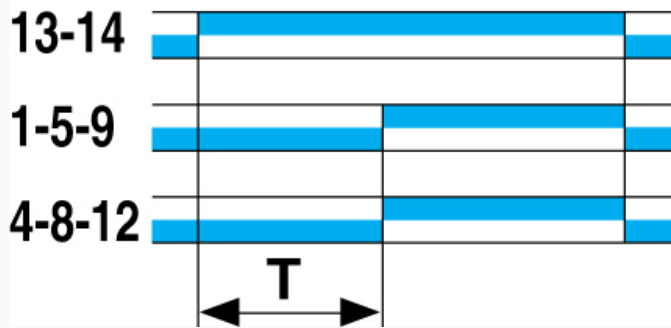
**Dimensions (mm)**

PCB base RTMA2  
26 532 709



**Curves**

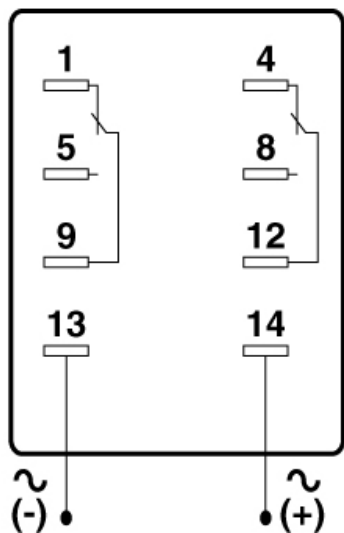
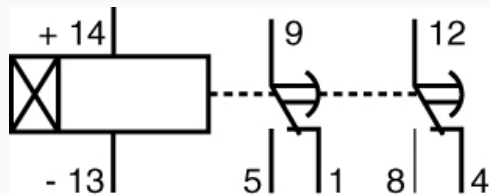
RTMA2



|                              |
|------------------------------|
| <b>Function A</b>            |
| *** TRADUCTION MANQUANTE *** |

**Connections**

RTMA 2



| N° | Legend  |
|----|---|
|    | Supply  |
|    | Timed or instantaneous (switch set to "INST") relay outputs |