

## SUMMARY

### # Wires

Low	2
High	0
Coax	0
Triax	0
Quad	0
Fiber	0
Fluidic	0



### Download

[Request a quote](#)

[Catalog](#)

Series	1E
Termination type	Male solder
IP rating	68
Cable Ø	2.60 - 3.00 mm
Matching parts	ERA.1E.302.CLL

## TECHNICAL DETAILS

### Mechanics

Shell Style/Model	FFA*: Straight plug, cable collet and nut for fitting a bend relief
Keying	Hermaphroditic keying ("half moon" insert), plug has male pin 1
Housing Material	Brass (chrome plated) shell and collet nut, nickel plated brass latch sleeve and mid pieces
Cable Fixing	C30: 2.6 - 3 mm
Variant	Z : Nut for fitting a bend relief

### Performance

Configuration	1E.302 : 2 Low Voltage
Insulator	L: PEEK
Rated Current	15 Amps

### Specifications

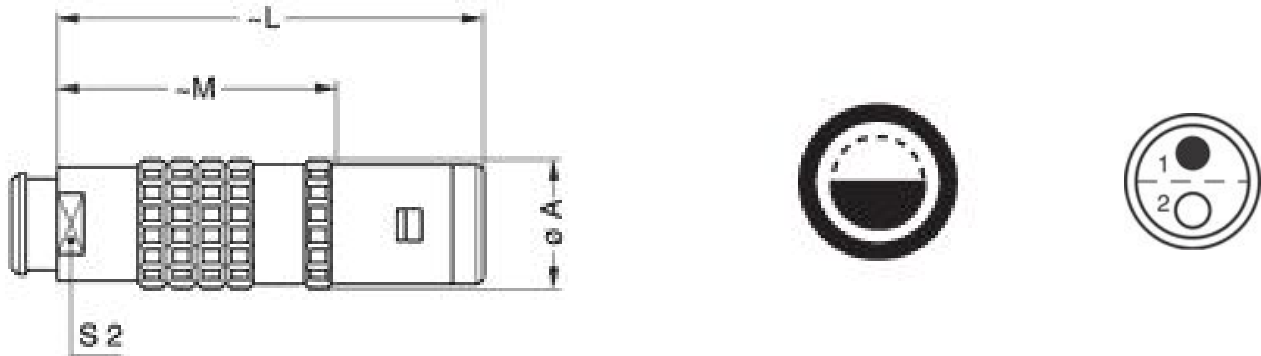
Contact Type:	Solder
Max. Matings:	5000
Contact Dia.:	1.3 mm (0.051in)
Bucket Dia.:	1 mm (0.039in)
Max. Solid Conductor:	0.5 mm <sup>2</sup> (AWG 20)
Max. Stranded Conductor:	0.5 mm <sup>2</sup> (AWG 20)
R (max):	3.6 mOhm
Vtest:	1200 V (AC), 1700 V (DC)

## Others

Endurance (Shell): 5000 mating cycles  
Temp (min / max): -55°C / +200°C  
Humidity (max): ≤95% [at 60 deg C / 140 F]  
Vibration: 15 g [10 Hz - 2000 Hz]  
Shock Resistance: 100 g [ 6 ms]  
Salt Spray Corrosion: >1000 hr  
Climatical Category: 50/175/21  
Shielding (min): 95 dB (10 MHz)  
Shielding (min): 80 dB (1 GHz)  
IP Rating: 68

## DRAWINGS

### Draws



### Dimensions





	A	L	M	S2
mm.	13	42	28	9
in.	0.51	1.65	1.10	0.35

## RECOMMENDED BY LEMO

### Tools

Torque wrench: MTZ.1E.070.090  
Caps: BFA.1E.100.NAS

### Cables

CMN.02.T28.030PGCE	PVC	GREY	
CMN.02.T28.030PNCE	PVC	Black	
002 050	PVC	Black	
002 260	PTFE	White	
CMU.02.040.030NB		Black	
CMU.02.050.028B	PTFE	White	