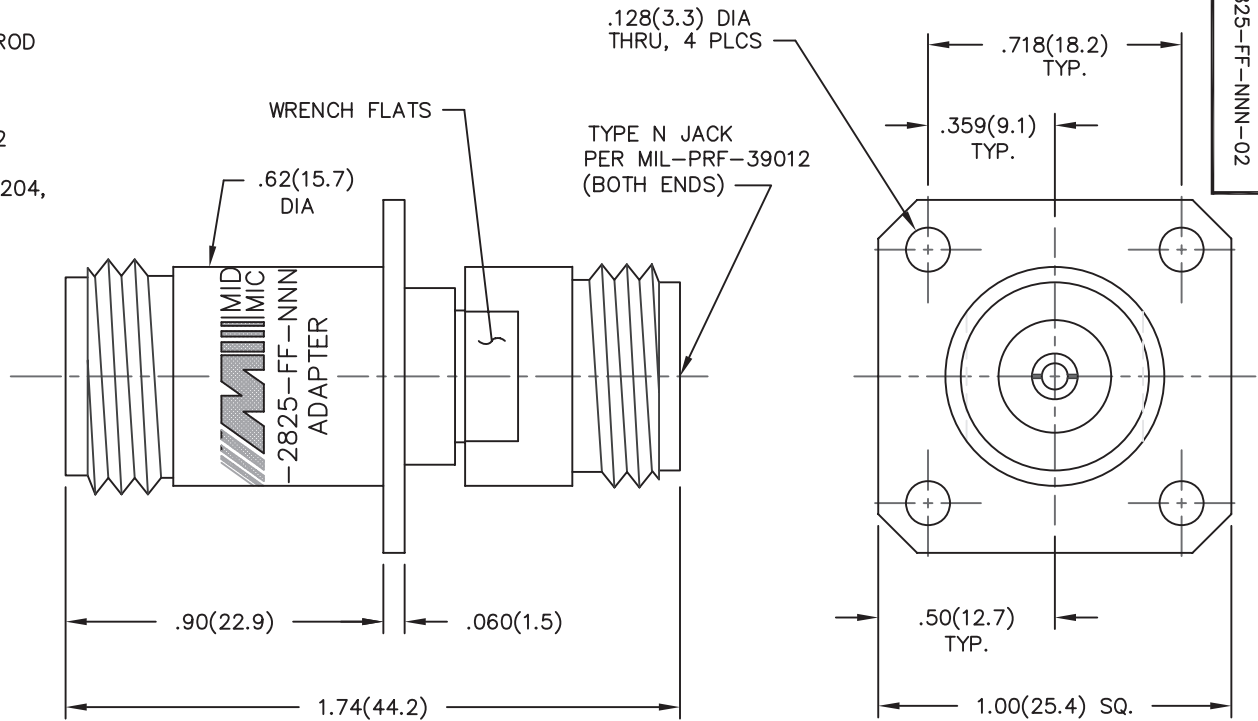


**NOTES:**

- 1.0 MATERIALS:
  - 1.1 HOUSING: STAINLESS STEEL PER ASTM-A582, TYPE 303.
  - 1.2 CENTER CONTACT: BERYLLIUM COPPER ROD ALLOY C172, PER ASTM-B196.
- 2.0 PLATING:
  - 2.1 HOUSING: PASSIVATED PER MIL-F-14072 AND QQ-P-35
  - 2.2 CENTER CONTACT: GOLD PER MIL-G-45204, TYPE II, CLASS 2.
- 3.0 ELECTRICAL SPECIFICATIONS:
  - 3.1 FREQUENCY RANGE: DC to 18.0 GHz
  - 3.2 VSWR (MAX):
    - DC to 4.0 GHz: 1.04:1
    - 4.0 to 8.0 GHz: 1.06:1
    - 8.0 to 18.0 GHz: 1.10:1
  - 3.3 IMPEDANCE: 50 OHMS
- 4.0 MARKING: MARK UNIT AS SHOWN (REF: INK-02669-27-44)
- 5.0 DIMENSIONS IN PARENTHESIS ARE IN MILLIMETERS.




MODEL NUMBER  
ADT-2825-FF-NNN-02

REV.	DESCRIPTION	DATE
-	RELEASED	9/22/93
-1	ADDED TITLEBLOCK	3/17/05

**NOTICE:** The information contained in this drawing is proprietary and must not be used without the permission of Cinch Connectivity Solutions.

**UNLESS OTHERWISE NOTED DIMENSIONS ARE IN INCHES AND TOLERANCES ARE:**

3 PLACE DECIMALS ±.005  
 2 PLACE DECIMALS ±.02  
 FRACTIONS ±1/64  
 PARALLELITY: T.I.R.  
 FLATNESS: T.I.R.  
 CONCENTRICITY: T.I.R.  
 ANGLES AND PERPENDICULARITY: ±1°

CAGE CODE <b>34078</b>		<b>MIDWEST MICROWAVE</b>	
		TITLE ADAPTER TYPE N JACK TO TYPE N JACK FLANGE MOUNT OUTLINE DRAWING	
		DRAWING NUMBER ADT-2825-FF-NNN-02-01	
DRAWN/DATE M.HOLLMAN 9/15/93	ENG./DATE A.OSGA 9/22/93	SCALE: 5=1	SHEET 1 of 1
CHECKED/DATE A.BEATTY 9/21/93	APPROVED/DATE	REV. -1	