

THIS DRAWING IS UNPUBLISHED.

RELEASED FOR PUBLICATION

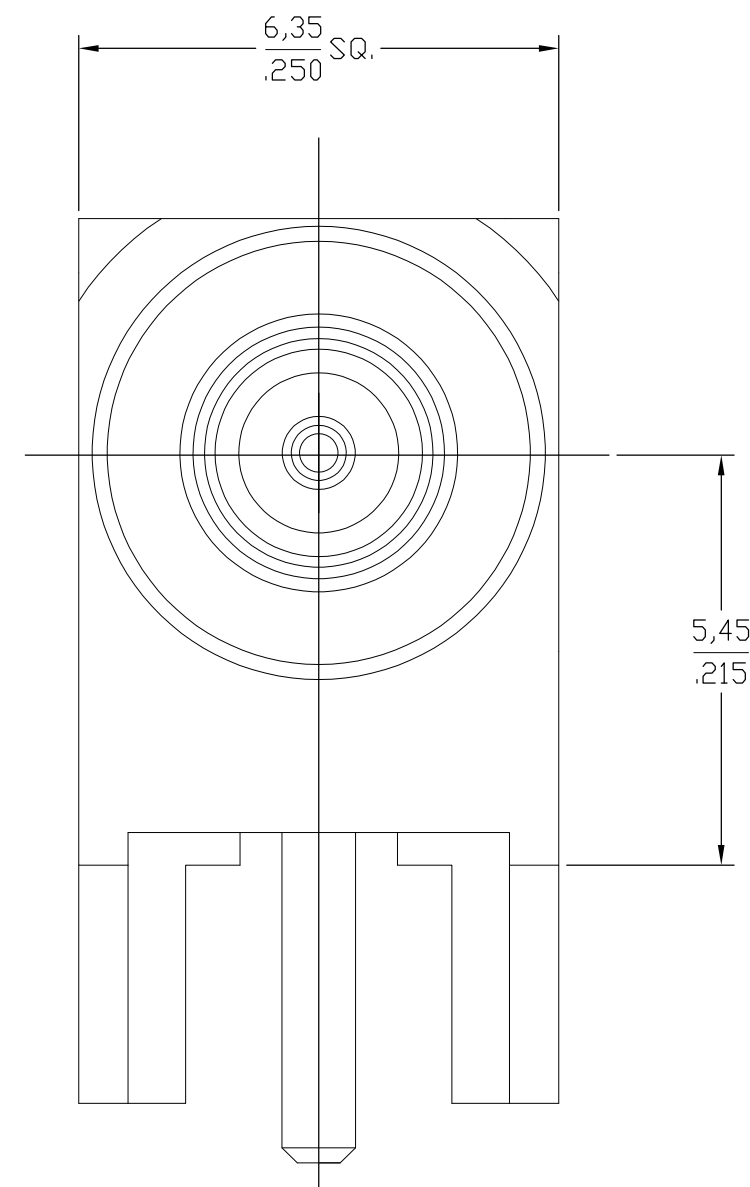
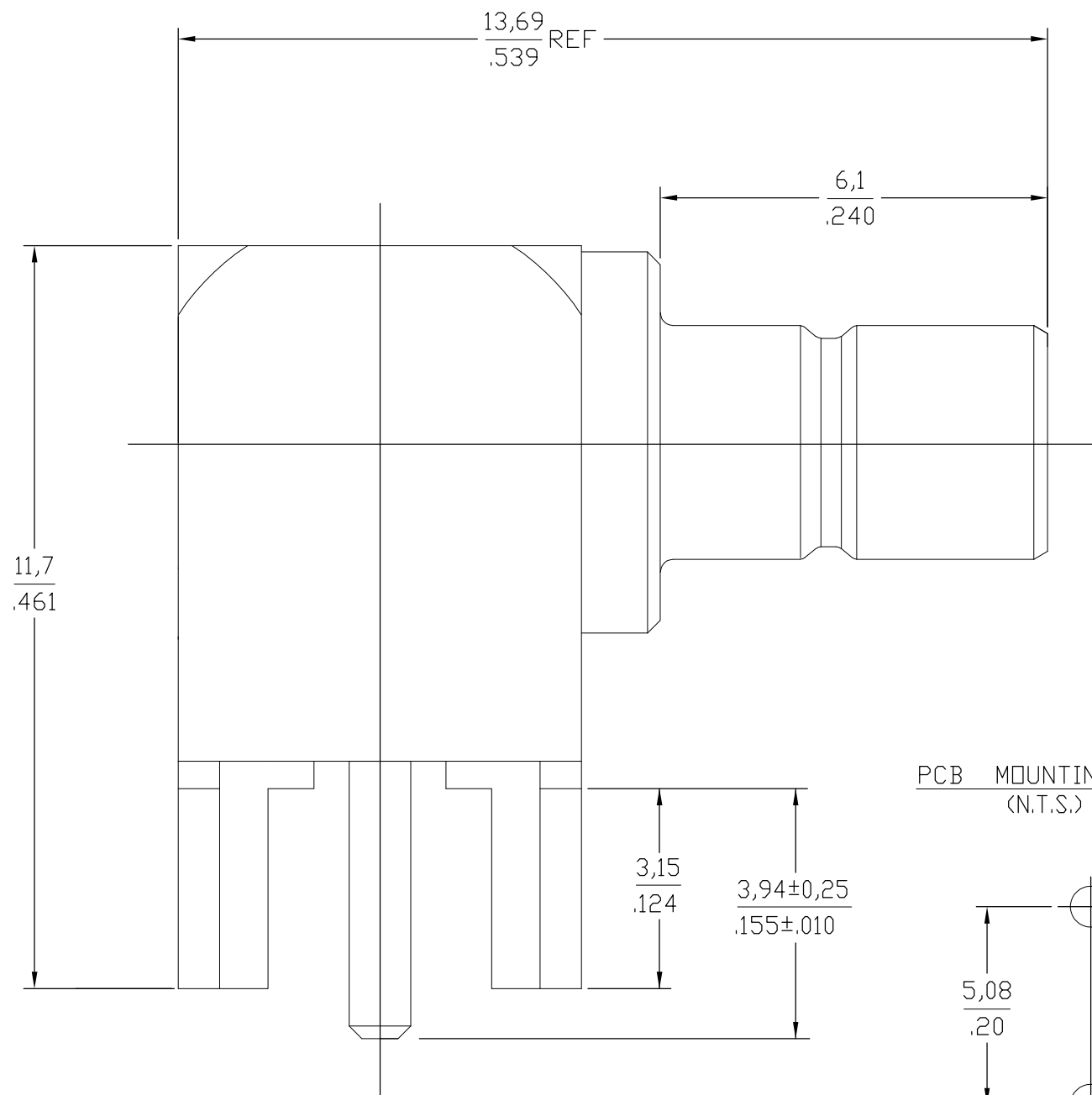
ALL RIGHTS RESERVED.

© COPYRIGHT - By -

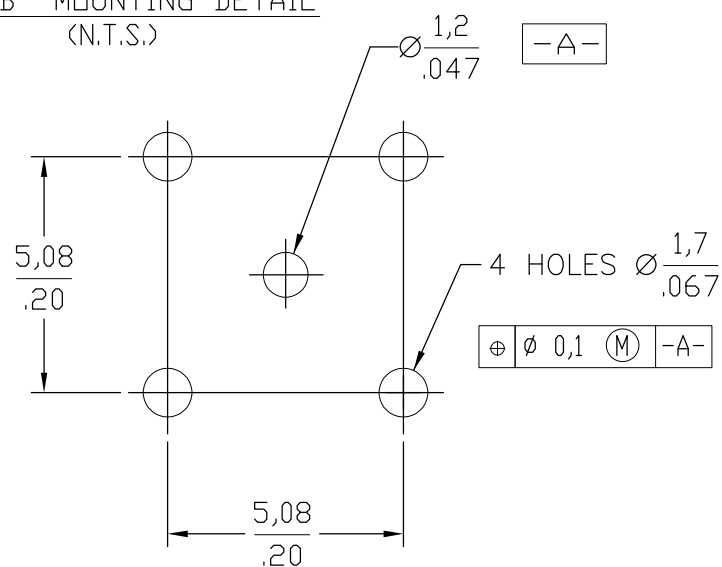
LOC HC DIST 00

REVISIONS

P	LTR	DESCRIPTION	DATE	DWN	APVD
A2		ECR-12-005726	27MAR12	RK	MY



PCB MOUNTING DETAIL (N.T.S.)



1310852-1
PART NO

COMPONENT	MATERIAL	FINISH
CAP JACK HOUSING	BRASS PER ASTM B 16, 1/2 HD	GOLD PLATE PER ASTM B 488
EXTRA HOUSING MALE CONTACTS		
DIELECTRICS	PTFE PER ASTM D 1710	N/A

THIS DRAWING IS A CONTROLLED DOCUMENT.

DIMENSIONS:	TOLERANCES UNLESS OTHERWISE SPECIFIED:
mm [INCHES]	
	0 PLC ± -
	1 PLC ± -
	2 PLC ± -
	3 PLC ± 0.127 [.005]
	4 PLC ± -
	ANGLES ± 1°

MATERIAL FINISH

DWN	CAM	8/22/85
CHK	CAM	8/22/85
APVD	CAM	8/22/85
PRODUCT SPEC		
APPLICATION SPEC		
WEIGHT		



'SMB' PCB RIGHT ANGLE SOCKET (B65N10G999X)

SIZE	CAGE CODE	DRAWING NO	RESTRICTED TO
A3	00779	C-1310852	

CUSTOMER DRAWING SCALE 10:1 SHEET 1 OF 1 REV A2