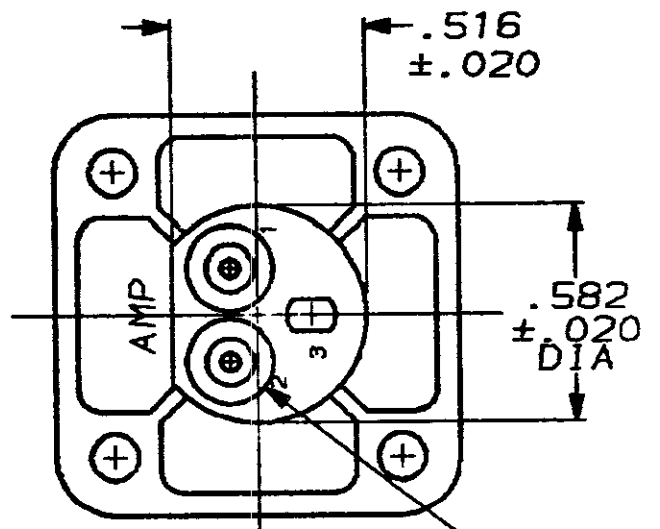
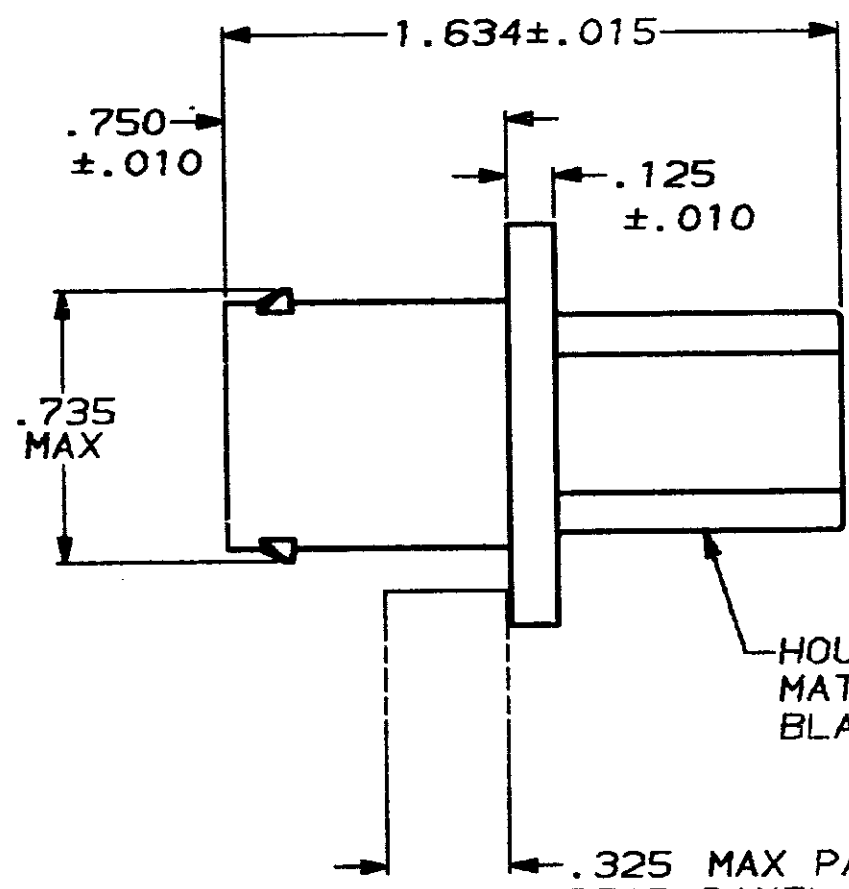
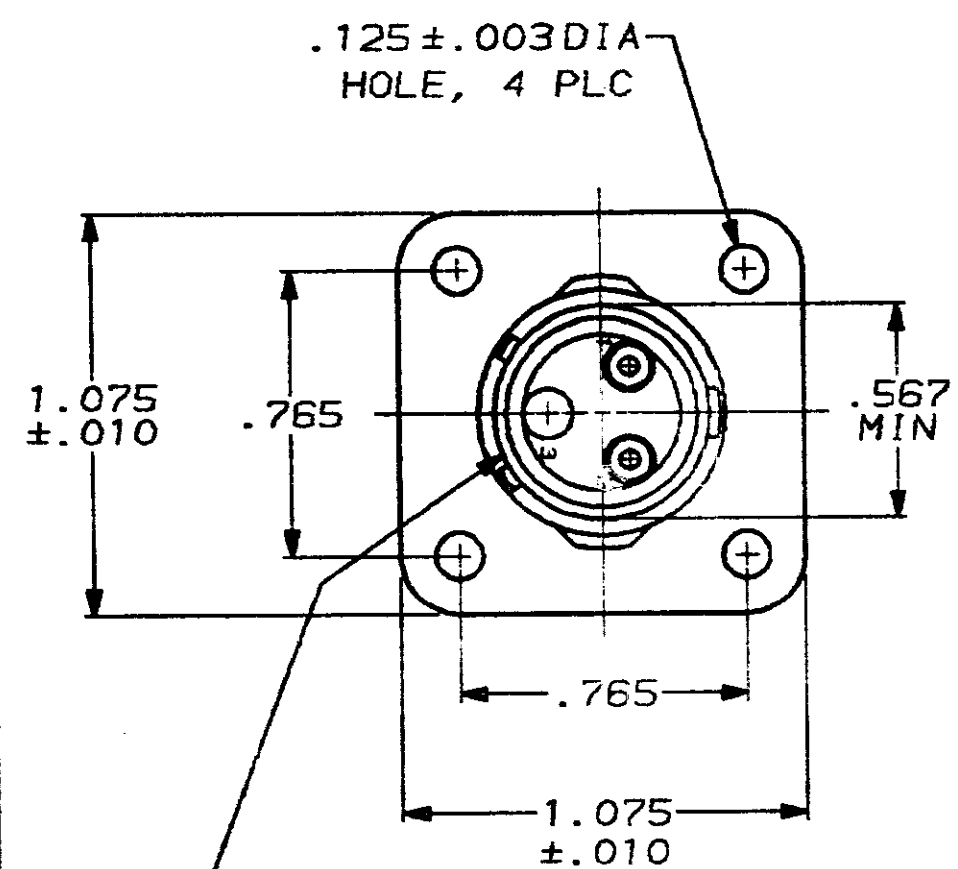


MOD	LOC	DIST	ZONE	LTR	DESCRIPTION	DATE	APPD
23	BD	39		F	REDRAWN AND REV PER ECN BD4183	8-21-90	KB

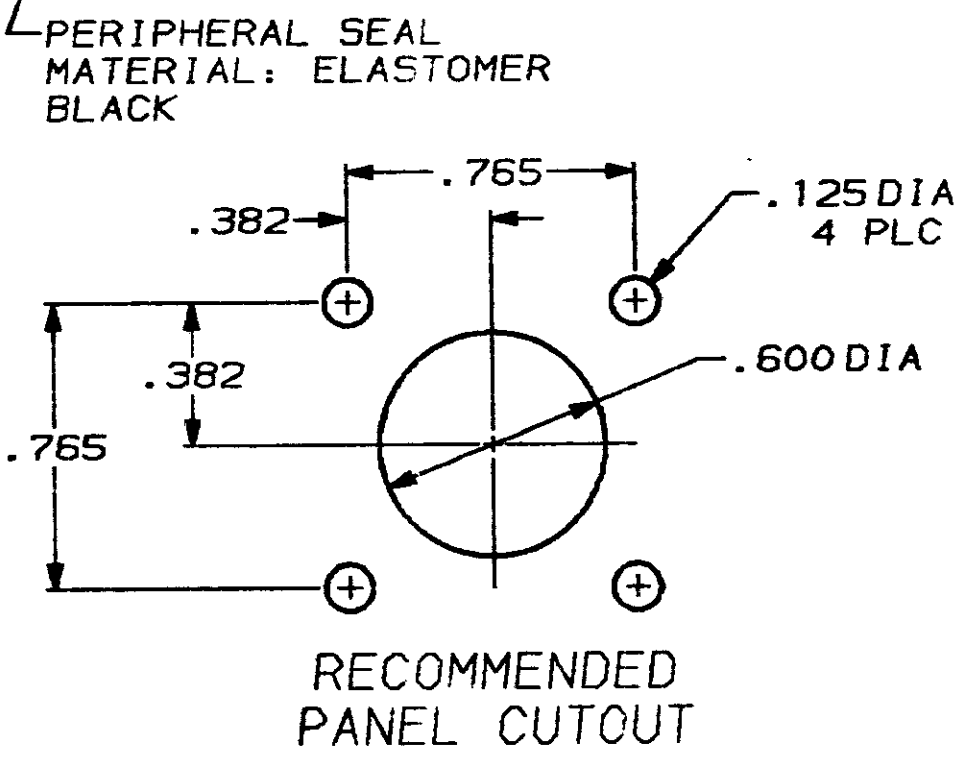


HOUSING MATERIAL: THERMOPLASTIC BLACK

DISCRETE WIRE SEALS (2) MATERIAL: ELASTOMER BLACK

1. WIRE INSULATION SEALING RANGE .070-.130 DIA.
2. THIN MEMBRANE PERMISSIBLE ON SMALL DIAMETER OF WIRE SEALS.
3. ROTATION OF CAVITY CIRCUIT KEY FROM PART TO PART IS PERMISSIBLE.

207853-1
PART NUMBER



DO NOT SCALE PRINT. UNLESS SPECIFIED DIMENSIONS IN INCHES TOLERANCES ON:
2 PLC DEC = -
3 PLC DEC = .005
ANGLES = -

MATERIAL: SEE CALLOUT

FINISH: -

WEIGHT: -

DR 8-21-90
J GALLUCCI BG

CHK J Mullin 1-9-91

APPD K Beaver 1-18-91

APPD J Fisher 1/23/91

PRODUCT SPEC

APPLICATION SPEC

WEIGHT

AMP AMP INCORPORATED
Harrisburg, Pa. 17105

NAME: ECONOSEAL, SQUARE FLANGE RECEPTACLE, SHELL SIZE 10, 2 POSITION, PIN CONTACTS

SIZE: **B** FSCH NO: 00779 DRAWING NO: 207853

SCALE: 2:1 SHEET: 1 OF 1