

12.8GHz Dielectric Resonator Oscillator

AB-PLLDRO-12.8GHz



RoHS
Compliant



55.0 x 55.0 x 22.0 mm

FEATURES:

- High Carrier Frequency –12.8GHz
- Wide operating temperature range
- Linear Tuning Range
- Low Power Design (300mA max)
- High Output Power (+12dBm min)
- Excellent VSWR characteristics
- Low Phase Noise
- Low Spurious and Harmonic content

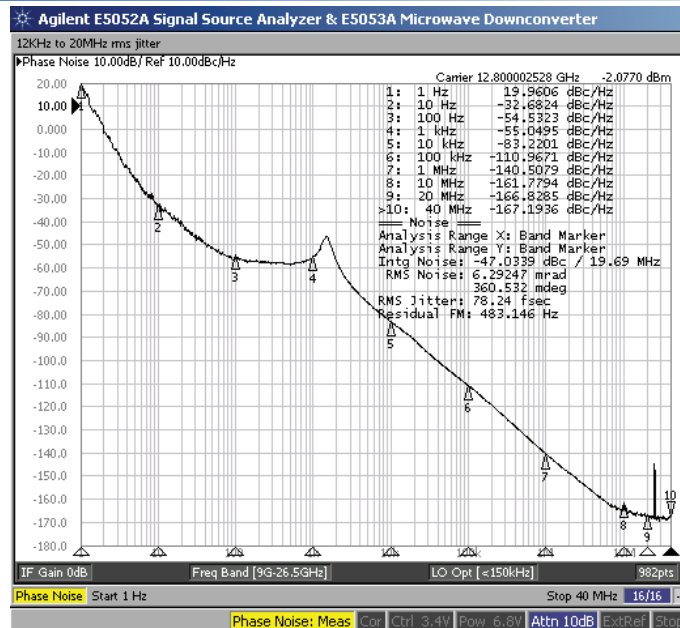
APPLICATIONS:

- Transmitters & Receivers
- Digital radios
- Satellite communications
- Cable TV links (CATV)
- Local Area Networks (LAN)
- Global Positioning Systems (GPS)
- Test Equipment
- LMDS
- Up/Down Converters
- Point to Point communication
- Military, Space, and Commercial

STANDARD SPECIFICATIONS:

Parameters	Minimum	Typical	Maximum	Units	Notes
Center Frequency		12.800		GHz	
Operating Temperature	-40		+70	°C	
Storage Temperature	-40		+70	°C	
Frequency Stability	-2.5		+2.5	ppm	Under lock
Internal Reference Frequency		10		MHz	
Supply Voltage (Vdd)		+12		V	
Current Consumption			300	mA	
Supply Current (I _{DD})		< 14.0	20.00	mA	
Output Power	12			dBm	
Alarm (DET)		L: TTL			
VSWR		1.5:1			50Ω impedance
Phase Noise			-85 -110	dBc/Hz	@10kHz @100kHz
Harmonics			-20	dBc	
Spurious			-60	dBc	

PHASE NOISE:



ABRACON IS
ISO9001:2008
CERTIFIED



Visit www.abracon.com for Terms & Conditions of Sale **Revised: 08.16.12**
30332 Esperanza, Rancho Santa Margarita, California 92688
tel 949-546-8000 | fax 949-546-8001 | www.abracon.com

12.8GHz Dielectric Resonator Oscillator

AB-PLLDRO-12.8GHz

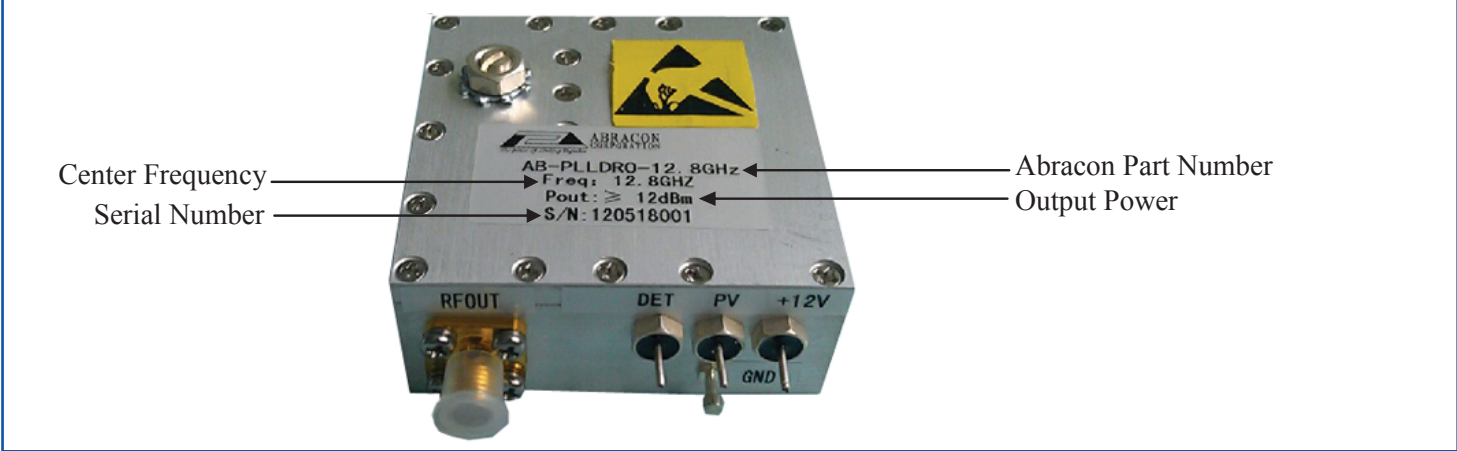


RoHS
Compliant

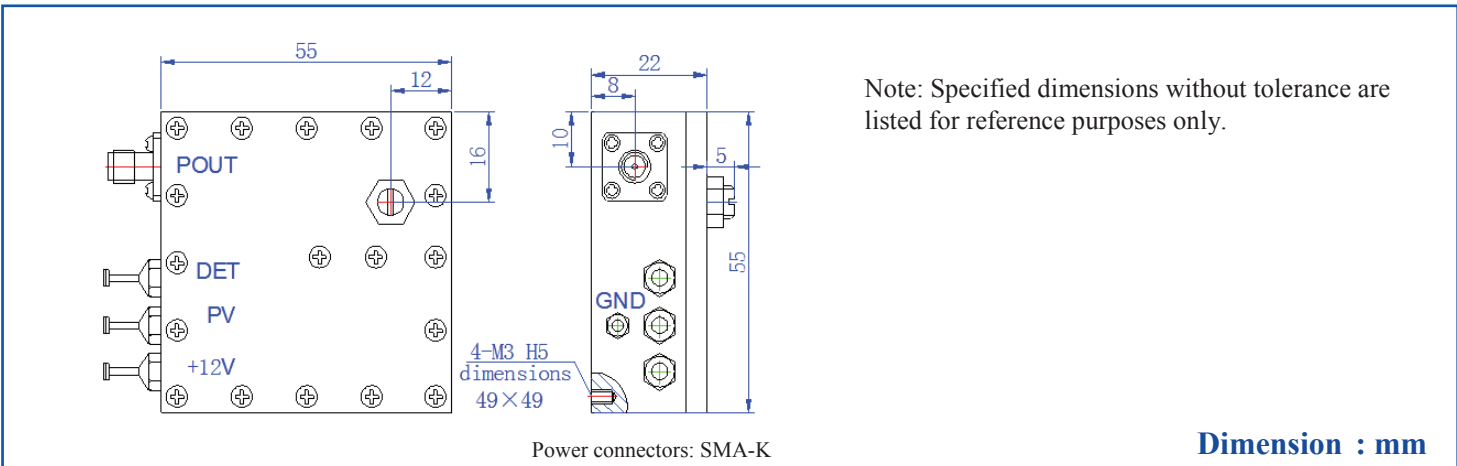


55.0 x 55.0 x 22.0 mm

MARKING:



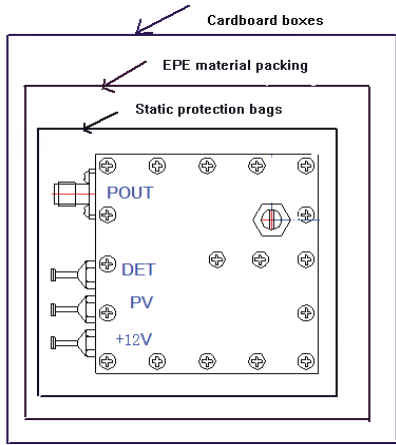
OUTLINE DRAWING:



PACKAGING:

Packaging: 1pc/box

Dimension of the cardboard box: 17.5cm*13.5cm*7cm



ATTENTION: Abracon Corporation's products are COTS – Commercial-Off-The-Shelf products; suitable for Commercial, Industrial and, where designated, Automotive Applications. Abracon's products are not specifically designed for Military, Aviation, Aerospace, Life-dependant Medical applications or any application requiring high reliability where component failure could result in loss of life and/or property. For applications requiring high reliability and/or presenting an extreme operating environment, written consent and authorization from Abracon Corporation is required. Please contact Abracon Corporation for more information.

ABRACON IS
ISO9001:2008
CERTIFIED



Visit www.abracon.com for Terms & Conditions of Sale **Revised: 08.16.12**
30332 Esperanza, Rancho Santa Margarita, California 92688
tel 949-546-8000 | fax 949-546-8001 | www.abracon.com