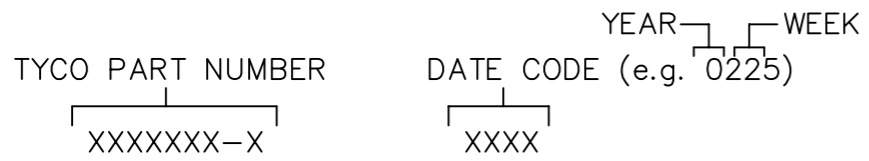


This drawing involves proprietary design rights of Tyco Electronics Corporation, and all design, manufacture, reproduction, use and sale rights regarding the same are expressly reserved. It is submitted for a specific purpose and the recipient by accepting this drawing, assumes custody and control and agrees to take reasonable precautions; (a) that this drawing will not be copied and reproduced, in whole or in part, or its contents revealed in any manner, or to any person except to meet the purpose for which it was delivered and (b) that any special features peculiar to this design will not be incorporated in other projects without the expressed written permission of Tyco Electronics Corporation.

REVISIONS			
EC	REV	DESCRIPTION	DATE
CPR	A	NEW RELEASE	11/23/05

5 ITEMS PROVIDED TO THIS SPECIFICATION TO BE PERMANENTLY IDENTIFIED PER THE FOLLOWING IDENTIFIER:



4 ALL CRIMP CONTACTS AND SCREWS ARE PACKAGED SEPARATELY AND PLACED IN THE BOX WITH THE CONNECTOR ASSEMBLY. THE CONNECTOR ASSEMBLY SHALL BE PACKAGED AS A KIT.

3. FINISHES:

- SIZE #8 CONTACT: SILVER PLATED.
- SIZE #12 CONTACT: SILVER PLATED.
- SIZE #20 CONTACT: GOLD PLATED.
- CROWN BAND: GOLD PLATED.

2. MATERIALS:

- HOUSING: THERMOPLASTIC, GLASS REINFORCED, UL94V-0 FLAMMABILITY RATED, COLOR-BLACK.
- CONTACT: BRASS ROD ALLOY.
- CROWN BAND: BERYLLIUM COPPER.
- RETENTION CLIP: BERYLLIUM COPPER OR STAINLESS STEEL.

1. PART NUMBER CHANGES AND OR DESIGN CHANGES AFFECTING ITEM INTERCHANGEABILITY REQUIRE PRIOR ELCON APPROVAL AND AUTHORIZATION BY REVISION TO THIS DRAWING.

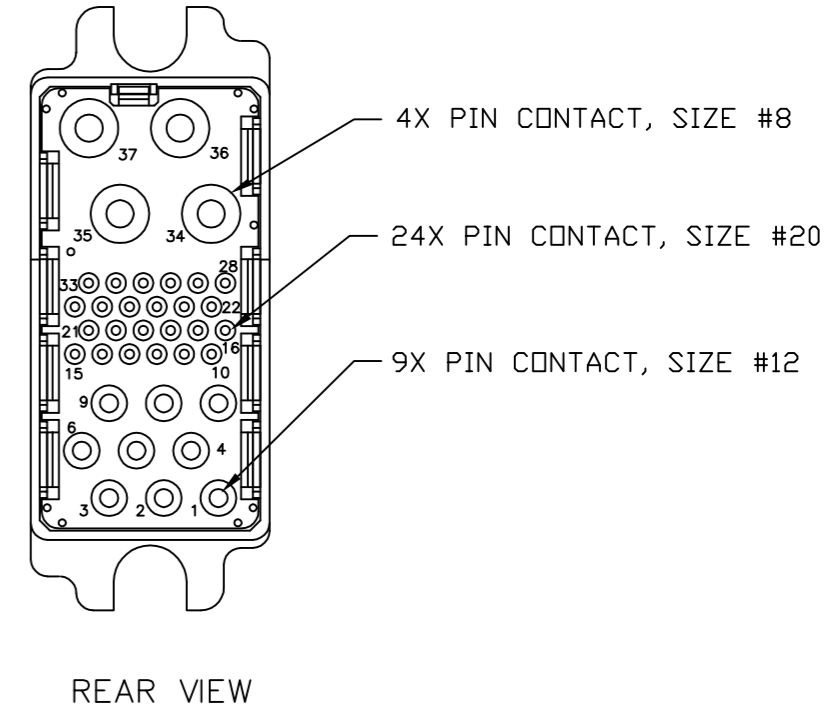
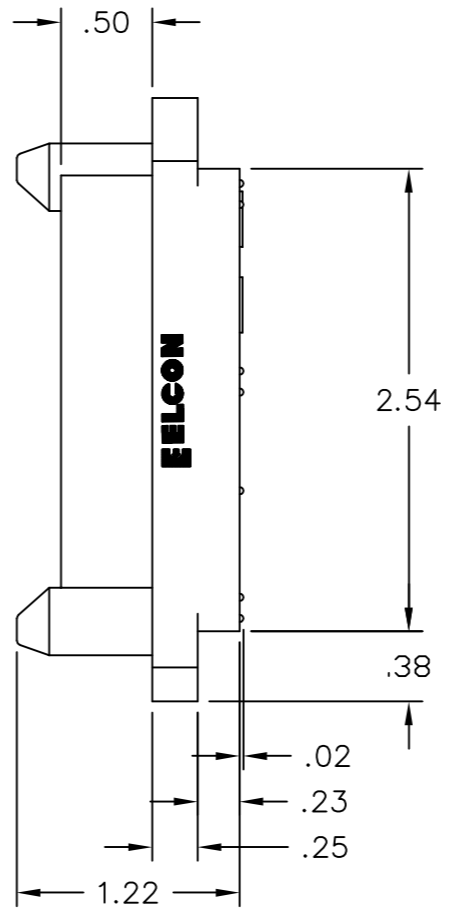
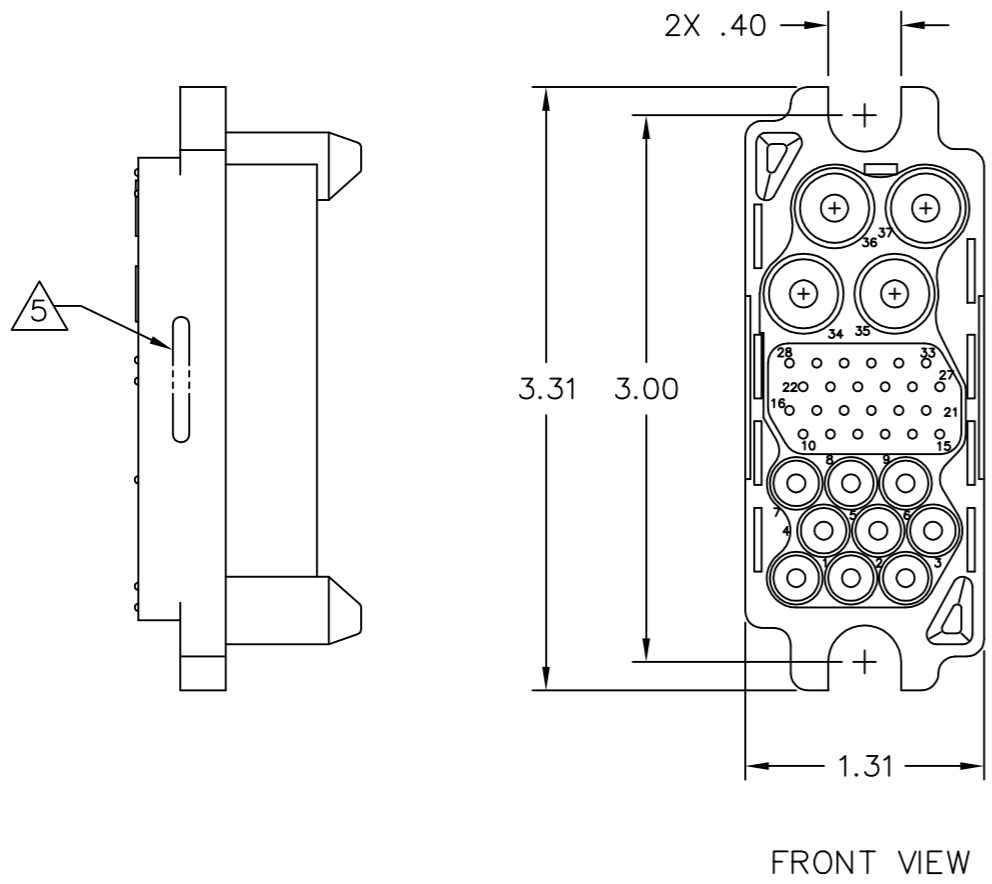
NOTES: UNLESS OTHERWISE SPECIFIED

PART NUMBER	DESCRIPTION	POSITION	QTY
1648162-2	HOUSING, PIN, FLOAT MOUNT	N/A	1
1766192-1	CONTACT, PIN, SIZE #8, CRIMP, STD	4	3
1766197-1	CONTACT, PIN, SIZE #8, CRIMP, PREMATE	4	1
1650155-1	CONTACT, PIN, SIZE #20, CRIMP, STD	4	1
1650161-1	CONTACT, PIN, SIZE #20, CRIMP, PREMATE	4	12
1766193-1	CONTACT, PIN, SIZE #12, CRIMP, STD	4	2
1766195-1	CONTACT, PIN, SIZE #12, CRIMP, PREMATE	4	1
1650589-1	SCREW, SHOULDER, M4 x 0.7 THD	4	2

<p>THIRD ANGLE PROJECTION</p> <p>UNLESS OTHERWISE SPECIFIED DIMENSIONS ARE IN INCHES (METRIC)</p> <p>TOLERANCES</p> <p>ANGLES ± .5°</p> <p>DECIMALS</p> <p>.XXX ± .010 (.25)</p> <p>.XX ± .02 (.3)</p>	<p>INCH OR INCH (MM)</p> <p>← INCH →</p> <p>MM</p>	<p>DRAWN</p> <p>M. ALIM</p>	<p>DATE</p> <p>11/23/05</p>	<p>tyco Tyco Electronics Corporation</p> <p>Electronics Menlo Park, Ca 94025</p> <p>ELCON</p>
	<p>CHECKED</p>		<p>TITLE</p> <p>CONNECTOR, PIN</p> <p>75 Amp MIDDLE DRAWER</p> <p>PN 1766971-1</p>	
	<p>APPROVED</p>		<p>SIZE</p> <p>B</p>	<p>DWG NUMBER</p> <p>C = 1766971</p>
	<p>APPROVED</p> <p>D. CHAU</p> <p>11/23/05</p>	<p>11/23/05</p>	<p>REV.</p> <p>A</p>	
<p>DCA APPROVED</p> <p>M. ALIM</p> <p>11/23/05</p>	<p>ACAD FILE NUMBER</p> <p>C1766971A.DWG</p>	<p>DWG SCALE</p> <p>1=1</p>	<p>SH 1 OF 2</p>	

This drawing involves proprietary design rights of Tyco Electronics Corporation, and all design, manufacture, reproduction, use and sale rights regarding the same are expressly reserved. It is submitted for a specific purpose and the recipient by accepting this drawing, assumes custody and control and agrees to take reasonable precautions; (a) that this drawing will not be copied and reproduced, in whole or in part, or its contents revealed in any manner, or to any person except to meet the purpose for which it was delivered and (b) that any special features peculiar to this design will not be incorporated in other projects without the expressed written permission of Tyco Electronics Corporation.

REVISIONS			
EC	REV	DESCRIPTION	DATE
		SEE SHEET 1	



INCH OR INCH (MM) THIRD ANGLE PROJECTION UNLESS OTHERWISE SPECIFIED DIMENSIONS ARE IN INCHES (METRIC) TOLERANCES ANGLES ± .5° DECIMALS .XXX ± .010 (.25) .XX ± .02 (.3)	DRAWN M. ALIM	DATE 11/23/05	Tyco Electronics Corporation Menlo Park, Ca 94025
	CHECKED	APPROVED	
	APPROVED D. CHAU	11/23/05	SIZE DWG NUMBER B C-1766971
	DCA APPROVED M. ALIM	11/23/05	REV. A
	ACAD FILE NUMBER C1766971A.DWG		DWG SCALE 1=1 SH 2 OF 2