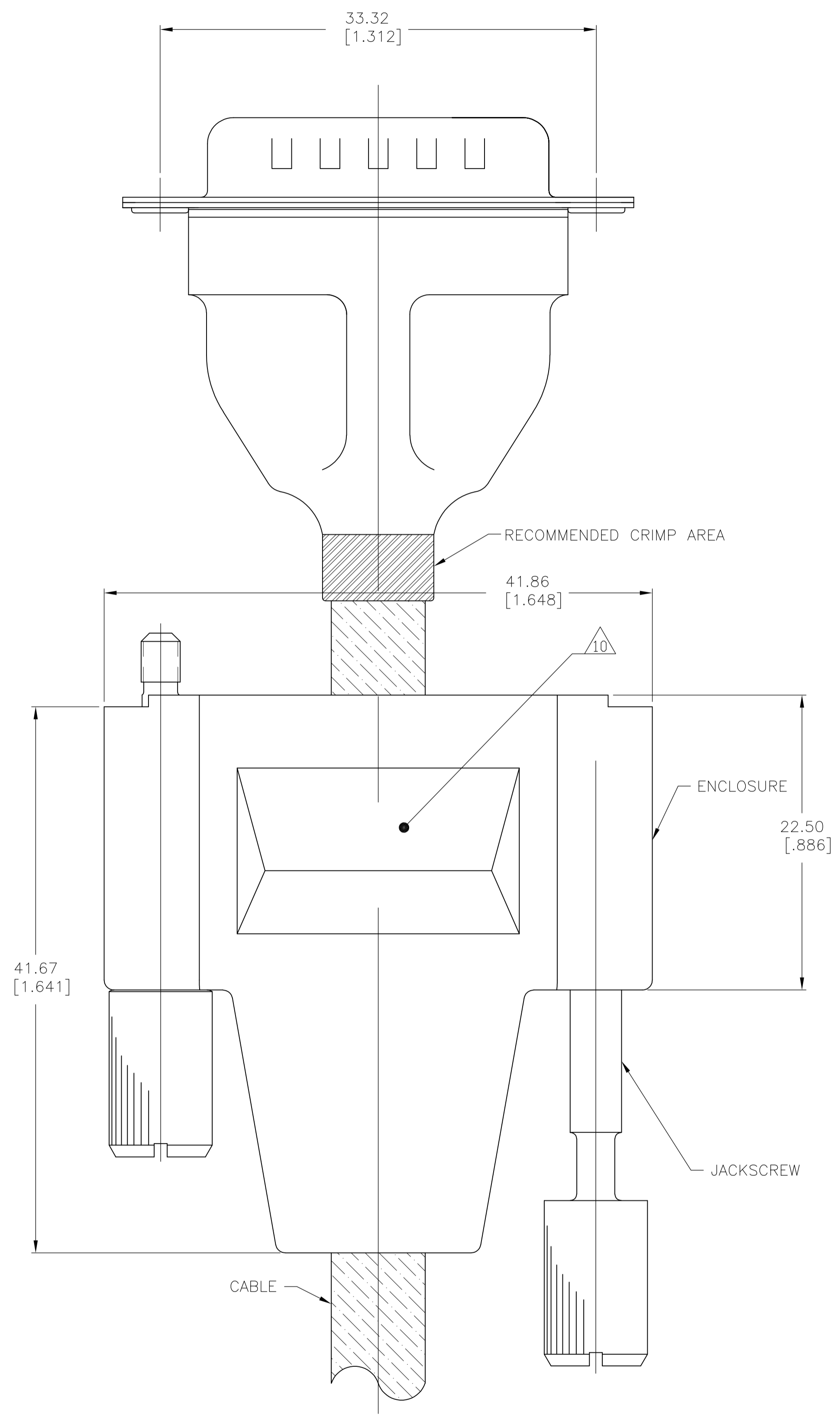


LOC	DIST	REVISIONS			
GP	00	REV	DESCRIPTION	DATE	BY
		F	REVISED PER ECO-12-003967	13APR2012	CJV



EXPLODED VIEW OF ASSEMBLED KIT

- 1 MATERIAL
INSERT: PBT, BLACK, UL94V-0 RATED
CONTACT & JACKSCREWS: BRASS
SHELLS & SHIELD: STEEL
ENCLOSURE: PVC, BLACK
- 2 FINISH:
CONTACT: GOLD PLATING 0.02µm[.000008] MIN ON CONTACT AREA/2.3µm[.000090] MIN TIN-LEAD PLATING ON SOLDER AREA. ALL OVER 1.27µm[.000050] MIN NICKEL.
SHELL: 2.4µm[.000095] MIN TIN.
SHIELD: 2.0-3.0µm[.000080-.000120] TIN.
- 3 SPECIFICATION:
ELECTRICAL CHARACTERISTICS:
CURRENT RATING: 3 AMPERES
DIELECTRIC WITHSTANDING VOLTAGE: AC 1000V r.m.s
INSULATION RESISTANCE: 5000 MEGAOHMS MINIMUM AT DC 500V
CONTACT RESISTANCE: 10 MILLIOHMS MAXIMUM.
- 4 PLUG CONNECTOR FULLY LOADED WITH CONTACTS. ALL OTHER PARTS ARE SHIPPED UNASSEMBLED, EACH PART INDIVIDUALLY BULK PACKED.
- 5 SOLDER CUP WILL ACCOMMODATE 20 MAX. AWG WIRE.
- 6 FINISH:
CONTACT: GOLD PLATING 0.02µm[.000008] MIN ON CONTACT AREA/2.3µm[.000090] MIN HOT DIPPED TIN-COPPER PLATING ON SOLDER AREA. ALL OVER 1.27µm[.000050] MIN NICKEL.
SHELL: 2.4µm[.000095] MIN BRIGHT TIN.
SHIELD: 2.0-3.0µm[.000080-.000120] TIN.
- 8 ROHS 2002/95/EC COMPLIANT PART (SEE SHEET 2)
- 9 OBSOLETE PARTS: OBSOLETE CIS STREAMLINING PER D.RENAUD/D.SINISI.
- 10 COMPANY LOGO IN APPROXIMATE AREA SHOWN.
- 11 ASSEMBLE PER 408-10443.

8 9	OBSOLETE	6	10.8 [.425]	1571651-6
8		6	9.5 [.374]	1571651-5
8 9	OBSOLETE	6	7.2 [.283]	1571651-4
	SUPERSEDED BY 1571651-6	2	10.8 [.425]	1571651-3
	SUPERSEDED BY 1571651-5	2	9.5 [.374]	1571651-2
	SUPERSEDED BY 1571651-4	2	7.2 [.283]	1571651-1
	FINISH		CABLE DIA L	PART NUMBER

THIS DRAWING IS A CONTROLLED DOCUMENT.

DIMENSIONS: mm [INCHES]

TOLERANCES UNLESS OTHERWISE SPECIFIED:

0 PLC	±	-
1 PLC	±	0.3[.012]
2 PLC	±	-
3 PLC	±	-
4 PLC	±	-
ANGLES	±	+

MATERIAL 1 FINISH 2 6

APPROVED: M. BINNER 21NOV03

PRODUCT SPEC 108-40031

APPLICATION SPEC

SIZE A1 CAGE CODE DRAWING NO. 00779 C=1571651

RESTRICTED TO

CUSTOMER DRAWING SCALE 4:1 SHEET 1 OF 1 REV F

STE TE Connectivity

BULK KIT, PLUG, AMPLIMITE SOLDER CUP SHIELDING ENCLOSURE 15 POSITION, SIZE 2