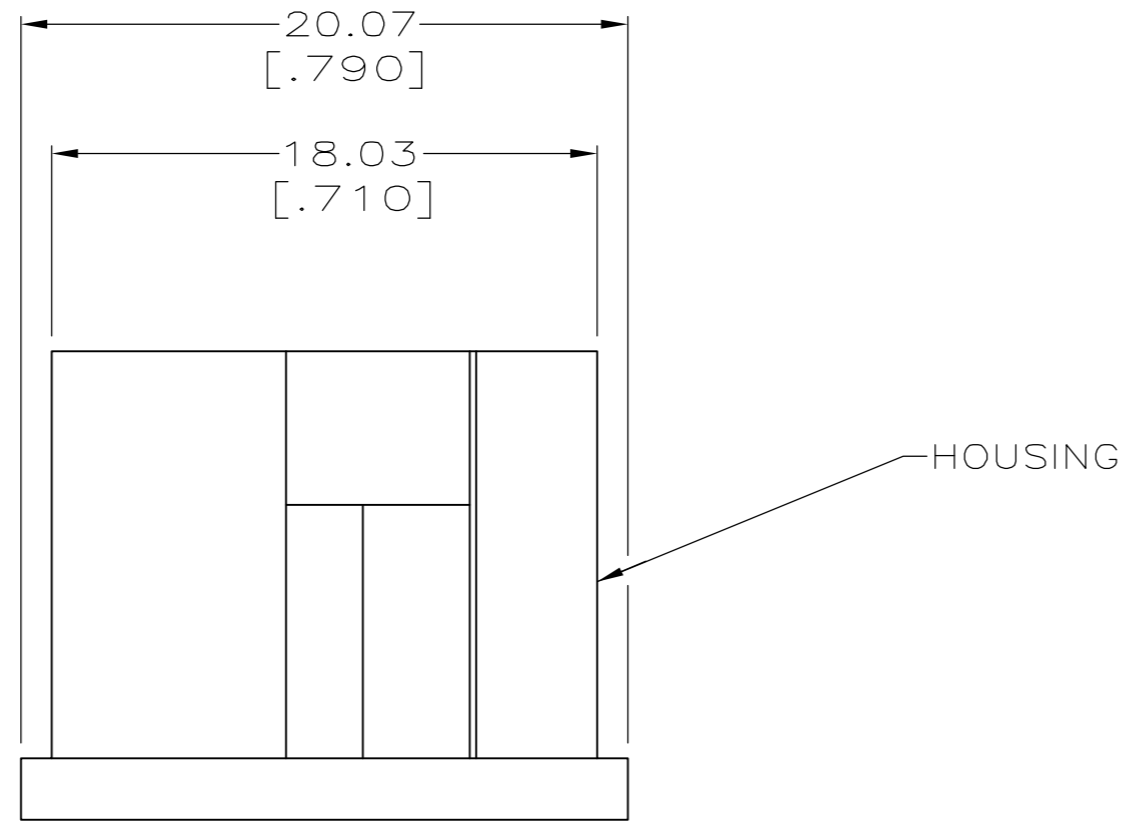
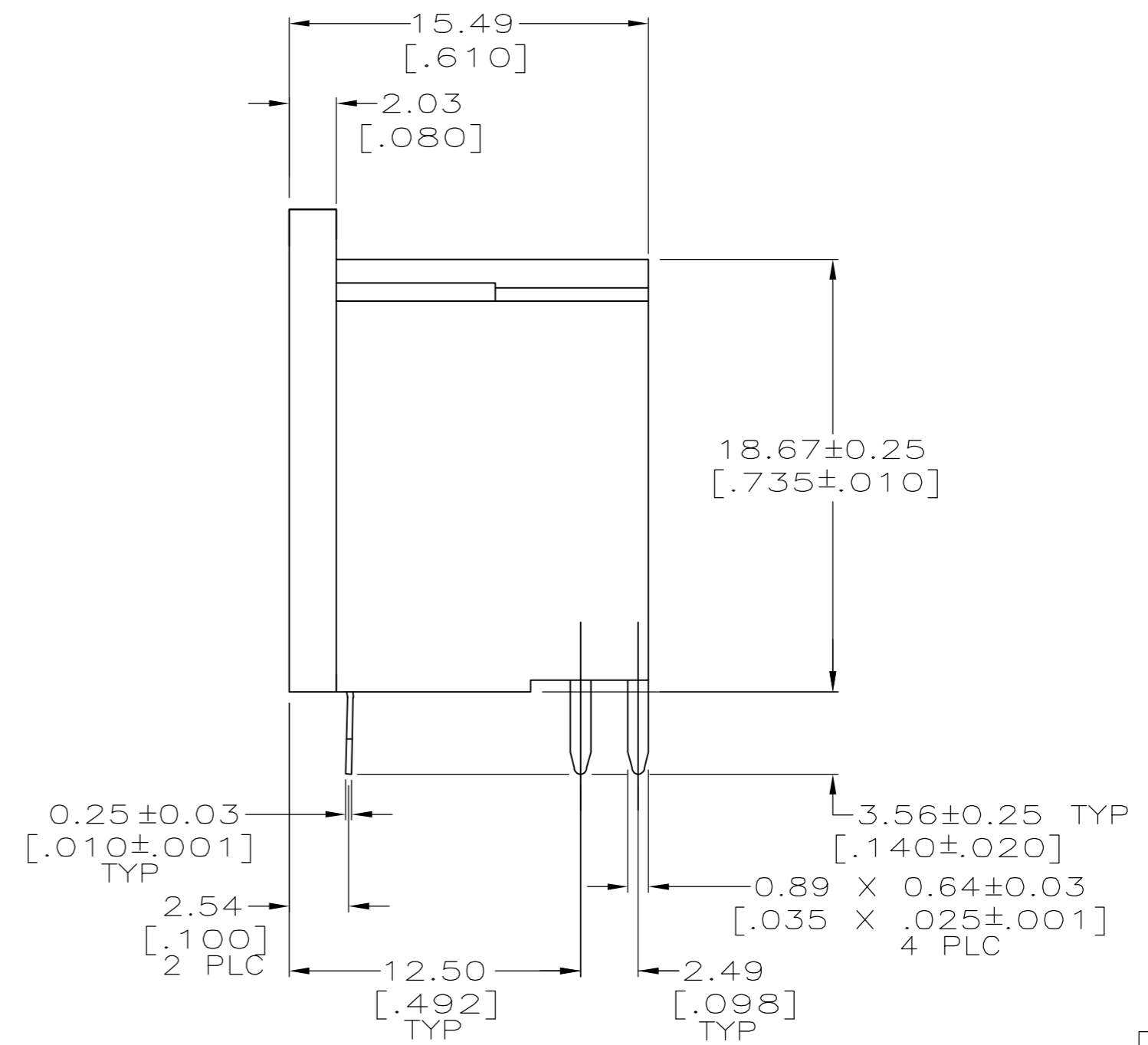
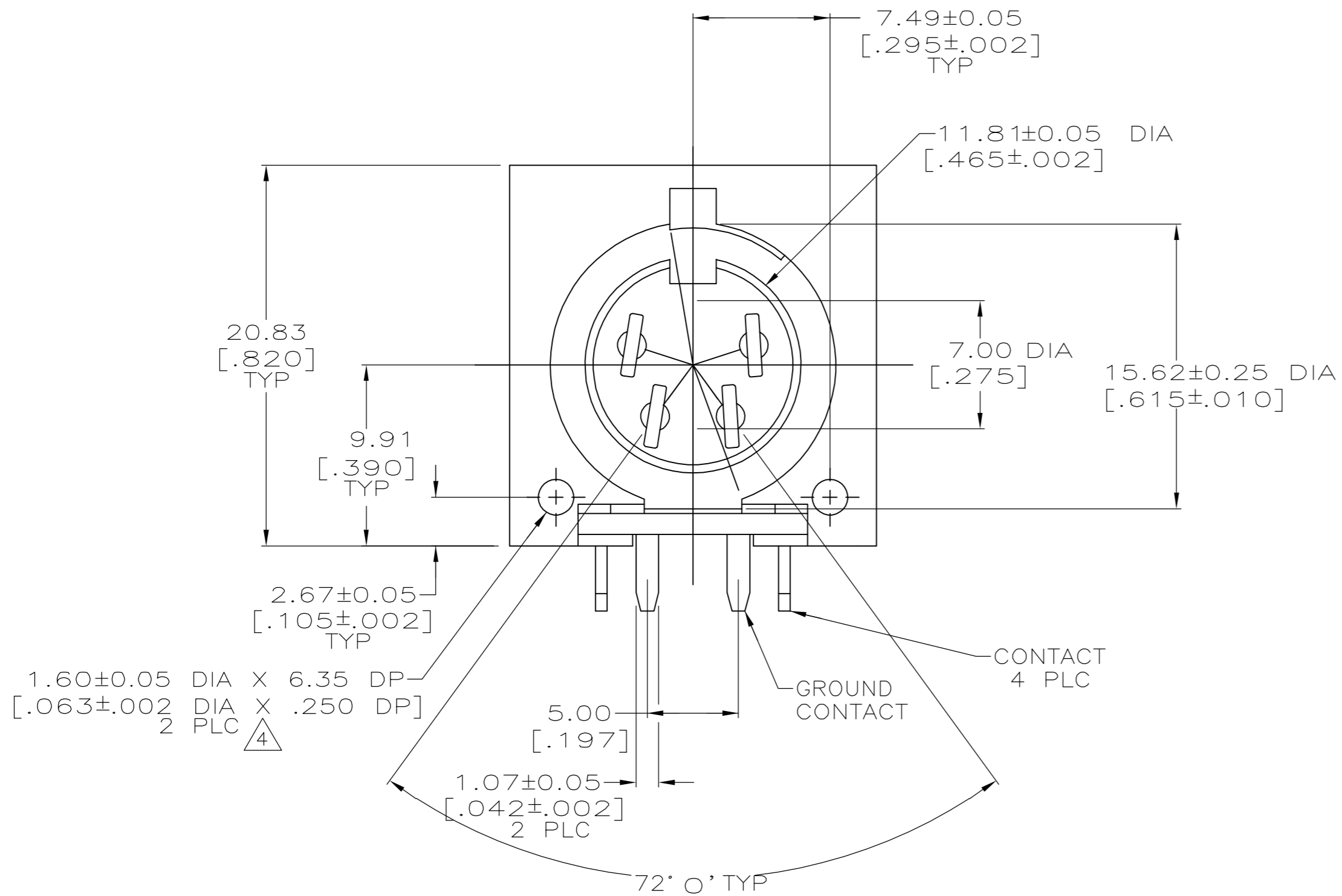


THIS DRAWING IS UNPUBLISHED. RELEASED FOR PUBLICATION
 © COPYRIGHT BY TYCO ELECTRONICS CORPORATION. ALL RIGHTS RESERVED.

LOC	DIST	REVISIONS			
P	LTR	DESCRIPTION	DATE	DWN	APVD
BD	39	G1	REVISED PER ECO-07-008008	10APR07	JDP/CWR



- ① HOUSING: NYLON, UL 94V-0 RATED, BLACK.
- ② 2.54 μm [.000100] MIN TIN-LEAD OVER 1.27 μm [.000050] MIN NICKEL.
- ③ TIN PLATING PER MIL-T-10727, NICKEL PLATING PER QQ-N-290.
- ④ ACCEPTS #2 SELF-TAPPING SCREW, .250 LONG REF.
- ⑤ MATES WITH 4 POSITION SHIELDED DIN PLUG 212437-2.
- ⑥ CONTACTS: BRASS PER ASTM B36.



211508

211508-1
PART NUMBER

THIS DRAWING IS A CONTROLLED DOCUMENT.		DWN	8/9/91		 Tyco Electronics Corporation Harrisburg, PA 17105-3608
DIMENSIONS: mm [INCHES]		CHK	-		
TOLERANCES UNLESS OTHERWISE SPECIFIED:		APVD	-		PRODUCT SPEC 108-10047 APPLICATION SPEC 114-40025
0 PLC ± - 1 PLC ± - 2 PLC ± 0.13[.005] 3 PLC ± - 4 PLC ± - ANGLES ± - FINISH		NAME RECEPTACLE ASSY, RIGHT ANGLE, 4 POSITION, CIRCULAR DIN			
MATERIAL ①⑥		SIZE	CAGE CODE	DRAWING NO	RESTRICTED TO
FINISH ②③		A2	00779	C=211508	-
CUSTOMER DRAWING		SCALE	4:1	SHEET	1 of 1
		REV	G1		