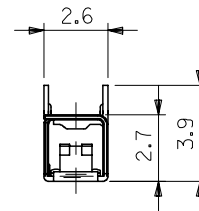
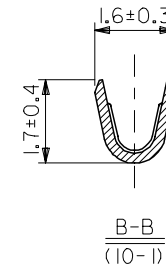
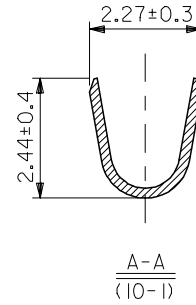
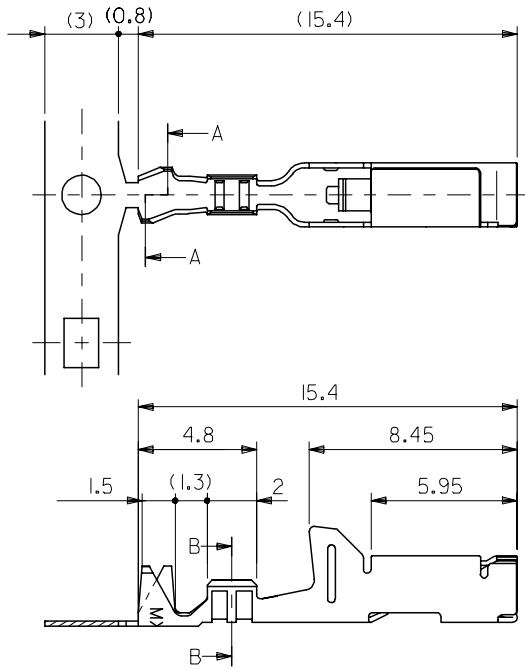


10 9 8 7 6 5 4 3 2 1



注記
NOTES

- 適合ハウジング:51154-160* , 501598-1604
APPLICABLE HOUSING:51154-160* , 501598-1604
- 材料:リン青銅、錫メッキ材 (t=0.2)
MATERIAL:PRE-TINNED PHOSPHOR BRONZE (t=0.2)
- 適用電線:APPLICABLE WIRE RANGE
CAVUS-0.3,0.22
CAVS-0.3
AVSS-0.3
- 被覆外径 Ø 0.95-1.5
INS. RANGE

56056-0005	連鎖状 CHAIN
MATERIAL NO.	端子形状 FORM

REVISED EC NO: J2006-1214 DRW:SHIBATA 2005/10/14 CHKD:TAITO 2005/10/14 APPR:KANESHIGE 2005/10/18	GENERAL TOLERANCES (UNLESS SPECIFIED)		DIMENSION STYLE MM ONLY		SCALE 5:1	DESIGN UNITS METRIC	THIRD ANGLE PROJECTION	
	10 UNDER	±0.2	DRAWN BY HKOMATSU	DATE 2001/7/5	TITLE 4.0 WIRE TO WIRE CRIMP RECEPTACLE (SAE J1962 DIAGNOSTIC CONNECTOR)			
	10 OVER 30 UNDER	±0.25	CHECKED BY MAYAMAMOTO	DATE 2001/7/5				
	30 OVER	±0.3	APPROVED BY YOITO	DATE 2001/7/5				
ANGULAR ±3 °		DRAFT WHERE APPLICABLE MUST REMAIN WITHIN DIMENSIONS		MATERIAL NO. SEE CHART		DOCUMENT NO. SD-56056-002		SHEET NO. 1 OF 1
THIS DRAWING CONTAINS INFORMATION THAT IS PROPRIETARY TO MOLEX INCORPORATED AND SHOULD NOT BE USED WITHOUT WRITTEN PERMISSION								