

## DETAILS

<b>Product Number</b>	C13472_STRADA-B2
<b>Family</b>	Strada
<b>Type</b>	Lens
<b>Color</b>	clear
<b>Diameter</b>	19,6 + 15,5 mm
<b>Height</b>	5,2 mm
<b>Style</b>	rectang
<b>Optic Material</b>	PMMA
<b>Holder Material</b>	
<b>Fastening</b>	glue, pin
<b>Status</b>	production ready
<b>ROHS Compliant</b>	Yes
<b>Date Updated</b>	26/04/2016



## OPTICAL PROPERTIES

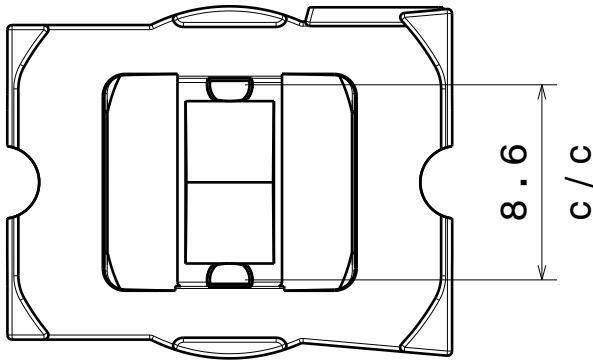
LED	Viewing Angle	Light Beam	Efficiency	cd/lm	Connector
XT-E	119+40 deg		94 %	0.600	-
XP-G2	sim: 111+44		sim: 92 %	-	-
Oslon Square Gen3	sim: 44+111		sim: 95 %	-	-
LH351Z	119+47 deg		93 %	0.520	-

D

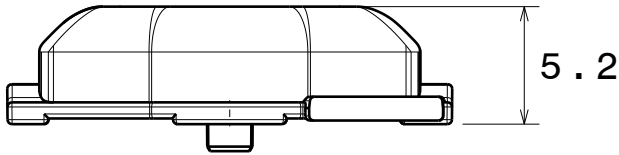
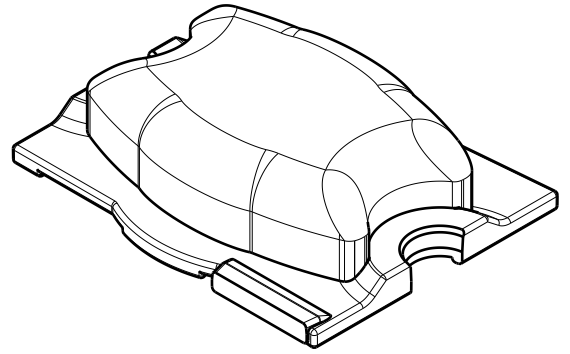
C

B

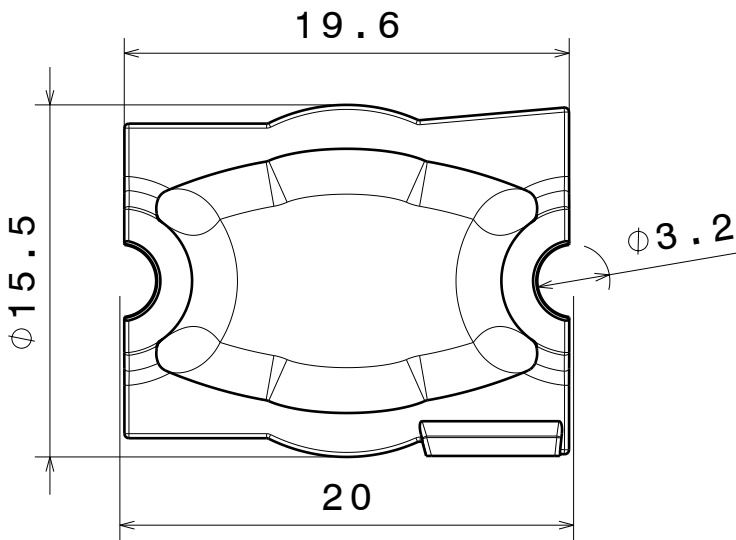
A



Bottom view



Front view

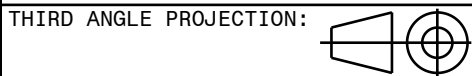


Top view

c / c

Tolerances if not otherwise shown  
 According to DIN ISO 2768-1  
 Linear measures:  
 Up to 30mm class M, otherwise class C.  
 According to DIN ISO 2768-2  
 Form and position: class L

**LEDiL** Ledil Oy  
 Salorankatu 10  
 FIN 24240 SALO  
 Finland



THIRD ANGLE PROJECTION:  
**DRAWING TITLE**  
**STRADA-B2 Mechanical drawing**

This drawing is the property  
 of LEDiL Oy. It may not be  
 reproduced, copied or  
 communicated without a written  
 agreement with LEDiL Oy."

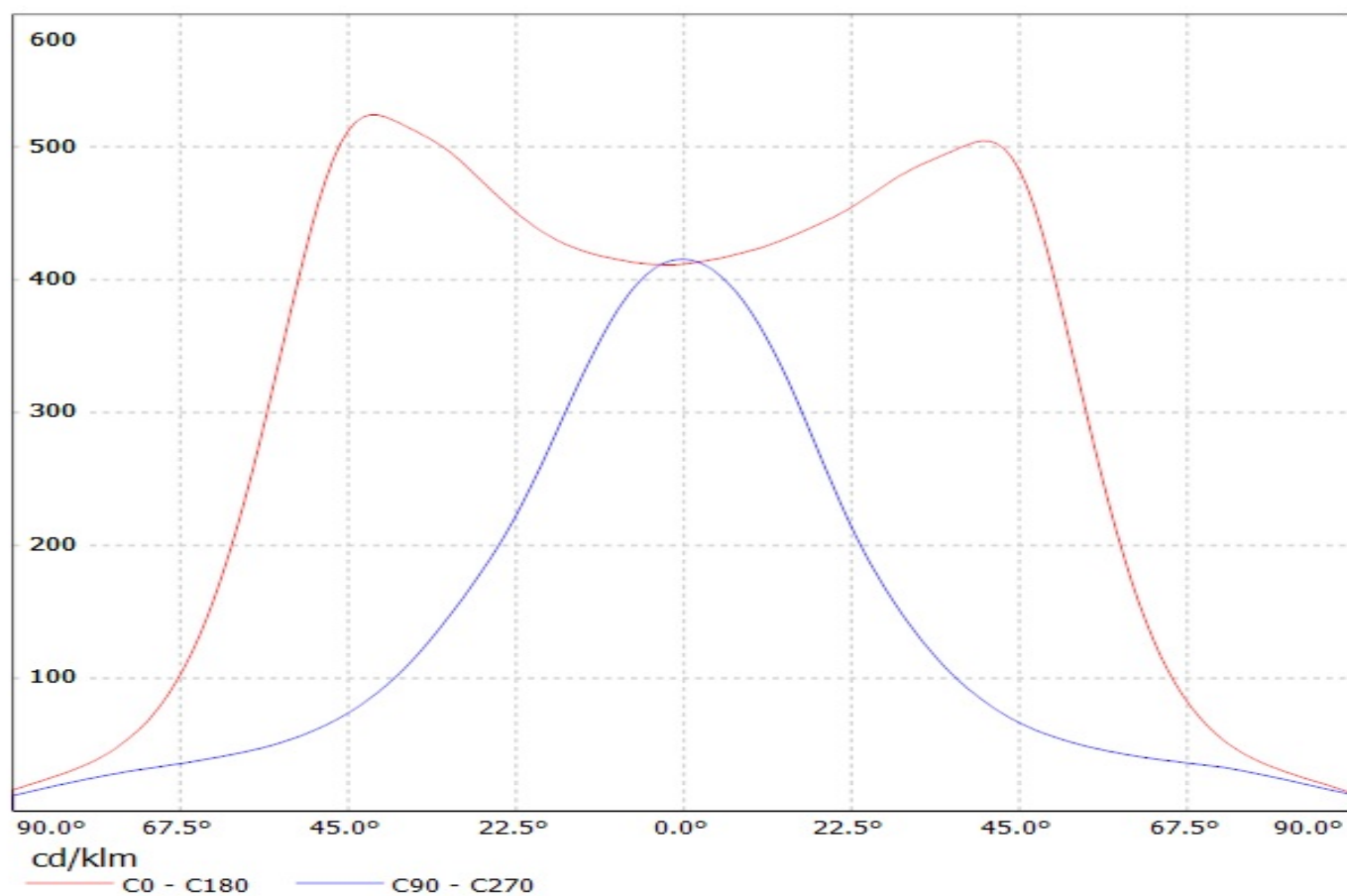
SIZE	PART NUMBER		
A4	-		
SCALE	3:1	WEIGHT	-
		SHEET	1/1

D

A

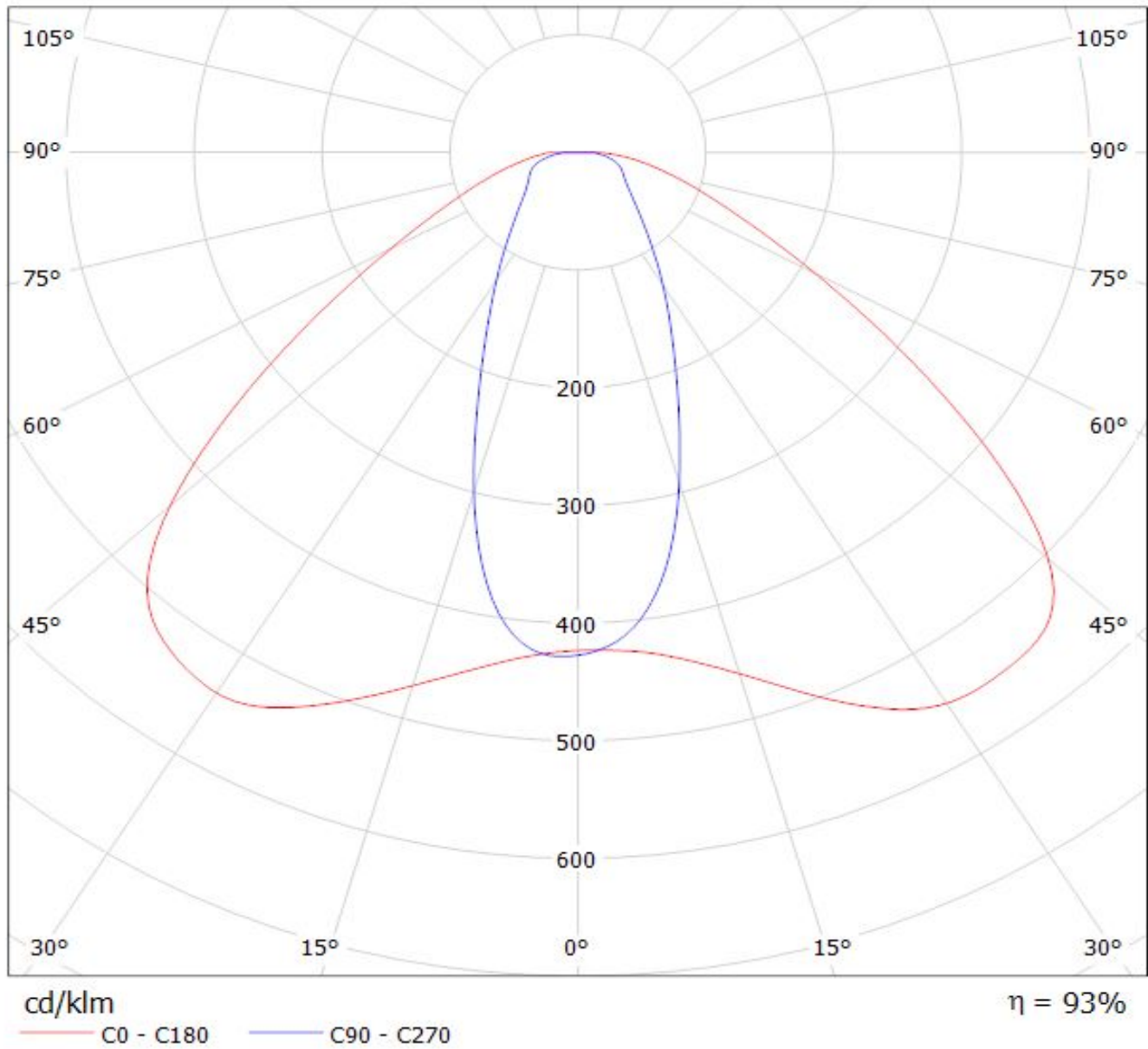


Luminaire: LEDiL Oy C13472\_STRADA-B2\_(LH351Z) Eff.92.6%  
Lamps: 1 x SAMSUNG\_LH351Z\_90.238lm@250mA\_P=0.747026W\_I=249.9mA

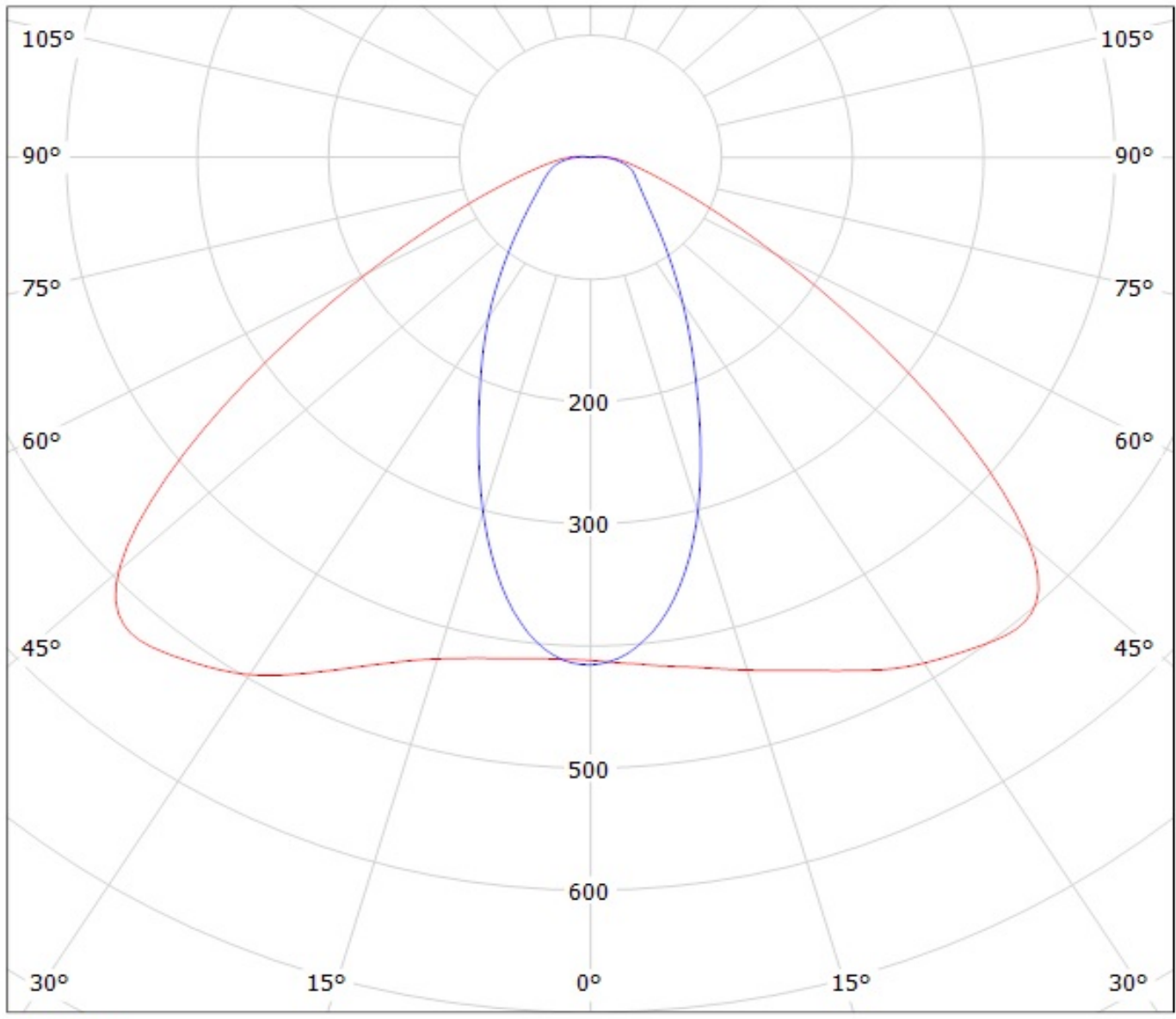


Luminaire: LEDiL Oy C13472\_STRADA-B2\_(XT-E) Eff.94%

Lamps: 1 x CREE\_XT-E 104.234lm@250mA CCT=4425K P=0,770367W I=249.9mA



Luminaire: LEDiL Oy C13472\_STRADA-B2\_(LH351Z) Eff.92.6%  
Lamps: 1 x SAMSUNG\_LH351Z\_90.238lm@250mA\_P=0.747026W\_I=249.9mA



cd/klm  
— C0 - C180    — C90 - C270

**NOTE: The typical divergence will be changed by different color, chip size and chip position tolerance. The typical total divergence is the full angle measured where the luminous intensity is half of the peak value.**