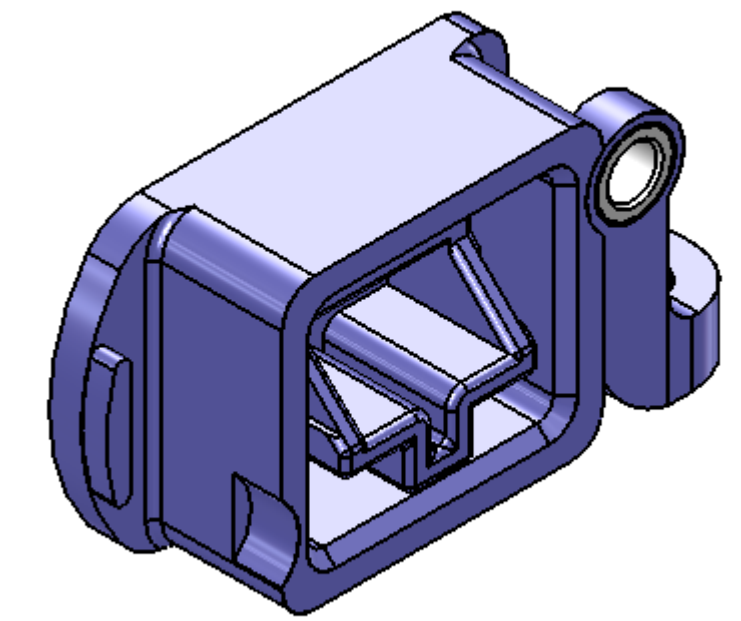
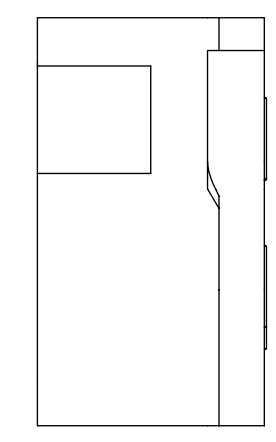
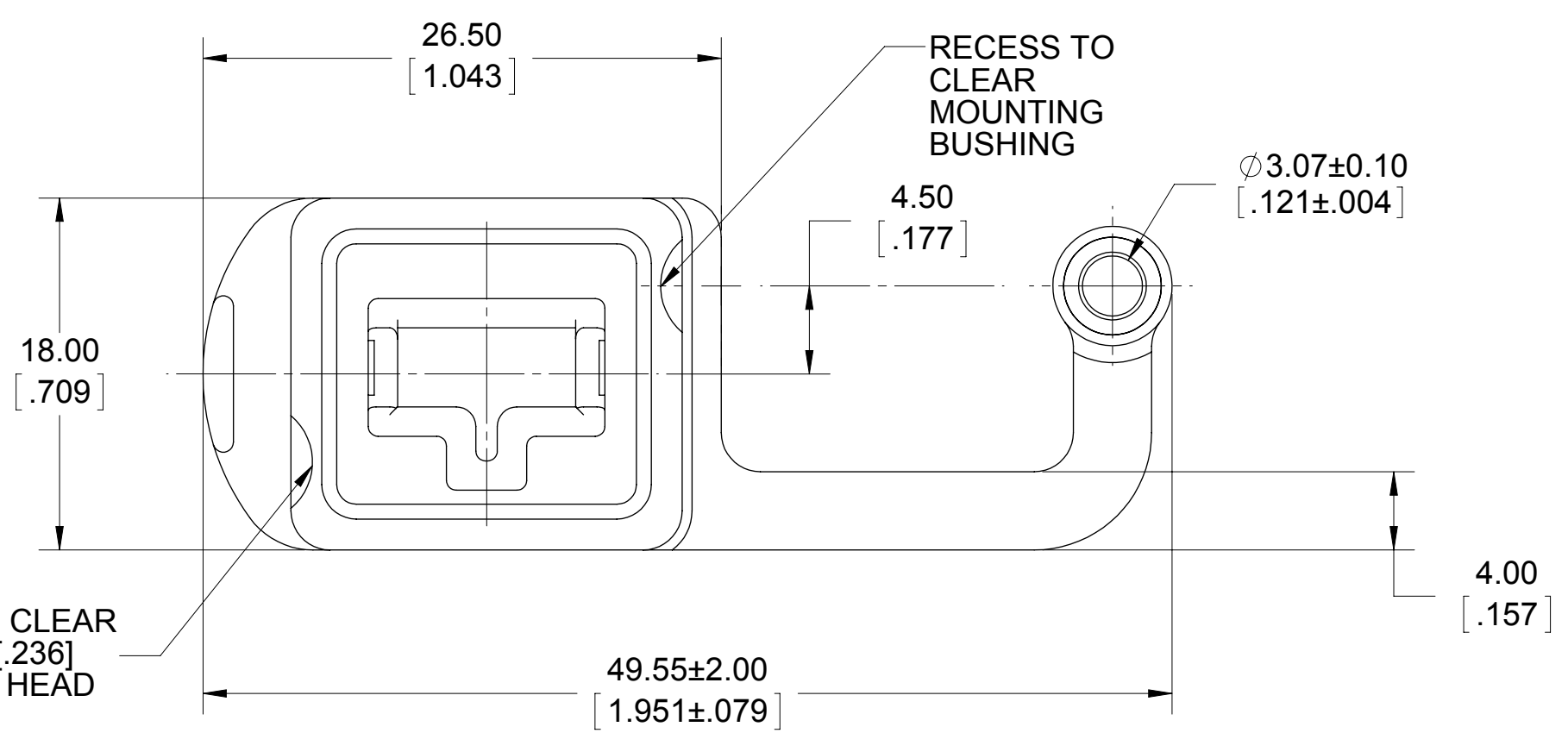
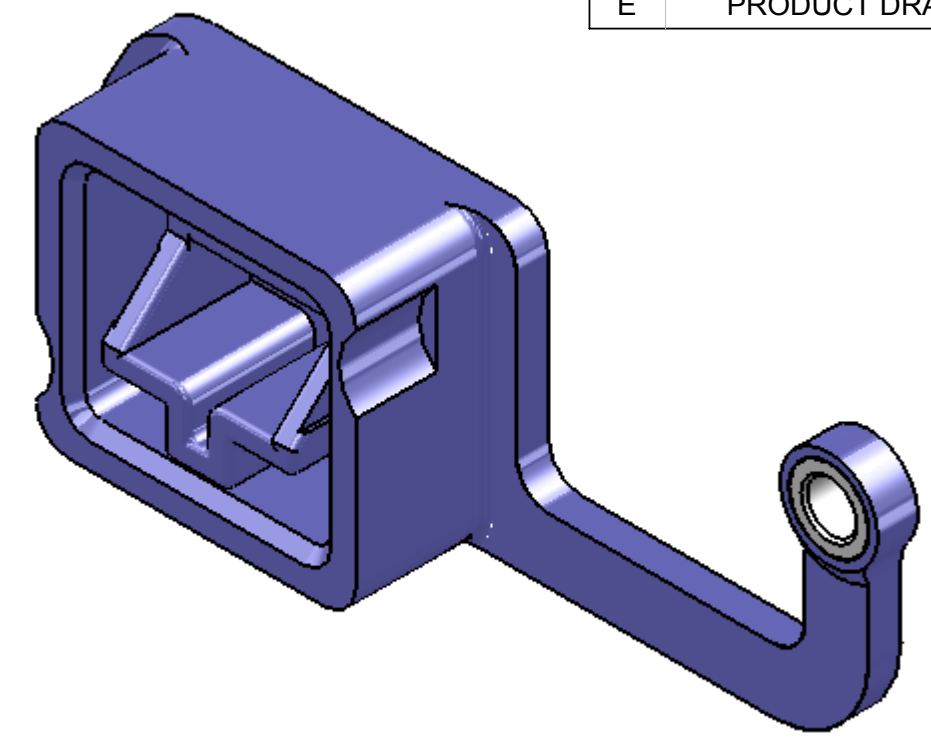
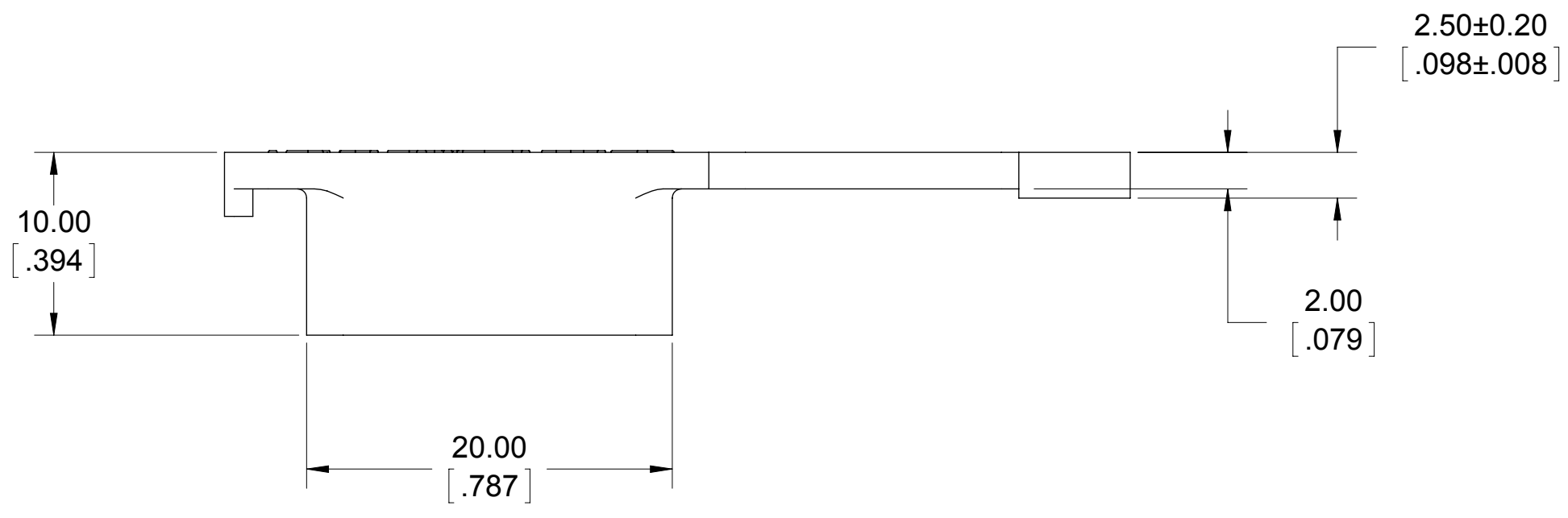


REVISIONS			
REV	DESCRIPTION, ECN, EAR NO.	DATE	APP'D
D	PRODUCT DRAWING (EAR 14024)	JAN9/12	K.L.
E	PRODUCT DRAWING (EAR 14024)	APR30/12	K.L.



**VIEW WITH STRAP BENT INTO INSTALLED POSITION**

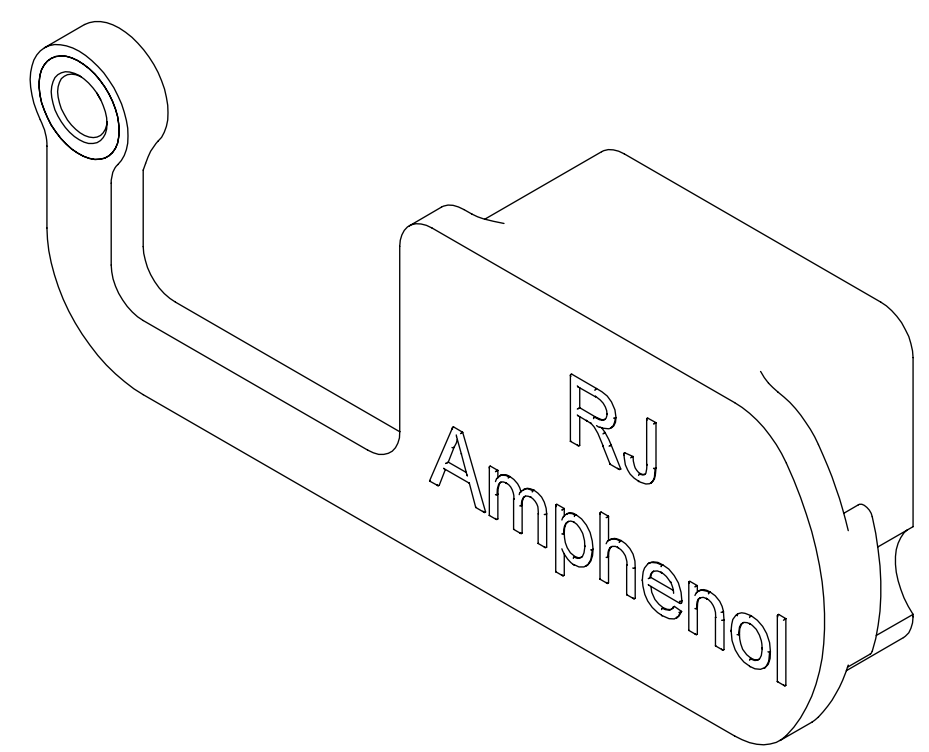
RECESS TO CLEAR UP TO 6.00 [.236] DIA SCREW HEAD

RECESS TO CLEAR MOUNTING BUSHING

**NOTES:**

- MATERIAL: SEE ALSO PART NUMBER CHART
  - NON-CONDUCTIVE SILICONE RUBBER, 70 SHORE A DUROMETER, UL94V-0 FLAMMABILITY RATING.
  - OR
  - CONDUCTIVE SILICONE RUBBER, 75 SHORE A DUROMETER, 2.00 Ohm-cm VOLUME RESISTIVITY.
- PART IS RoHS COMPLIANT PER EU DIRECTIVE 2002/95/EC AND AMENDMENTS
- OPERATING TEMPERATURE: -40 °C TO 105 °C

PART NUMBER	COLOUR	CONDUCTIVE
MRJ-2586-12BP	GREY	NO
MRJ-2586-22BP	BLACK	NO
MRJ-2586-42BP	BLACK	YES



UNLESS SPECIFIED OTHERWISE	DRAWN	M.JOHNSTON	FEB12/10
PRIMARY UNITS MILLIMETERS	CHECKED	K.LAMBIE	MAR04/10
SECONDARY INCHES	M.E. APP'D		
REFERENCE IN PARENTHESES	Q.A. APP'D		
GENERAL TOLERANCES	DWG APPR.	K.LAMBIE	MAR04/10
1 DECIMAL PLACE	ENG. REL. NO.	EAR 13665	
2 DECIMAL PLACES ±0.30	REF.		
3 DECIMAL PLACES			
ANGULAR DEGREES	THIRD ANGLE PROJECTION		

**Amphenol Canada Corp.**

MRJ CONNECTOR DUST COVER, GRIPS INSIDE & OUTSIDE OF MATING AREA, RoHS COMPLIANT

**P-MRJ-2586-X2BP**

DWG. NO.	REV
CODE ID NO. 03554	E
DWG SIZE: X	SCALE: 1:1
SHEET 1 OF 1	