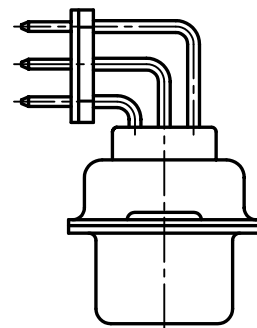
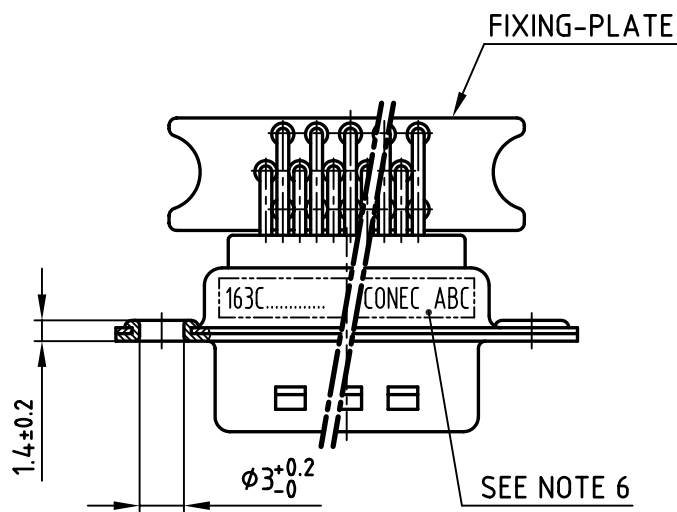
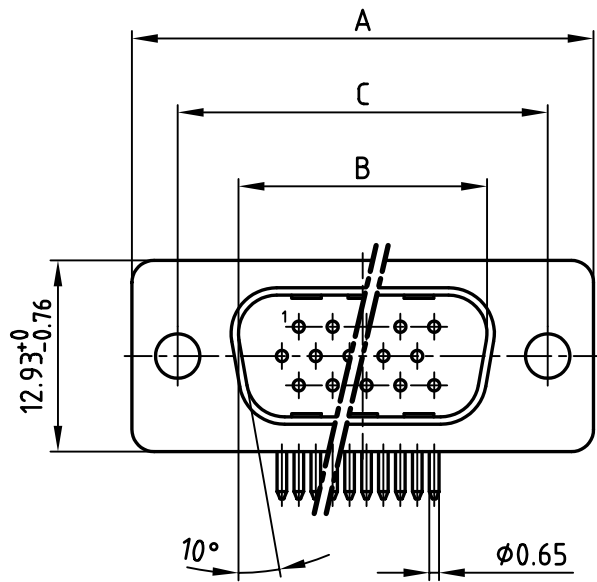
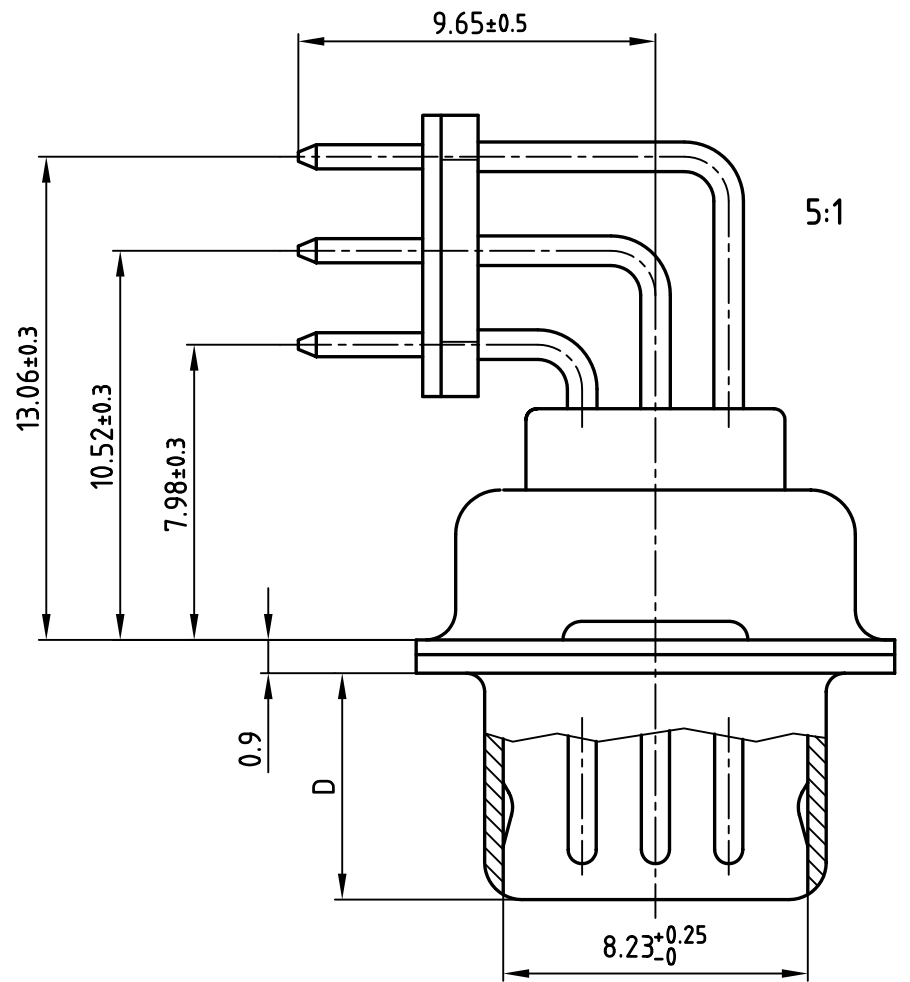


used for: D-SUB HD

POS.	A $-0.76$	B $+0.25$	C	D $-0.3$	Part NO.
15	31.19	16.79	25.00 $+0.12$ $-0.13$	6.12	163C17479X
26	39.52	25.12	33.30 $+0.15$ $-0.1$	6.12	163C17489X
44	53.42	38.84	47.04 $\pm 0.13$	5.99	163C17499X
62	69.70	55.30	63.50 $\pm 0.13$	5.99	163C17509X



**NOTES:**

- METALSHELLS: STEEL; min. 315µm TIN over 40-80µm NICKEL
- INSULATORS: PBT GF UL 94 V-0, BLACK
- CONTACTS: COPPER ALLOY  
PLATING: 30µm HARD GOLD OVER min. 50µm NICKEL
- FIXING-PLATE: PBT GF UL 94 V-0, BLACK
- P.C.B. HOLE DRILLINGS ON SHEET 2
- CONNECTOR IS PART MARKED: PART-NO. CONEC ABC

Directive 2002/95 EC  
„RoHS“  
Compliant

APPROVAL # FREIGABE # DEBLOCAGE # AUTORIZACION # APPROVAL

CUSTOMER APPROVAL DATE:

NAME: TITLE:

COMPANY NAME:

APPROVAL # FREIGABE # DEBLOCAGE # AUTORIZACION # APPROVAL

THIS DRAWING MAY NOT BE COPIED OR REPRODUCED IN ANY WAY, AND MAY NOT BE PASSED ON TO A THIRD PARTY WITHOUT WRITTEN PERMISSION.  
OWNERSHIP AND COPYRIGHT OF CONEC GmbH  
DO NOT ALTER CAD DRAWING BY HAND

rev.	description	date	name
a	Origin		

tolerance		dim. in mm
2008	date	
drawn	24.10.	name
appd.	24.10.	Mickenbecker
norm		DIN 41652
d-old		
<b>CONEC</b> <sup>®</sup>		

scale: 2:1 (5:1)

material: SEE NOTES

title: D-SUB HD MALE 90°  
15-62pos.  
with fixing-plate

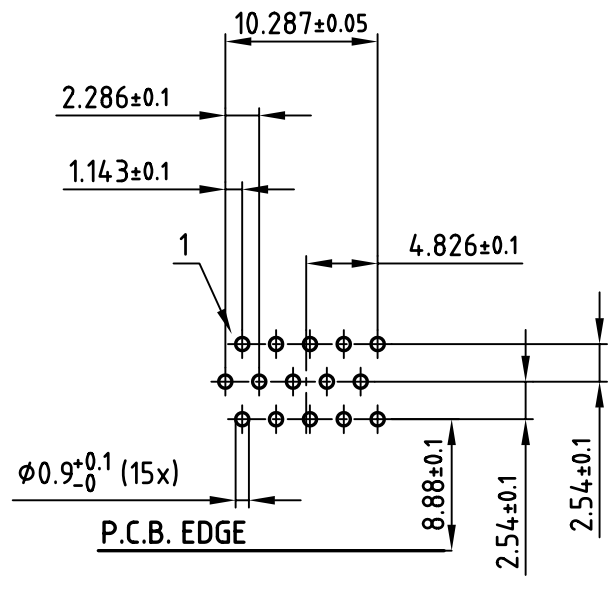
dwg no: AutoCAD 2006

16K2A1966

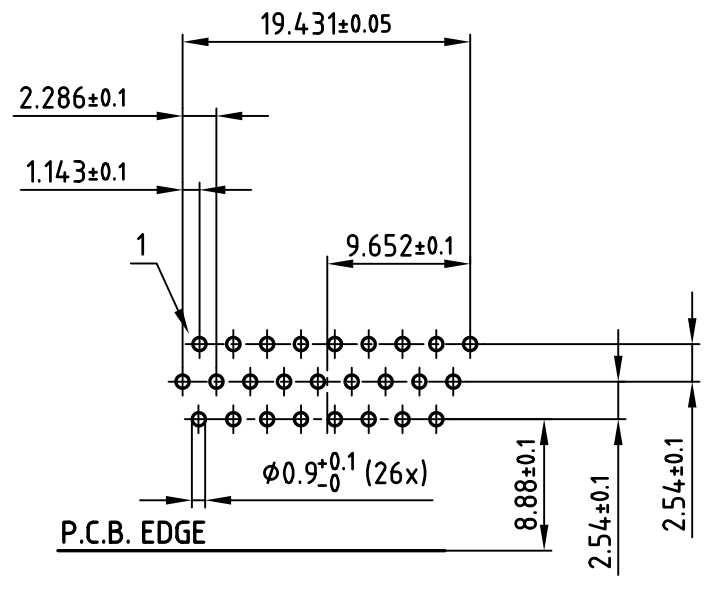
part no: SEE TABLE

DIN-A 3 sh:1/2

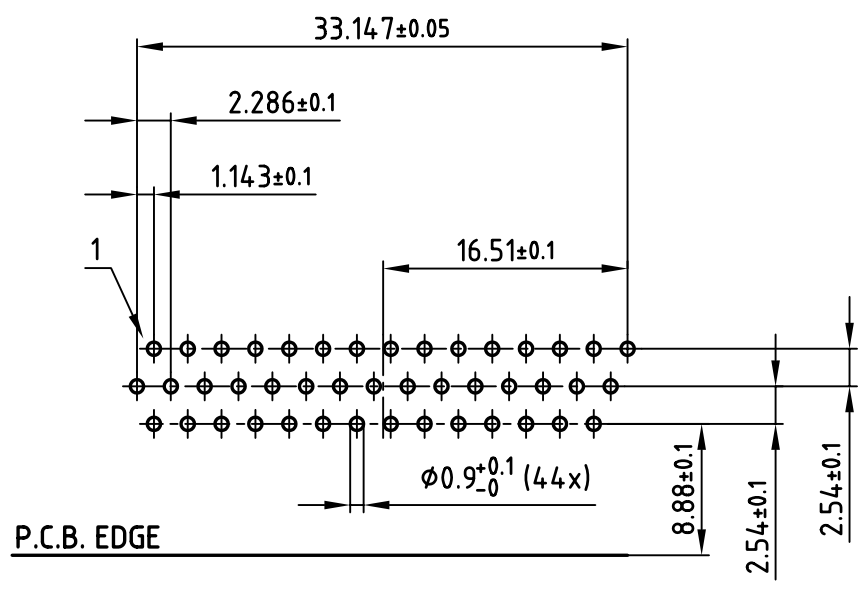
used for: D-SUB HD



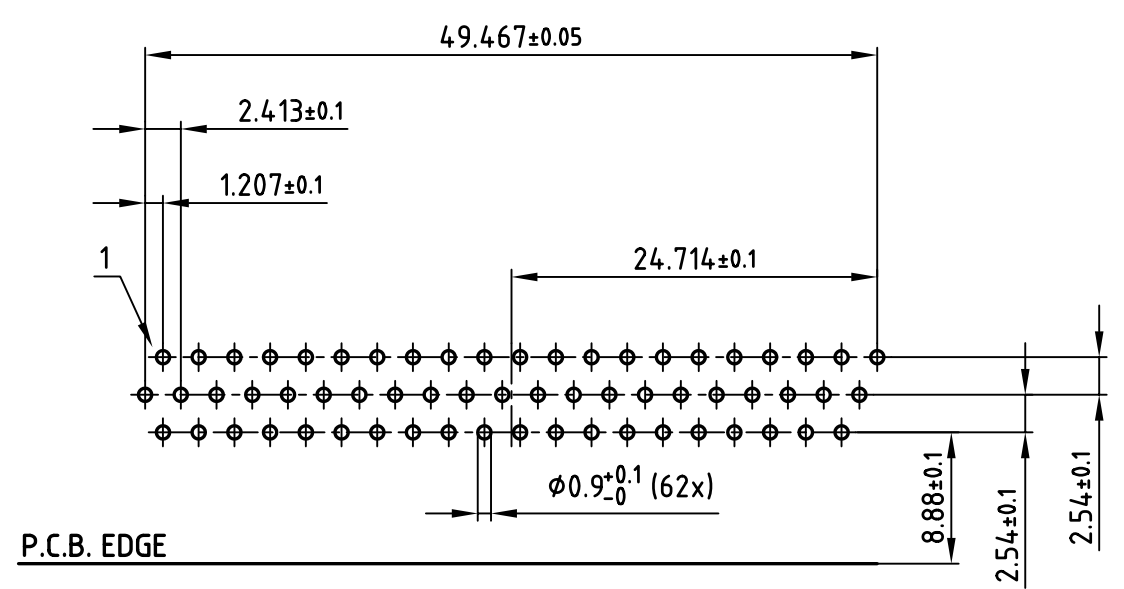
15pos.



26pos.



44pos.



62pos.

APPROVAL # FREIGABE # DEBLOCAGE # AUTORIZACION # APPROVAL

CUSTOMER APPROVAL DATE:

NAME: TITLE:

COMPANY NAME:

APPROVAL # FREIGABE # DEBLOCAGE # AUTORIZACION # APPROVAL

THIS DRAWING MAY NOT BE COPIED OR REPRODUCED IN ANY WAY, AND MAY NOT BE PASSED ON TO A THIRD PARTY WITHOUT WRITTEN PERMISSION. OWNERSHIP AND COPYRIGHT OF CONEC GmbH DO NOT ALTER CAD DRAWING BY HAND

tolerance		dim. in mm	scale: 2:1	
			material: SEE SHEET 1	
2008	date	title:		
drawn	24.10.	P.C.B. HOLE DRILLINGS		
appd.	24.10.	D-SUB HD MALE 90° 15-62pos.		
		with fixing-plate		
		norm		
		d-old		
a	Origin			
rev.	description			
	date	part no: SEE SHEET 1		
	name			