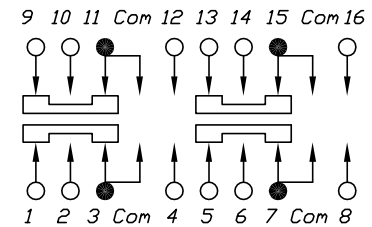
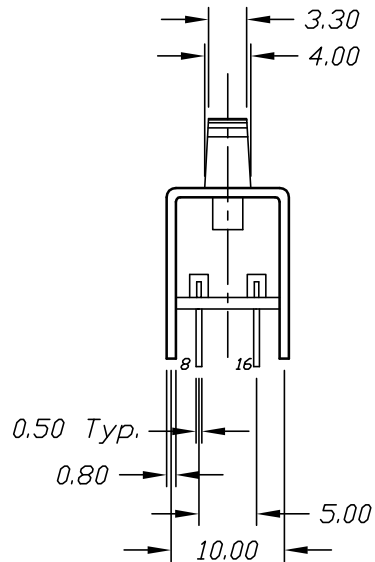
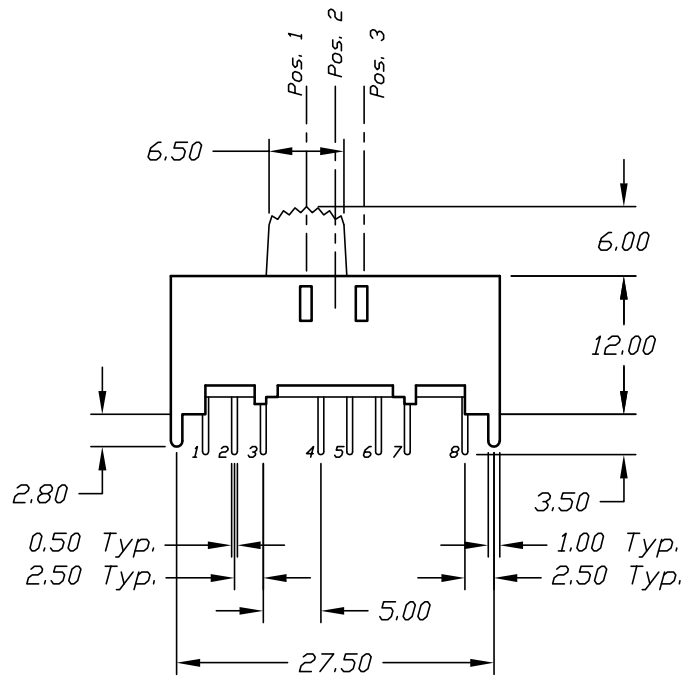


RECOMMEND P.C.B. LAYOUT



CIRCUIT: 4P3T

CONTACT CONFIGURATION

SWITCH FUNCTION		
POS. 1	POS. 2	POS. 3
3-1,7-5 11-9,15-13	3-2,7-6 11-10,15-14	3-4,7-8 11-12,15-16

NOTES:

1. ALL DIMENSIONS IN MM
2. TERM. NOS. FOR REF ONLY
3. RATING: 0.3A, @30V DC
4. TRAVEL TO MAKE: 2.50mm

TOLERANCES ±0.4 ±0.25 0.0 0.00				<b>E-SWITCH®</b>				
				TITLE EG 4305				
B	REVISED & REDRAWN	9/15/98		SCALE	DATE	DR	DWG	REV
REV.	DESCRIPTION	DATE	CHKD	1.5:1	6/7/94	MM	P143050	B
THE INFORMATION CONTAINED IN THIS DOCUMENT IS PROPRIETARY TO E-SWITCH AND IS NOT TO BE COPIED OR TRANSFERRED								