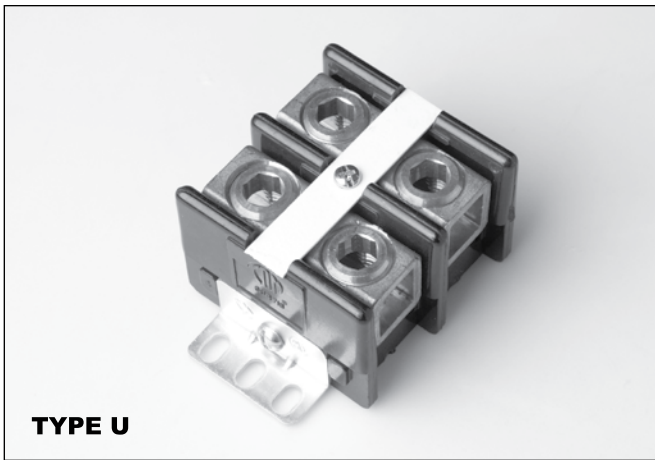
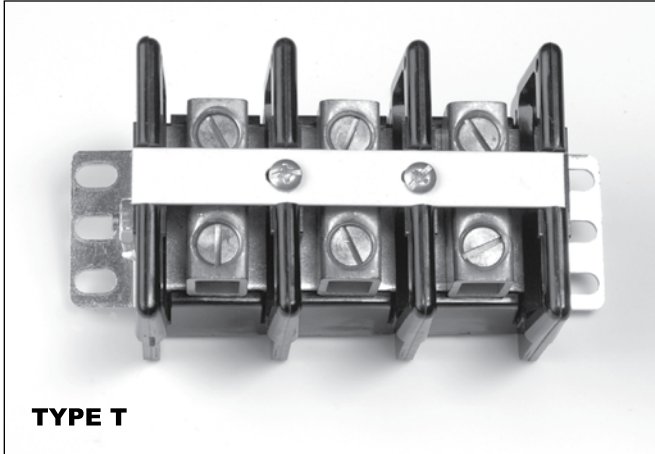


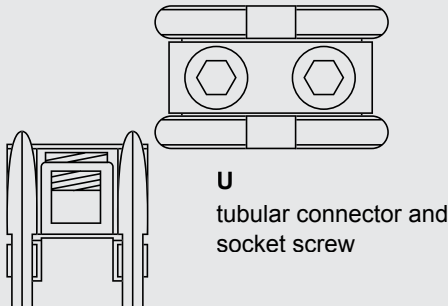
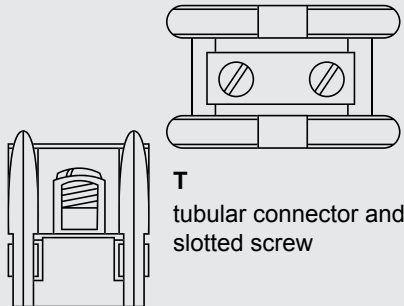
Types T & U 1.16" (28.46mm) Center-to-Center Spacing

High Voltage/Current

BARRIER STYLE





Types T & U Terminal Variations



Features:

- **Heavy Load Termination Flexibility** – Designed for machine, switchboard and other heavy load terminations.
- **Tubular, High Pressure Solderless Connections** – Accommodates wire without lugging – tapped sidewalls for greater mechanical strength – electrolytically pure copper solderless connections provide 100% conductivity.
- **Readily Adaptable to Special Applications** – Can be used for branch circuit termination with simple modification of standard terminal plate.
- **Combined Style Design Capability** – All types can be combined with each other as well as with Types H and BT.
- **Heavy Load Ratings and Wire Sizes** – Type T is rated at 125A/600V, has headless slotted screw, UL recognized for No. 6AWG to No. 1/0AWG wire. Type U is rated 250A/600V and features headless socket screw, UL recognized for No. 6AWG to 250MCM wire.
- **Recognition and Listing** – UL recognized and CSA certified

 Recognized under the Components Program of Underwriters Laboratories, Inc. Standard 1059, Guide No. XCFR2, File No. E62557.

 Guide No. 184-N-90, Report No. LR39186-1.

Terminal Designations

- T** Tubular copper with tapped sidewalls and headless slotted screw. Accepts wire from No. 6 AWG to No. 1/0AWG.
- U** Tubular copper with tapped sidewalls and headless socket screw. Accepts wire from No. 6AWG to 250MCM.



Specifications:

Wire Range:

- T – UL Recognized for No. 6AWG to No. 1/0AWG
- U – UL Recognized for No. 6AWG to 250MCM

No. of Terminals: T – 1 thru 6
U – 1 thru 4

Voltage Rating: 600V CSA and UL

Tightening Torque:

- T – 50 in.-lb.
- U – 275 in.-lb.

Current Rating: T: 125 amps, U: 250 amps

Housing:

| | |
|----------------------|------------------------------------|
| Material | Phenolic |
| Continuous Use | |
| Temp. (UL Index) | 150°C (302°F) |
| Flammability Rating | 94V-1 |
| Water Absorption | |
| (24 hrs. % wt. gain) | 0.5% |
| Chemical Resistance | Resistant to most organic solvents |

| | | |
|---------------------------|--------------|-------------|
| Breakdown Voltage: | T | U |
| Terminal - Terminal | 11,000V Typ. | 9,000V Typ. |
| Terminal - Ground | 9,700V Typ. | 9,600V Typ. |

Note: Specifications contained herein are subject to change without notice.

How to Order

Types T and U terminal blocks are ordered by listing a composite number made up of the model designation followed by the number of terminals required for the application.

Example: a 4-pole terminal block becomes T-4 or U-4

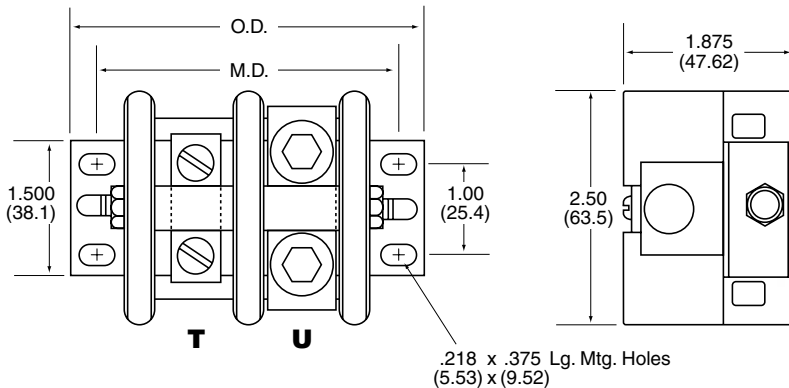
When ordering combinations of both types, the composite number is made up of both model designations followed by total number of poles and number of each type. A composite of two T terminals followed by two U terminals thus is converted to stock number TU-4 (2T, 2U).

Combining these types with types L, O, S, H and BT would follow the same ordering format. (*Note:* When combined with types H or BT, a special adapter is required.)

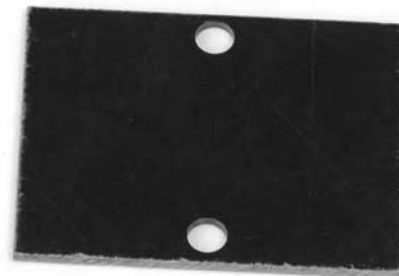
| Number of Terminals | Mounting Dimensions | | Overall Dimensions | |
|---------------------|---------------------|-------------|--------------------|-------------|
| | Inches | Metric (mm) | Inches | Metric (mm) |
| 1 | 2.183 | 55.46 | 2.683 | 68.16 |
| 2 | 3.342 | 84.88 | 3.842 | 97.58 |
| 3 | 4.500 | 114.31 | 5.000 | 127.01 |
| 4 | 5.659 | 143.73 | 6.159 | 156.43 |
| 5 | 6.817 | 173.16 | 7.317 | 185.86 |
| 6 | 7.976 | 202.59 | 8.476 | 215.29 |

Dimensions shown are ± 0.030 "

Types T & U Terminal Dimensions



NOTE: Lugs are not finished with blocks mm dim. are shown in parentheses



Types T & U Accessories

COVERS

Types T and U – Plain cover of 1/16" thick bakelite is permanently positioned to block with two screws. Factory-assembled or customer-installed.

To order, specify:

- T – Part No. 268A157 – 1 thru 6 terminals
- U – Part No. 268A157 – 1 thru 4 terminals

