

5

4

3

2

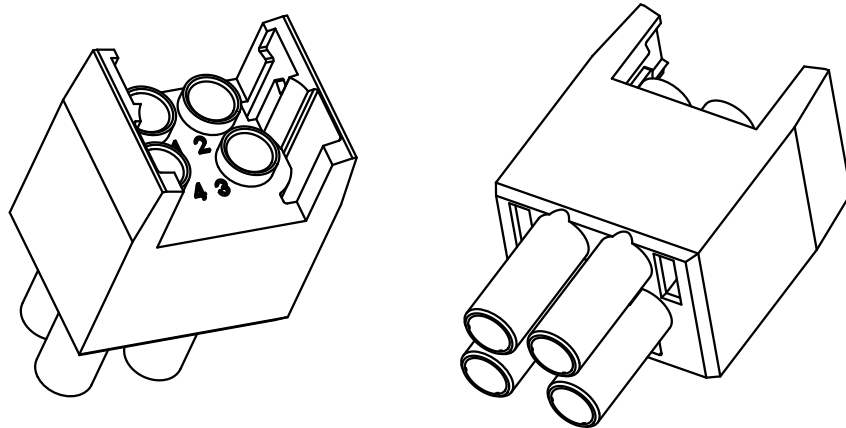
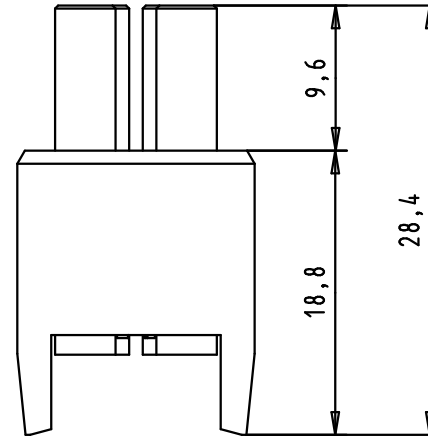
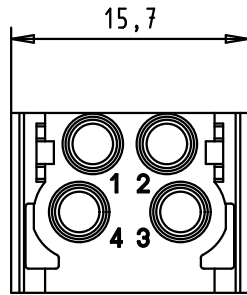
1

D

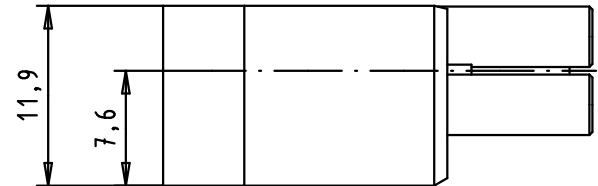
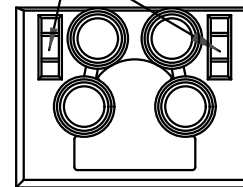
C

B

A



Slot for coding pin
0946 840 0000



Usable with HARTING PushPull (V4) receptacle housings (please order separately):

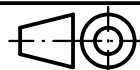
09455950031; 09455450021; 09455450029; 09455450031

Usable crimp contacts (please order separately)

-3x male crimp contacts 09 46 500 0403 0.75mm² (AWG 20-18)

-3x male crimp contacts 09 46 500 0401 1.5mm² (AWG 16-14)

-3x male crimp contacts 09 46 500 0405 2.5mm² (AWG 12)



All Dimensions in mm
Original Size DIN A 4

Techn. Character.

Nicht tolerierte Maße/Free size tolerances

			Dat.	Name	Maßstab/Scale
			29/02/12	SD	
			29/02/12	JB	

2 : 1

HARTING PushPull (V4)
48V/12A 4-poles
Device side insulation body
W/O crimp contacts

362920	29/02/12	SD
Mod.	Dat.	Name

HARTING EURL
F-95972 Paris



TB 09 46 500 4401

Sub.

Blatt/ page
1 / 1