

### FEATURES

- Bandwidth: 190 MHz**
- Low insertion loss and on resistance: 2.6 Ω typical**
- On resistance flatness: 0.3 Ω typical**
- Single 3 V/5 V supply operation**
- 3.3 V analog signal range (5 V supply, 75 Ω load)**
- Low quiescent supply current: 1 nA typical**
- Fast switching times: t<sub>ON</sub> 185 ns, t<sub>OFF</sub> 181 ns**
- I<sup>2</sup>C<sup>®</sup>-compatible interface**
- Compact, 24-lead, LFCSP package**
- Two I<sup>2</sup>C-controllable logic outputs**
- ESD protection**
  - 4 kV human body model**
  - 200 V machine model**
  - 1 kV field-induced charged device model**

### APPLICATIONS

- RGB/YPbPr video switches**
- HDTV**
- Projection TV**
- DVD-R/RW**
- AV receivers**

### GENERAL DESCRIPTION

The ADG792A/ADG792G are monolithic CMOS devices, each comprising three 4:1 multiplexer/demultiplexers that are controllable through a standard I<sup>2</sup>C serial interface. The CMOS process provides ultralow power dissipation yet delivers high switching speed and low on resistance.

The on resistance profile is very flat over the full analog input range, and wide bandwidth ensures excellent linearity and low distortion. These features, combined with a wide input signal range, make the ADG792A/ADG792G the ideal switching solution for a wide range of TV applications, including RGB and YPbPr video switches.

When turned on, the switches conduct equally well in both directions. In the off condition, signal levels, up to the supplies, are blocked. The ADG792A/ADG792G switches exhibit break-before-make switching action. The ADG792G also has two general-purpose logic output pins controllable through the I<sup>2</sup>C interface to control other non-I<sup>2</sup>C-compatible devices, such as video filters. The integrated I<sup>2</sup>C interface provides a large degree of flexibility in the system design. To build larger switching

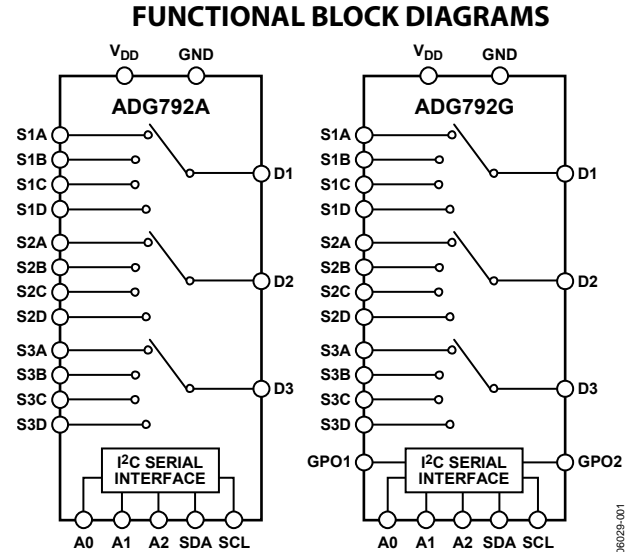


Figure 1.

arrays, the user can set the three I<sup>2</sup>C address pins allowing as many as eight devices to connect to the same bus.

The ADG792A/ADG792G operate from a single 3 V or 5 V supply voltage and is available in a compact 4 mm × 4 mm body, 24-lead, Pb-free, LFCSP package.

### PRODUCT HIGHLIGHTS

1. Wide bandwidth: 190 MHz.
2. Ultralow power dissipation.
3. Extended input signal range.
4. Integrated I<sup>2</sup>C serial interface.
5. Compact 4 mm × 4 mm, 24-lead, Pb-free LFCSP package.
6. ESD protection tested as per ESD Association Standards:
  - 4 kV HBM (ANSI/ESD STM5.1-2001)
  - 200 V MM (ANSI/ESD STM5.2-1999)
  - 1 kV FICDM (ANSI/ESD STM5.3.1-1999)

#### Rev. 0

Information furnished by Analog Devices is believed to be accurate and reliable. However, no responsibility is assumed by Analog Devices for its use, nor for any infringements of patents or other rights of third parties that may result from its use. Specifications subject to change without notice. No license is granted by implication or otherwise under any patent or patent rights of Analog Devices. Trademarks and registered trademarks are the property of their respective owners.

## TABLE OF CONTENTS

Features .....	1	Terminology .....	16
Applications.....	1	Theory of Operation .....	17
Functional Block Diagrams.....	1	I <sup>2</sup> C Serial Interface .....	17
General Description .....	1	I <sup>2</sup> C Address.....	17
Product Highlights .....	1	Write Operation.....	17
Revision History .....	2	LDSW Bit.....	19
Specifications.....	3	Power On/Software Reset.....	19
I <sup>2</sup> C Timing Specifications.....	7	Read Operation.....	19
Absolute Maximum Ratings.....	9	Evaluation Board .....	20
ESD Caution.....	9	Using the ADG792G Evaluation Board .....	20
Pin Configurations and Function Descriptions .....	10	Outline Dimensions .....	23
Typical Performance Characteristics .....	11	Ordering Guide .....	23
Test Circuits.....	14		

## REVISION HISTORY

7/06—Revision 0: Initial Version

## SPECIFICATIONS

$V_{DD} = 5\text{ V} \pm 10\%$ ,  $GND = 0\text{ V}$ ,  $T_A = -40^\circ\text{C}$  to  $+85^\circ\text{C}$ , unless otherwise noted.

**Table 1.**

Parameter	Conditions	Min	Typ <sup>1</sup>	Max	Unit
<b>ANALOG SWITCH</b>					
Analog Signal Range <sup>2</sup>	$V_S = V_{DD}$ , $R_L = 1\text{ M}\Omega$	0		4	V
	$V_S = V_{DD}$ , $R_L = 75\ \Omega$	0		3.3	V
On Resistance, $R_{ON}$	$V_D = 0\text{ V}$ , $I_{DS} = -10\text{ mA}$ , see Figure 22		2.6	3.5	$\Omega$
	$V_D = 0\text{ V}$ to $1\text{ V}$ , $I_{DS} = -10\text{ mA}$ , see Figure 22			4	$\Omega$
On Resistance Matching Between Channels, $\Delta R_{ON}$	$V_D = 0\text{ V}$ , $I_{DS} = -10\text{ mA}$		0.15	0.5	$\Omega$
	$V_D = 1\text{ V}$ , $I_{DS} = -10\text{ mA}$			0.6	$\Omega$
On Resistance Flatness, $R_{FLAT(ON)}$	$V_D = 0\text{ V}$ to $1\text{ V}$ , $I_{DS} = -10\text{ mA}$		0.3	0.55	$\Omega$
<b>LEAKAGE CURRENTS</b>					
Source Off Leakage ( $I_{S(OFF)}$ )	$V_D = 4\text{ V}/1\text{ V}$ , $V_S = 1\text{ V}/4\text{ V}$ , see Figure 23		$\pm 0.25$		nA
Drain Off Leakage ( $I_{D(OFF)}$ )	$V_D = 4\text{ V}/1\text{ V}$ , $V_S = 1\text{ V}/4\text{ V}$ , see Figure 23		$\pm 0.25$		nA
Channel On Leakage ( $I_{D(ON)}$ , $I_{S(ON)}$ )	$V_D = V_S = 4\text{ V}/1\text{ V}$ , see Figure 24		$\pm 0.25$		nA
<b>DYNAMIC CHARACTERISTICS<sup>3</sup></b>					
$t_{ON}$ , $t_{ENABLE}$	$C_L = 35\text{ pF}$ , $R_L = 50\ \Omega$ , $V_S = 2\text{ V}$ , see Figure 28		185	240	ns
$t_{OFF}$ , $t_{DISABLE}$	$C_L = 35\text{ pF}$ , $R_L = 50\ \Omega$ , $V_S = 2\text{ V}$ , see Figure 28		181	235	ns
Break-Before-Make Time Delay, $t_D$	$C_L = 35\text{ pF}$ , $R_L = 50\ \Omega$ , $V_{S1} = V_{S2} = 2\text{ V}$ , see Figure 29	1	3		ns
I <sup>2</sup> C to GPO Propagation Delay, $t_H$ , $t_L$	ADG792G only			130	ns
Off Isolation	$f = 10\text{ MHz}$ , $R_L = 50\ \Omega$ , see Figure 26		-60		dB
Channel-to-Channel Crosstalk	$f = 10\text{ MHz}$ , $R_L = 50\ \Omega$ , see Figure 27				
Same Multiplexer			-55		dB
Different Multiplexer			-75		dB
-3 dB Bandwidth	$R_L = 50\ \Omega$ , see Figure 25		190		MHz
THD + N	$R_L = 100\ \Omega$		0.14		%
Charge Injection	$C_L = 1\text{ nF}$ , $V_S = 0\text{ V}$ , see Figure 30		5		pC
$C_{S(OFF)}$			10		pF
$C_{D(OFF)}$			26		pF
$C_{D(ON)}$ , $C_{S(ON)}$			37		pF
Power Supply Rejection Ratio, PSRR	$f = 20\text{ kHz}$		70		dB
Differential Gain Error	CCIR330 test signal		0.58		%
Differential Phase Error	CCIR330 test signal		0.81		Degrees
<b>LOGIC INPUTS (A0, A1, A2)<sup>3</sup></b>					
Input High Voltage, $V_{INH}$		2.0			V
Input Low Voltage, $V_{INL}$				0.8	V
Input Current, $I_{INL}$ or $I_{INH}$	$V_{IN} = 0\text{ V}$ to $V_{DD}$		0.005	$\pm 1$	$\mu\text{A}$
Input Capacitance, $C_{IN}$			3		pF
<b>LOGIC INPUTS (SCL, SDA)<sup>3</sup></b>					
Input High Voltage, $V_{INH}$		$0.7 \times V_{DD}$		$V_{DD} + 0.3$	V
Input Low Voltage, $V_{INL}$		-0.3		$+0.3 \times V_{DD}$	V
Input Leakage Current, $I_{IN}$	$V_{IN} = 0\text{ V}$ to $V_{DD}$		+0.005	$\pm 1$	$\mu\text{A}$
Input Hysteresis			$0.05 \times V_{DD}$		V
Input Capacitance, $C_{IN}$			3		pF

# ADG792A/ADG792G

Parameter	Conditions	Min	Typ <sup>1</sup>	Max	Unit
<b>LOGIC OUTPUTS<sup>3</sup></b>					
SDA Pin					
Output Low Voltage, $V_{OL}$	$I_{SINK} = 3 \text{ mA}$			0.4	V
	$I_{SINK} = 6 \text{ mA}$			0.6	V
Floating State Leakage Current				$\pm 1$	$\mu\text{A}$
Floating State Output Capacitance				10	pF
GPO1 and GPO2 Pins					
Output Low Voltage, $V_{OL}$	$I_{LOAD} = +2 \text{ mA}$			0.4	V
Output High Voltage, $V_{OH}$	$I_{LOAD} = -2 \text{ mA}$	2.0			V
<b>POWER REQUIREMENTS</b>					
$I_{DD}$	Digital inputs = 0V or $V_{DD}$ , I <sup>2</sup> C interface inactive		0.001	1	$\mu\text{A}$
	I <sup>2</sup> C interface active, $f_{SCL} = 400 \text{ kHz}$			0.2	mA
	I <sup>2</sup> C interface active, $f_{SCL} = 3.4 \text{ MHz}$			0.7	mA

<sup>1</sup> All typical values are at  $T_A = +25^\circ\text{C}$ , unless otherwise stated.

<sup>2</sup> Guaranteed by initial characterization, not subject to production test.

<sup>3</sup> Guaranteed by design, not subject to production test.

$V_{DD} = 3\text{ V} \pm 10\%$ ,  $GND = 0\text{ V}$ ,  $T_A = -40^\circ\text{C}$  to  $+85^\circ\text{C}$ , unless otherwise noted.

**Table 2.**

Parameter	Conditions	Min	Typ <sup>1</sup>	Max	Units
<b>ANALOG SWITCH</b>					
Analog Signal Range <sup>2</sup>	$V_S = V_{DD}$ , $R_L = 1\text{ M}\Omega$	0		2.2	V
	$V_S = V_{DD}$ , $R_L = 75\ \Omega$	0		1.7	V
On Resistance, $R_{ON}$	$V_D = 0\text{ V}$ , $I_S = -10\text{ mA}$ , see Figure 22		3	4	$\Omega$
	$V_D = 0\text{ V}$ to $1\text{ V}$ , $I_S = -10\text{ mA}$ , see Figure 22			6	$\Omega$
On Resistance Matching Between Channels, $\Delta R_{ON}$	$V_D = 0\text{ V}$ , $I_S = -10\text{ mA}$		0.15	0.6	$\Omega$
	$V_D = 1\text{ V}$ , $I_S = -10\text{ mA}$			0.8	$\Omega$
On Resistance Flatness, $R_{FLAT(ON)}$	$V_D = 0\text{ V}$ to $1\text{ V}$ , $I_S = -10\text{ mA}$		0.8	2.8	$\Omega$
<b>LEAKAGE CURRENTS</b>					
Source Off Leakage ( $I_{S(OFF)}$ )	$V_D = 2\text{ V}/1\text{ V}$ , $V_S = 1\text{ V}/2\text{ V}$ , see Figure 23		$\pm 0.25$		nA
Drain Off Leakage ( $I_{D(OFF)}$ )	$V_D = 2\text{ V}/1\text{ V}$ , $V_S = 1\text{ V}/2\text{ V}$ , see Figure 23		$\pm 0.25$		nA
Channel On Leakage ( $I_{D(ON)}$ , $I_{S(ON)}$ )	$V_D = V_S = 2\text{ V}/1\text{ V}$ , see Figure 24		$\pm 0.25$		nA
<b>DYNAMIC CHARACTERISTICS<sup>3</sup></b>					
$t_{ON}$ , $t_{ENABLE}$	$C_L = 35\text{ pF}$ , $R_L = 50\ \Omega$ , $V_S = 2\text{ V}$ , see Figure 28		200	260	ns
$t_{OFF}$ , $t_{DISABLE}$	$C_L = 35\text{ pF}$ , $R_L = 50\ \Omega$ , $V_S = 2\text{ V}$ , see Figure 28		197	255	ns
Break-Before-Make Time Delay, $t_D$	$C_L = 35\text{ pF}$ , $R_L = 50\ \Omega$ , $V_{S1} = V_{S2} = 2\text{ V}$ , see Figure 29	1	3		ns
I <sup>2</sup> C to GPO propagation delay, $t_H$ , $t_L$	ADG792G only			121	ns
Off Isolation	$f = 10\text{ MHz}$ , $R_L = 50\ \Omega$ , see Figure 26		-60		dB
Channel-to-Channel Crosstalk	$f = 10\text{ MHz}$ , $R_L = 50\ \Omega$ , see Figure 27				
Same Multiplexer			-55		dB
Different Multiplexer			-75		dB
-3 dB Bandwidth	$R_L = 50\ \Omega$ , see Figure 25		180		MHz
THD + N	$R_L = 100\ \Omega$		0.14		%
Charge Injection	$C_L = 1\text{ nF}$ , $V_S = 0\text{ V}$ , see Figure 30		3.5		pC
$C_{S(OFF)}$			10		pF
$C_{D(OFF)}$			26		pF
$C_{D(ON)}$ , $C_{S(ON)}$			37		pF
Power Supply Rejection Ratio, PSRR	$f = 20\text{ kHz}$		70		dB
Differential Gain Error	CCIR330 test signal		0.49		%
Differential Phase Error	CCIR330 test signal		0.56		Degrees
<b>LOGIC INPUTS (A0, A1, A2)<sup>3</sup></b>					
Input High Voltage, $V_{INH}$		2.0			V
Input Low Voltage, $V_{INL}$				0.8	V
Input Current, $I_{INL}$ or $I_{INH}$	$V_{IN} = 0\text{ V}$ to $V_{DD}$		+0.005	$\pm 1$	$\mu\text{A}$
Input Capacitance, $C_{IN}$			3		pF
<b>LOGIC INPUTS (SCL, SDA)<sup>3</sup></b>					
Input High Voltage, $V_{INH}$		$0.7 \times V_{DD}$		$V_{DD} + 0.3$	V
Input Low Voltage, $V_{INL}$		-0.3		$+0.3 \times V_{DD}$	V
Input Leakage Current, $I_{IN}$	$V_{IN} = 0\text{ V}$ to $V_{DD}$		+0.005	$\pm 1$	$\mu\text{A}$
Input Hysteresis			$0.05 \times V_{DD}$		V
Input Capacitance, $C_{IN}$			3		pF
<b>LOGIC OUTPUTS<sup>3</sup></b>					
SDA Pin					
Output Low Voltage, $V_{OL}$	$I_{SINK} = 3\text{ mA}$			0.4	V
	$I_{SINK} = 6\text{ mA}$			0.6	V
Floating State leakage Current				$\pm 1$	$\mu\text{A}$
Floating State Output Capacitance			3		pF

# ADG792A/ADG792G

Parameter	Conditions	Min	Typ <sup>1</sup>	Max	Units
GPO1 and GPO2 Pins					
Output Low Voltage, $V_{OL}$	$I_{LOAD} = +2 \text{ mA}$			0.4	V
Output High Voltage, $V_{OH}$	$I_{LOAD} = -2 \text{ mA}$	2.0			V
<b>POWER REQUIREMENTS</b>					
$I_{DD}$	Digital inputs = 0 V or $V_{DD}$ , I <sup>2</sup> C interface inactive		0.001	1	$\mu\text{A}$
	I <sup>2</sup> C interface active, $f_{SCL} = 400 \text{ kHz}$			0.1	mA
	I <sup>2</sup> C interface active, $f_{SCL} = 3.4 \text{ MHz}$			0.2	mA

<sup>1</sup>All typical values are at  $T_A = +25^\circ\text{C}$ , unless otherwise stated.

<sup>2</sup> Guaranteed by initial characterization, not subject to production test.

<sup>3</sup> Guaranteed by design, not subject to production test.

**I<sup>2</sup>C TIMING SPECIFICATIONS**

$V_{DD} = 2.7\text{ V to }5.5\text{ V}$ ;  $GND = 0\text{ V}$ ;  $T_A = -40^\circ\text{C to }+85^\circ\text{C}$ , unless otherwise noted. See Figure 2 for timing diagram.

**Table 3.**

Parameter <sup>1</sup>	Conditions	Min	Max	Unit	Description
$f_{SCL}$	Standard mode		100	kHz	Serial clock frequency
	Fast mode		400	kHz	
	High speed mode		3.4	MHz	
	$C_B = 100\text{ pF max}$ $C_B = 400\text{ pF max}$		1.7	MHz	
$t_1$	Standard mode	4		$\mu\text{s}$	$t_{HIGH}$ , SCL high time
	Fast mode	0.6		$\mu\text{s}$	
	High speed mode	60		ns	
	$C_B = 100\text{ pF max}$ $C_B = 400\text{ pF max}$	120		ns	
$t_2$	Standard mode	4.7		$\mu\text{s}$	$t_{LOW}$ , SCL low time
	Fast mode	1.3		$\mu\text{s}$	
	High speed mode	160		ns	
	$C_B = 100\text{ pF max}$ $C_B = 400\text{ pF max}$	320		ns	
$t_3$	Standard mode	250		ns	$t_{SU,DAT}$ , data setup time
	Fast mode	100		ns	
	High speed mode	10		ns	
$t_4^2$	Standard mode	0	3.45	$\mu\text{s}$	$t_{HD,DAT}$ , data hold time
	Fast mode	0	0.9	$\mu\text{s}$	
	High speed mode	0	703	ns	
	$C_B = 100\text{ pF max}$ $C_B = 400\text{ pF max}$	0	150	ns	
$t_5$	Standard mode	4.7		$\mu\text{s}$	$t_{SU,STA}$ , setup time for a repeated start condition
	Fast mode	0.6		$\mu\text{s}$	
	High speed mode	160		ns	
$t_6$	Standard mode	4		$\mu\text{s}$	$t_{HD,STA}$ , hold time (repeated) start condition
	Fast mode	0.6		$\mu\text{s}$	
	High speed mode	160		ns	
$t_7$	Standard mode	4.7		$\mu\text{s}$	$t_{BUF}$ , bus free time between a stop and a start condition
	Fast mode	1.3		$\mu\text{s}$	
$t_8$	Standard mode	4		$\mu\text{s}$	$t_{SU,STO}$ , setup time for stop condition
	Fast mode	0.6		$\mu\text{s}$	
	High speed mode	160		ns	
$t_9$	Standard mode		1000	ns	$t_{RDA}$ , rise time of SDA signal
	Fast mode	$20 + 0.1 C_B$	300	ns	
	High speed mode		80	ns	
	$C_B = 100\text{ pF max}$ $C_B = 400\text{ pF max}$	10 20	160	ns	
$t_{10}$	Standard mode		300	ns	$t_{FDA}$ , fall time of SDA signal
	Fast mode	$20 + 0.1 C_B$	300	ns	
	High speed mode		80	ns	
	$C_B = 100\text{ pF max}$ $C_B = 400\text{ pF max}$	10 20	160	ns	
$t_{11}$	Standard mode		1000	ns	$t_{RCL}$ , rise time of SCL signal
	Fast mode	$20 + 0.1 C_B$	300	ns	
	High speed mode		40	ns	
	$C_B = 100\text{ pF max}$ $C_B = 400\text{ pF max}$	10 20	80	ns	

# ADG792A/ADG792G

Parameter <sup>1</sup>	Conditions	Min	Max	Unit	Description
t <sub>11A</sub>	Standard mode		1000	ns	t <sub>RCL1</sub> , rise time of SCL signal after a repeated start condition and after an acknowledge bit
	Fast mode	20 + 0.1 C <sub>B</sub>	300	ns	
	High speed mode				
	C <sub>B</sub> = 100 pF max	10	80	ns	
t <sub>12</sub>	Standard mode		300	ns	t <sub>FCL</sub> , fall time of SCL signal
	Fast mode	20 + 0.1 C <sub>B</sub>	300	ns	
	High speed mode				
	C <sub>B</sub> = 100 pF max	10	40	ns	
t <sub>SP</sub>	Fast mode	0	50	ns	Pulse width of suppressed spike
	High speed mode	0	10	ns	

<sup>1</sup> Guaranteed by initial characterization. C<sub>B</sub> refers to capacitive load on the bus line, t<sub>r</sub> and t<sub>f</sub> measured between 0.3 V<sub>DD</sub> and 0.7 V<sub>DD</sub>.

<sup>2</sup> A device must provide a data hold time for SDA in order to bridge the undefined region of the SCL falling edge.

## Timing Diagram

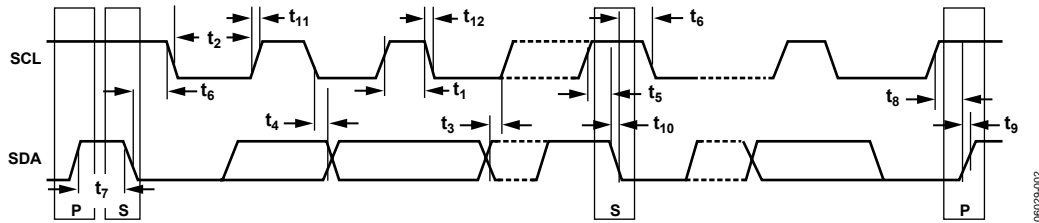


Figure 2. Timing Diagram for 2-Wire Serial Interface

06029-002



## ABSOLUTE MAXIMUM RATINGS

$T_A = 25^\circ\text{C}$ , unless otherwise noted.

**Table 4.**

Parameter	Rating
$V_{DD}$ to GND	-0.3 V to +6 V
Analog, Digital Inputs	-0.3 V to $V_{DD} + 0.3$ V or 30 mA, whichever occurs first
Continuous Current, S or D Pins	100 mA
Peak Current, S or D Pins	300 mA (pulsed at 1 ms, 10% duty cycle max)
Operating Temperature Range Industrial (B Version)	$-40^\circ\text{C}$ to $+85^\circ\text{C}$
Storage Temperature Range	$-65^\circ\text{C}$ to $+150^\circ\text{C}$
Junction Temperature	$150^\circ\text{C}$
$\theta_{JA}$ Thermal Impedance	
24-Lead LFCSP	$30^\circ\text{C}/\text{W}$
Lead Temperature, Soldering (10 sec)	$300^\circ\text{C}$
IR Reflow, Peak Temperature (<20 sec)	$260^\circ\text{C}$

Stresses above those listed under Absolute Maximum Ratings may cause permanent damage to the device. This is a stress rating only; functional operation of the device at these or any other conditions above those indicated in the operational section of this specification is not implied. Exposure to absolute maximum rating conditions for extended periods may affect device reliability.

Only one absolute maximum rating can be applied at any one time.

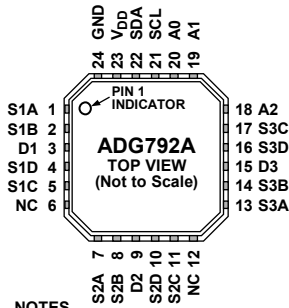
### ESD CAUTION

ESD (electrostatic discharge) sensitive device. Electrostatic charges as high as 4000 V readily accumulate on the human body and test equipment and can discharge without detection. Although this product features proprietary ESD protection circuitry, permanent damage may occur on devices subjected to high energy electrostatic discharges. Therefore, proper ESD precautions are recommended to avoid performance degradation or loss of functionality.



# ADG792A/ADG792G

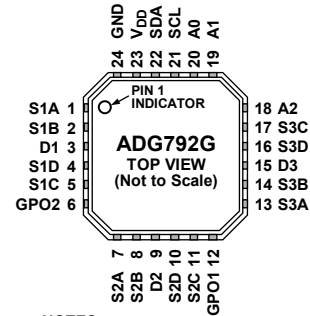
## PIN CONFIGURATIONS AND FUNCTION DESCRIPTIONS



NOTES  
 1. NC = NO CONNECT.  
 2. THE EXPOSED PAD MUST BE TIED TO GND.

06029-012

Figure 3. ADG792A Pin Configuration



NOTES  
 1. THE EXPOSED PAD MUST BE TIED TO GND.

06029-061

Figure 4. ADG792G Pin Configuration

Table 5. Pin Function Descriptions

Pin No.	Mnemonic	Function
	ADG792A/ADG792G	
1	S1A	A Side Source Terminal for Mux 1. Can be an input or output.
2	S1B	B Side Source Terminal for Mux 1. Can be an input or output.
3	D1	Drain Terminal for Mux 1. Can be an input or output.
4	S1D	D Side Source Terminal for Mux 1. Can be an input or output.
5	S1C	C Side Source Terminal for Mux 1. Can be an input or output.
6	NC/GPO2	Not internally connected for ADG792A/General-Purpose Logic Output 2 for ADG792G.
7	S2A	A Side Source Terminal for Mux 2. Can be an input or output.
8	S2B	B Side Source Terminal for Mux 2. Can be an input or output.
9	D2	Drain Terminal for Mux 2. Can be an input or output.
10	S2D	D Side Source Terminal for Mux 2. Can be an input or output.
11	S2C	C Side Source Terminal for Mux 2. Can be an input or output.
12	NC/GPO1	Not internally connected for ADG792A/General-Purpose Logic Output 1 for ADG792G.
13	S3A	A Side Source Terminal for Mux 3. Can be an input or output.
14	S3B	B Side Source Terminal for Mux 3. Can be an input or output.
15	D3	Drain Terminal for Mux 3. Can be an input or output.
16	S3D	D Side Source Terminal for Mux 3. Can be an input or output.
17	S3C	C Side Source Terminal for Mux 3. Can be an input or output.
18	A2	Logic Input. Sets Bit A2 from the least significant bits of the 7-bit slave address.
19	A1	Logic Input. Sets Bit A1 from the least significant bits of the 7-bit slave address.
20	A0	Logic Input. Sets Bit A0 from the least significant bits of the 7-bit slave address.
21	SCL	Digital Input, Serial Clock Line. Open-drain input that is used in conjunction with SDA to clock data into the device. External pull-up resistor required.
22	SDA	Digital Input/Output. Bidirectional open-drain data line. External pull-up resistor required.
23	V <sub>DD</sub>	Positive Power Supply Input.
24	GND	Ground (0 V) Reference.

# TYPICAL PERFORMANCE CHARACTERISTICS

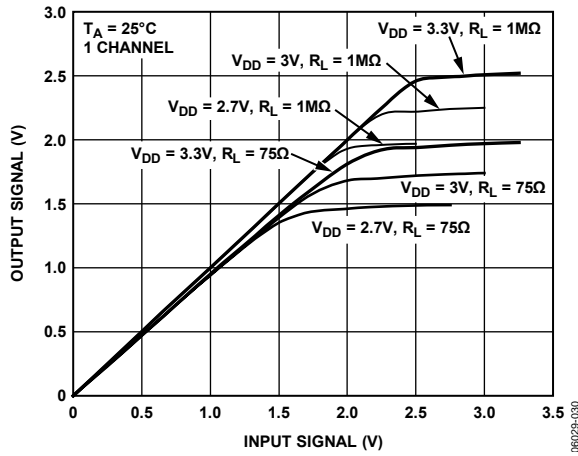


Figure 5. Analog Signal Range (3 V Supply)

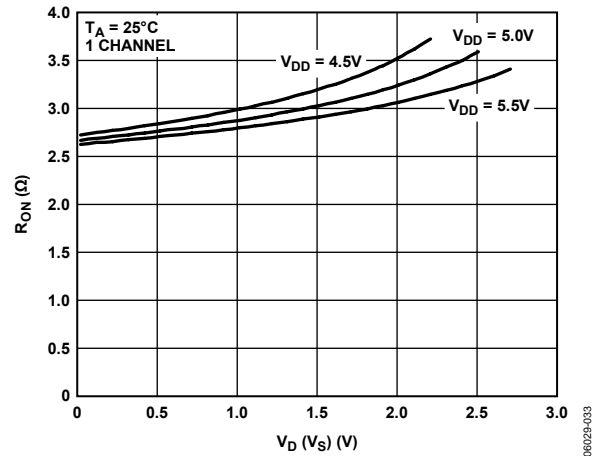


Figure 8. On Resistance vs.  $V_D$  ( $V_S$ ) with 5 V Supply

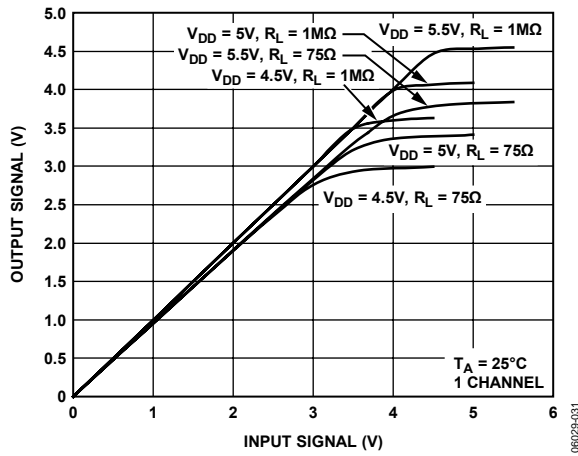


Figure 6. Analog Signal Range (5 V Supply)

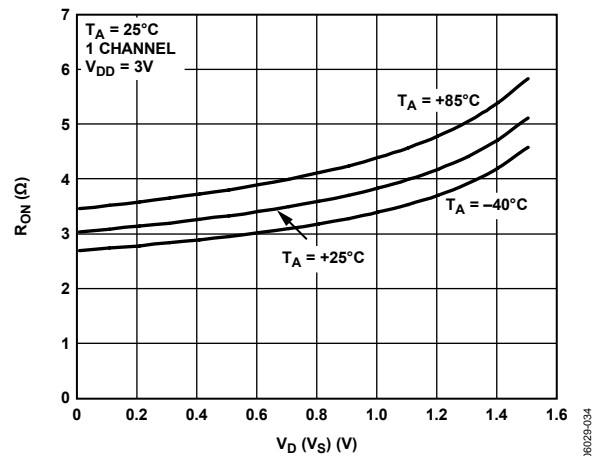


Figure 9. On Resistance vs.  $V_D$  ( $V_S$ ) for Various Temperatures with 3 V Supply

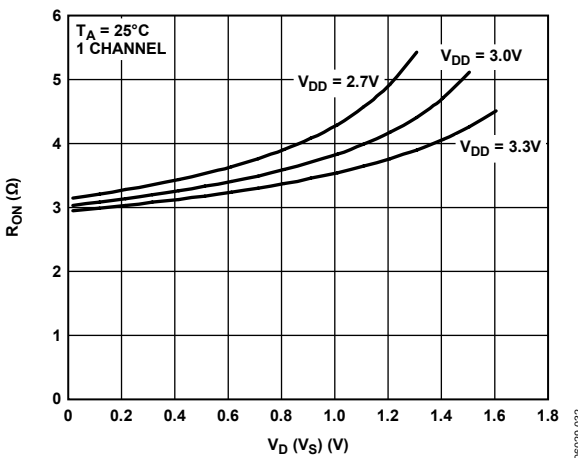


Figure 7. On Resistance vs.  $V_D$  ( $V_S$ ) with 3 V Supply

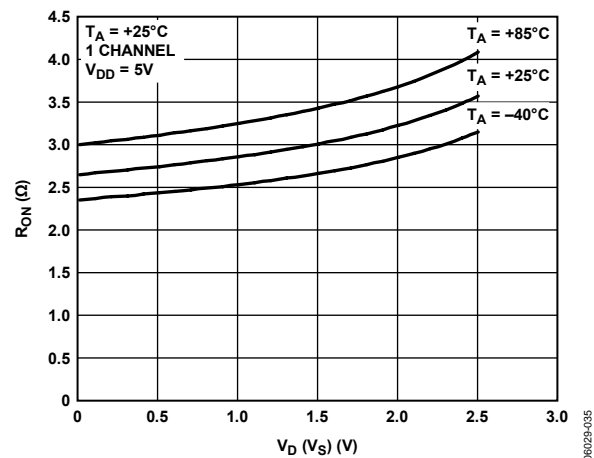


Figure 10. On Resistance vs.  $V_D$  ( $V_S$ ) for Various Temperatures with 5 V Supply

# ADG792A/ADG792G

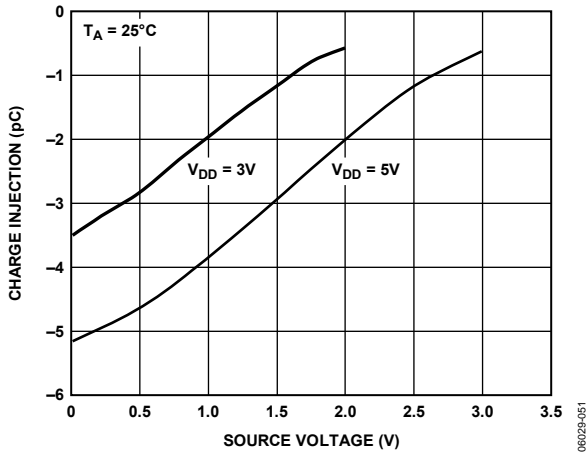


Figure 11. Charge Injection vs. Source Voltage

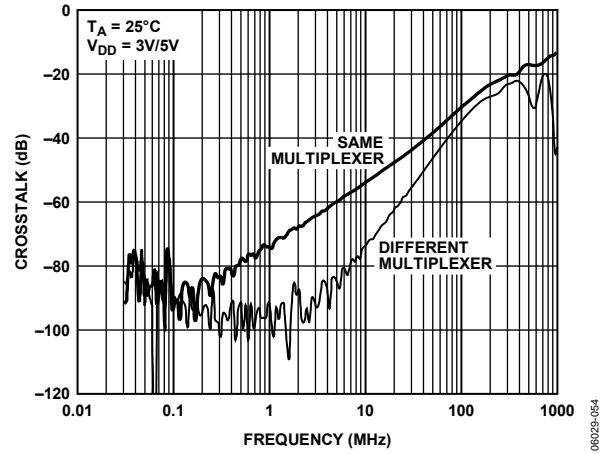


Figure 14. Crosstalk vs. Frequency

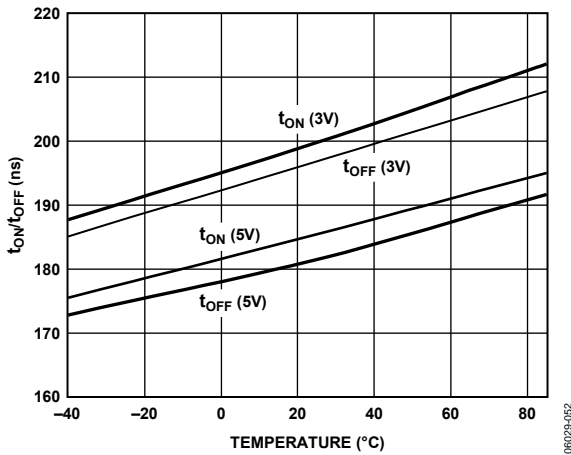


Figure 12.  $t_{ON}/t_{OFF}$  vs. Temperature

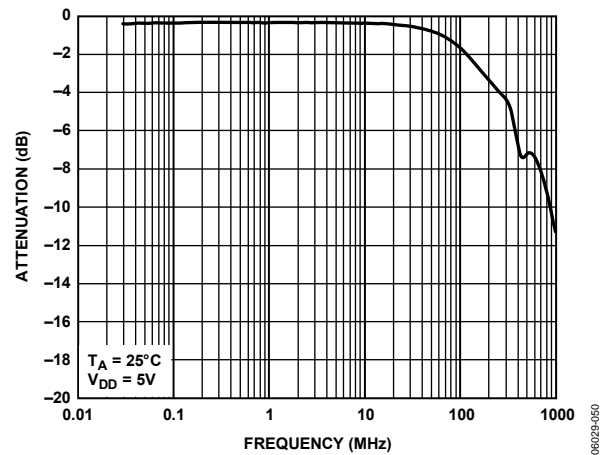


Figure 15. Bandwidth

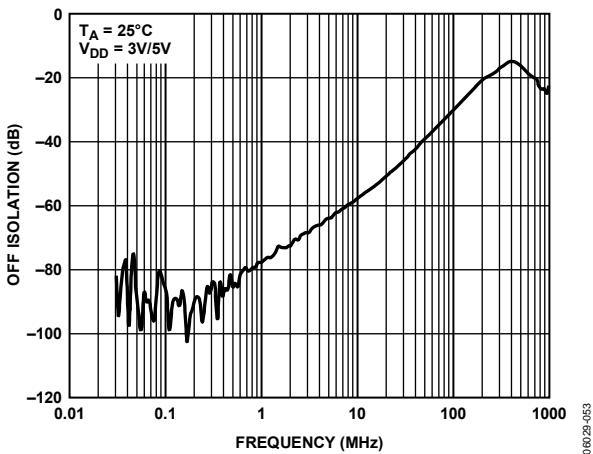


Figure 13. Off Isolation vs. Frequency

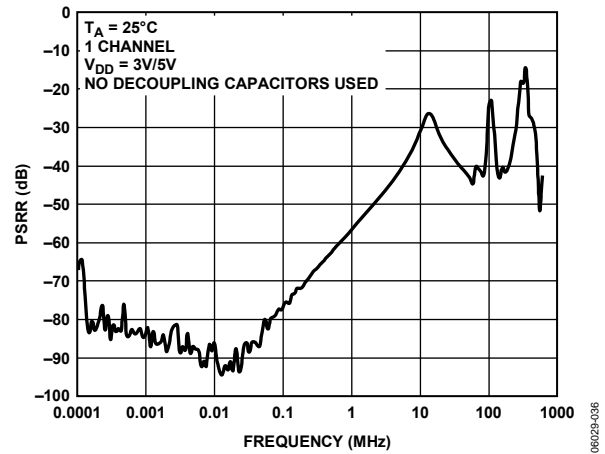


Figure 16. PSRR vs. Frequency

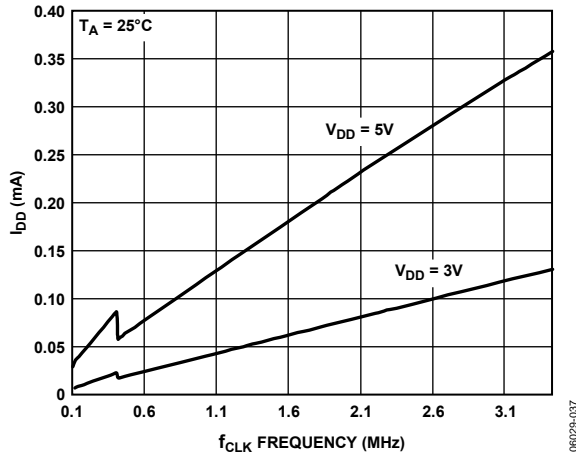


Figure 17.  $I_{DD}$  vs.  $f_{CLK}$  Frequency

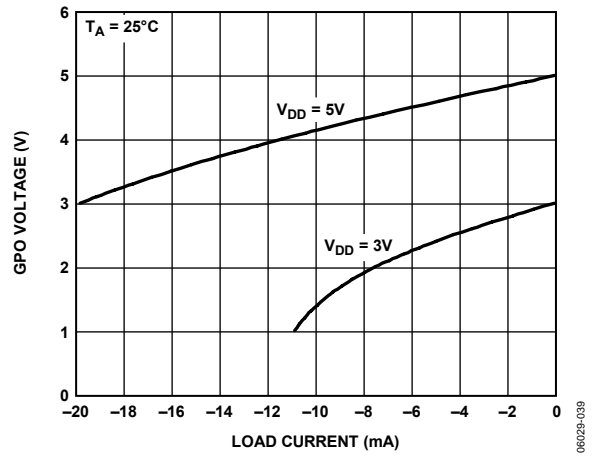


Figure 20. GPO  $V_{OH}$  vs. Load Current

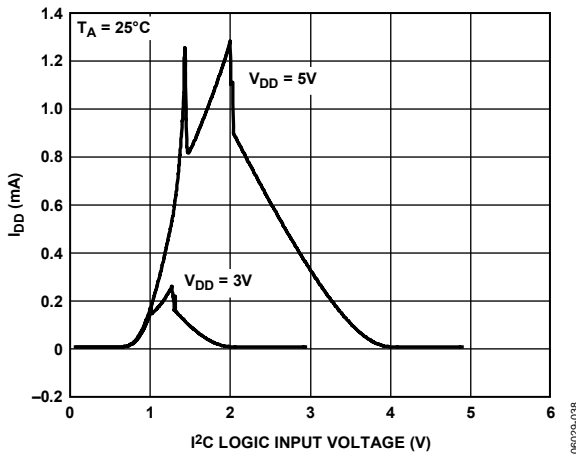


Figure 18.  $I_{DD}$  vs.  $I^2C$  Logic Input Voltage (SDA, SCL)

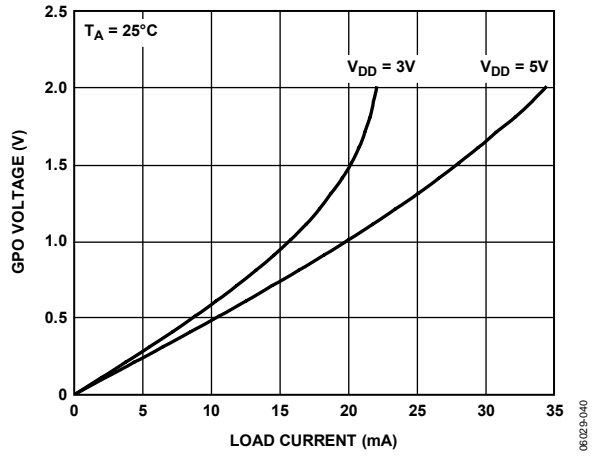


Figure 21. GPO  $V_{OL}$  vs. Load Current

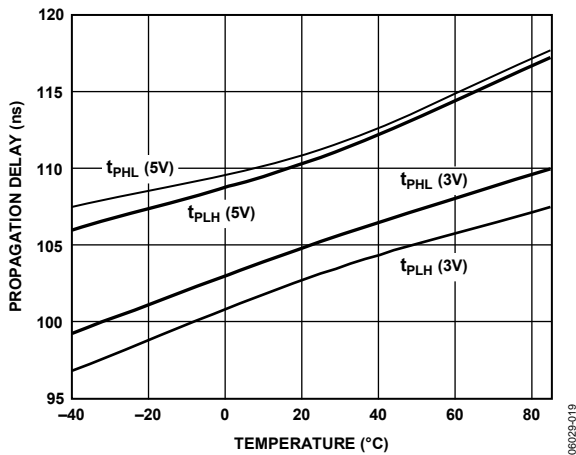


Figure 19.  $I^2C$  to GPO Propagation Delay vs. Temperature

## TEST CIRCUITS

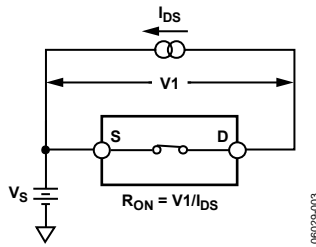


Figure 22. On Resistance

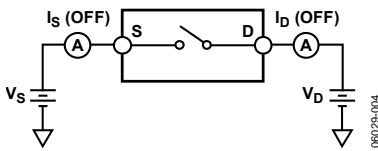


Figure 23. Off Leakage

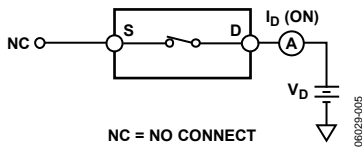


Figure 24. On Leakage

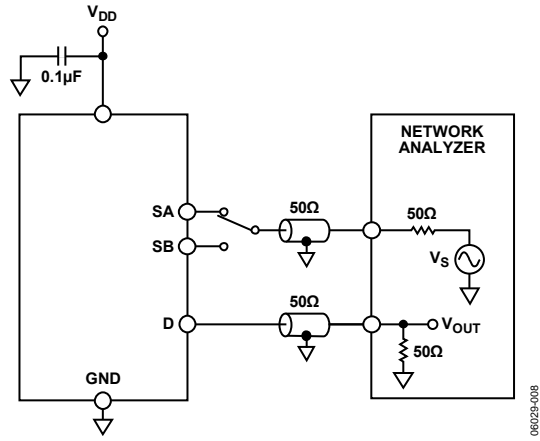


Figure 25. Bandwidth

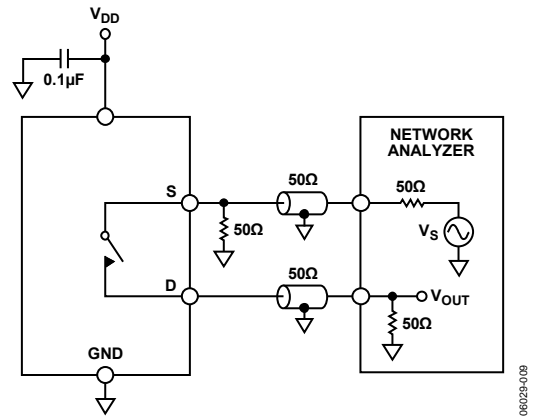


Figure 26. Off Isolation

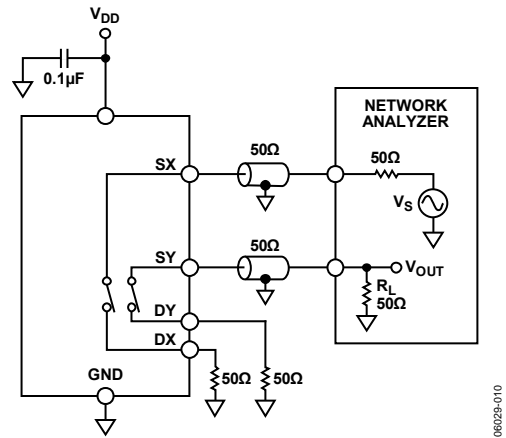


Figure 27. Channel-to-Channel Crosstalk

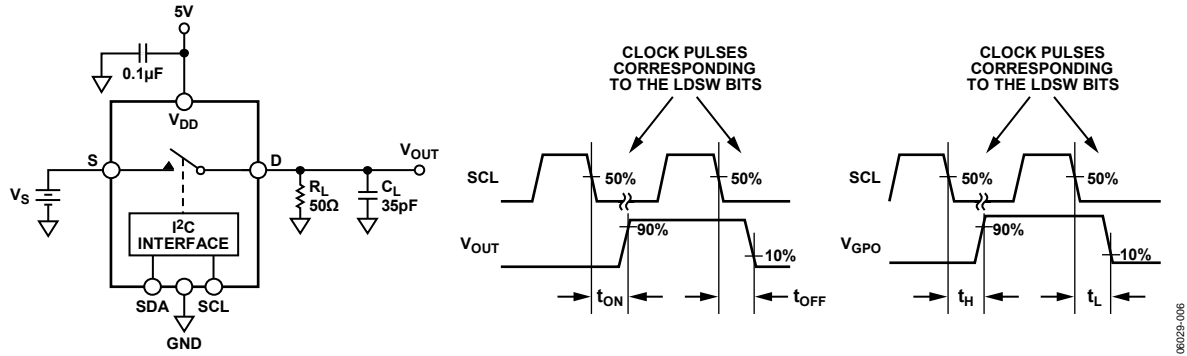


Figure 28. Switching Times

061029-006

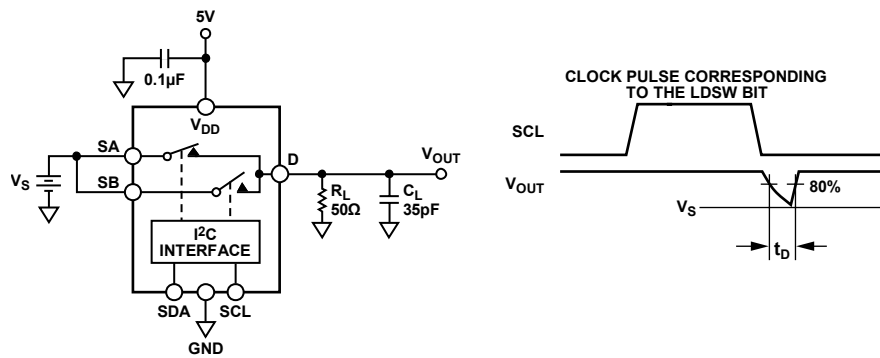


Figure 29. Break-Before-Make Time Delay

061029-007

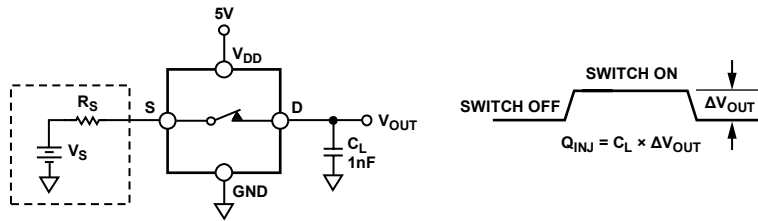


Figure 30. Charge Injection

061029-011

## TERMINOLOGY

### On Resistance ( $R_{ON}$ )

The series on-channel resistance measured between the S and D pins.

### On Resistance Match ( $\Delta R_{ON}$ )

The channel-to-channel matching of on resistance when channels are operated under identical conditions.

### On Resistance Flatness ( $R_{FLAT(ON)}$ )

The variation of on resistance over the specified range produced by the specified analog input voltage change with a constant load current.

### Channel Off Leakage ( $I_{OFF}$ )

The sum of leakage currents into or out of an off channel input.

### Channel On Leakage ( $I_{ON}$ )

The current loss/gain through an on-channel resistance, creating a voltage offset across the device.

### Input Leakage Current ( $I_{IN}$ , $I_{INL}$ , $I_{INH}$ )

The current flowing into a digital input when a specified low level or high level voltage is applied to that input.

### Input/Output Off Capacitance ( $C_{OFF}$ )

The capacitance between an analog input and ground when the switch channel is off.

### Input/Output On Capacitance ( $C_{ON}$ )

The capacitance between the inputs or outputs and ground when the switch channel is on.

### Digital Input Capacitance ( $C_{IN}$ )

The capacitance between a digital input and ground.

### Output On Switching Time ( $t_{ON}$ )

The time required for the switch channel to close. The time is measured from 50% of the falling edge of the LDSW bit to the time the output reaches 90% of the final value.

### Output Off Switching Time ( $t_{OFF}$ )

The time required for the switch to open. The time is measured from 50% of the falling edge of the LDSW bit to the time the output reaches 10% of the final value.

### I<sup>2</sup>C to GPO Propagation Delay ( $t_H$ , $t_L$ )

The time required for the logic value at the GPO pin to settle after loading a GPO command. The time is measured from 50% of the falling edge of the LDSW bit to the time the output reaches 90% of the final value for high and 10% for low.

### Total Harmonic Distortion + Noise (THD + N)

The ratio of the harmonic amplitudes plus noise of a signal to the fundamental.

### -3 dB Bandwidth

The frequency at which the output is attenuated by 3 dB.

### Off Isolation

The measure of unwanted signal coupling through an off switch.

### Crosstalk

The measure of an unwanted signal that is coupled through from one channel to another as a result of parasitic capacitance.

### Charge Injection

The measure of the glitch impulse transferred from the digital input to the analog output during on/off switching.

### Differential Gain Error

The measure of how much color saturation shift occurs when the luminance level changes. Both attenuation and amplification can occur; therefore, the largest amplitude change between any two levels is specified and expressed in %.

### Differential Phase Error

The measure of how much hue shift occurs when the luminance level changes. It can be a negative or positive value and is expressed in degrees of subcarrier phase.

### Input High Voltage ( $V_{INH}$ )

The minimum input voltage for Logic 1.

### Input Low Voltage ( $V_{INL}$ )

The maximum input voltage for Logic 0.

### Output High Voltage ( $V_{OH}$ )

The minimum output voltage for Logic 1.

### Output Low Voltage ( $V_{OL}$ )

The maximum output voltage for Logic 0.

### $I_{DD}$

Positive supply current.



## THEORY OF OPERATION

The ADG792A/ADG792G are monolithic CMOS devices, each comprising three 4:1 multiplexer/demultiplexers controllable via a standard I<sup>2</sup>C serial interface. The CMOS process provides ultralow power dissipation yet it delivers high switching speed and low on resistance.

The on resistance profile is very flat over the full analog input range and the wide bandwidth ensures excellent linearity and low distortion. These features, combined with a wide input signal range, make the ADG792A/ADG792G the ideal switching solution for a wide range of TV applications.

The switches conduct equally well in both directions when on. In the off condition, signal levels up to the supplies are blocked. The integrated serial I<sup>2</sup>C interface controls the operation of the multiplexers and general-purpose logic pins.

The ADG792A/ADG792G have many attractive features, such as the ability to individually control each multiplexer, the option of reading back the status of any switch, and two general-purpose logic output pins controllable through the I<sup>2</sup>C interface (available with the ADG792G only). The following sections describe these features in more detail.

### I<sup>2</sup>C SERIAL INTERFACE

The ADG792A/ADG792G are controlled via an I<sup>2</sup>C-compatible serial bus interface (refer to the *I<sup>2</sup>C-Bus Specification* available from Philips Semiconductor) that allows the part to operate as a slave device (no clock is generated by either the ADG792A or the ADG792G). The communication protocol between the I<sup>2</sup>C master and the device operates as follows:

1. The master initiates data transfer by establishing a start condition defined as a high to low transition on the SDA line while SCL is high. This indicates that an address/data stream follows. All slave devices connected to the bus respond to the start condition and shift in the next eight bits, consisting of a seven bit address (MSB first) plus an R/ $\overline{W}$  bit. This bit determines the direction of the data flow during the communication between the master and the addressed slave device.
2. The slave device whose address corresponds to the transmitted address responds by pulling the SDA line low during the ninth clock pulse (this is termed the acknowledge bit).  
  
At this stage, all other devices on the bus remain idle while the selected device waits for data to be written to, or read from, its serial register. If the R/ $\overline{W}$  bit is set high, the master reads from the slave device. However, if the R/ $\overline{W}$  bit is set low, the master writes to the slave device.
3. Data transmits over the serial bus in sequences of nine clock pulses (eight data bits followed by an acknowledge bit).

The transitions on the SDA line must occur during the low period of the clock signal, SCL, and remain stable during the high period of SCL, because a low-to-high transition when the clock signal is high can be interpreted as a stop event which ends the communication between the master and the addressed slave device.

4. After transferring all data bytes, the master establishes a stop condition, defined as a low to high transition on the SDA line while SCL is high. In write mode, the master pulls the SDA line high during the tenth clock pulse to establish a stop condition. In read mode, the master issues a no acknowledge for the ninth clock pulse (the SDA line remains high). The master then brings the SDA line low before the tenth clock pulse, and then high during the tenth clock pulse to establish a stop condition.

### I<sup>2</sup>C ADDRESS

The ADG792A/ADG792G has a seven-bit I<sup>2</sup>C address. The four most significant bits are internally hardwired and the last three bits (A0, A1, and A2) are user-adjustable. This allows the user to connect up to eight ADG792A/ADG792Gs to the same bus. The I<sup>2</sup>C bit map shows the configuration of the seven-bit address.

#### Seven-Bit I<sup>2</sup>C Address Bit Configuration

MSB				LSB		
1	0	1	0	A2	A1	A0

### WRITE OPERATION

When writing to the ADG792A/ADG792G, the user must begin with an address byte and R/ $\overline{W}$  bit, after which time the switch acknowledges that it is prepared to receive data by pulling SDA low. Data is loaded into the device as a 16-bit word under the control of a serial clock input, SCL. Figure 31 illustrates the entire write sequence for the ADG792A/ADG792G. The first data byte (AX7 to AX0) controls the status of the switches and the LDSW and RESETB bits from the second byte control the operation mode of the device. Table 6 shows a list of all commands supported by the ADG792A/ADG792G with the corresponding byte that needs to be loaded during a write operation.

To achieve the desired configuration, one or more commands can be loaded into the device. Any combination of the commands listed in Table 6 can be used with the following restrictions:

- Only one switch from a given multiplexer can be on at any given time.
- When a sequence of successive commands affect the same element (that is, the switch or GPO pin), only the last command is executed.

# ADG792A/ADG792G

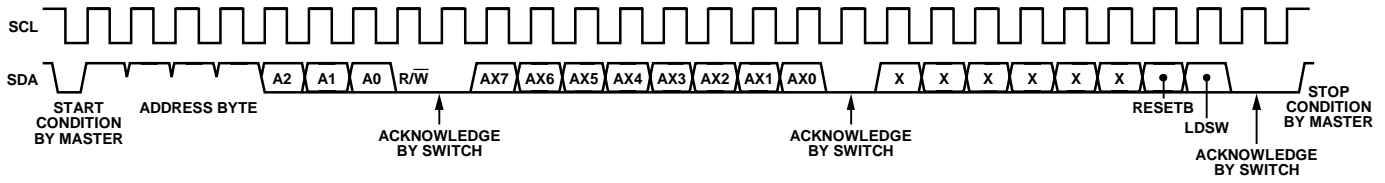


Figure 31. Write Operation

Table 6. ADG792A/ADG792G Command List

AX7	AX6	AX5	AX4	AX3	AX2	AX1	AX0	Addressed Switch/GPO Pin
0	1	0	0	0	0	0	0	S1A/D1, S2A/D2, S3A/D3 off
1	1	0	0	0	0	0	0	S1A/D1, S2A/D2, S3A/D3 on
0	1	0	0	0	0	0	1	S1B/D1, S2B/D2, S3B/D3 off
1	1	0	0	0	0	0	1	S1B/D1, S2B/D2, S3B/D3 on
0	1	0	0	0	0	1	0	S1C/D1, S2C/D2, S3C/D3 off
1	1	0	0	0	0	1	0	S1C/D1, S2C/D2, S3C/D3 on
0	1	0	0	0	0	1	1	S1D/D1, S2D/D2, S3D/D3 off
1	1	0	0	0	0	1	1	S1D/D1, S2D/D2, S3D/D3 on
0	1	0	0	0	1	0	0	S1A/D1 off
1	1	0	0	0	1	0	0	S1A/D1 on
0	1	0	0	0	1	0	1	S1B/D1 off
1	1	0	0	0	1	0	1	S1B/D1 on
0	1	0	0	0	1	1	0	S1C/D1 off
1	1	0	0	0	1	1	0	S1C/D1 on
0	1	0	0	0	1	1	1	S1D/D1 off
1	1	0	0	0	1	1	1	S1D/D1 on
0	1	0	0	1	0	0	0	S2A/D2 off
1	1	0	0	1	0	0	0	S2A/D2 on
0	1	0	0	1	0	0	1	S2B/D2 off
1	1	0	0	1	0	0	1	S2B/D2 on
0	1	0	0	1	0	1	0	S2C/D2 off
1	1	0	0	1	0	1	0	S2C/D2 on
0	1	0	0	1	0	1	1	S2D/D2 off
1	1	0	0	1	0	1	1	S2D/D2 on
0	1	0	0	1	1	0	0	S3A/D3 off
1	1	0	0	1	1	0	0	S3A/D3 on
0	1	0	0	1	1	0	1	S3B/D3 off
1	1	0	0	1	1	0	1	S3B/D3 on
0	1	0	0	1	1	1	0	S3C/D3 off
1	1	0	0	1	1	1	0	S3C/D3 on
0	1	0	0	1	1	1	1	S3D/D3 off
1	1	0	0	1	1	1	1	S3D/D3 on
X <sup>1</sup>	1	0	1	0	0	0	0	Mux1 disabled (all switches connected to D1 are off)
X <sup>1</sup>	1	0	1	0	0	0	1	Mux2 disabled (all switches connected to D2 are off)
X <sup>1</sup>	1	0	1	0	0	1	0	Mux3 disabled (all switches connected to D3 are off)
0	1	0	1	0	0	1	1	Reserved for ADG792A/ GPO1 low for ADG792G
1	1	0	1	0	0	1	1	Reserved for ADG792A/ GPO1 high for ADG792G
0	1	0	1	0	1	0	0	Reserved for ADG792A/ GPO2 low for ADG792G
1	1	0	1	0	1	0	0	Reserved for ADG792A/ GPO2 high for ADG792G
0	1	0	1	0	1	0	1	Reserved for ADG792A/ GPO1, GPO2 low for ADG792G
1	1	0	1	0	1	0	1	Reserved for ADG792A/GPO1, GPO2 high for ADG792G
0	1	0	1	1	1	1	1	All muxes disabled (all switches are off)
1	1	0	1	1	1	1	1	Reserved

<sup>1</sup> X = logic state does not matter.

## LDSW BIT

The LDSW bit allows the user to control the way the device executes the commands loaded during the write operations. The ADG792A/ADG792G execute all the commands loaded between two successive write operations that have set the LDSW bit high.

Setting the LDSW high for every write cycle ensures that the device executes the command immediately after the LDSW bit is loaded into the device. This setting is used when the desired configuration can be achieved by sending a single command, or when the switches and/or GPO pin are not required to be updated at the same time. When the desired configuration requires multiple commands with a simultaneous update, the LDSW bit should be set low while loading the commands, except for the last one when the LDSW bit should be set high. Once the last command with LDSW = high is loaded, the device simultaneously executes all commands received since the last update.

## POWER ON/SOFTWARE RESET

The ADG792A/ADG792G have a software reset function implemented by the RESETB bit from the second data byte loaded into the device during a write operation. For normal

operation of the multiplexers and GPO pins, this bit should be set high. When RESETB = low, or after power-up, the switches from all multiplexers are turned off (open) and the GPO pins are set to low.

## READ OPERATION

When reading data back from the ADG792A/ADG792G, the user must begin with an address byte and R/W bit. The switch then acknowledges that it is prepared to transmit data by pulling SDA low. Following this acknowledgement, the ADG792A/ADG792G transmit two bytes on the next clock edges. These bytes contain the status of the switches, and each byte is followed by an acknowledge bit. A logic high bit represents a switch in the on (close) state, and a low represents a switch in the off (open) state. For the GPO pin (ADG792G only), the bit represents the logic value of the pin. Figure 32 illustrates the entire read sequence.

The bit maps accompanying Figure 32 show the relationship between the elements of the ADG792A and ADG792G (that is, the switches and GPO pins) and the bits that represent their status after a completed read operation.

### Bit Map ADG792A

RB15	RB14	RB13	RB12	RB11	RB10	RB9	RB8	RB7	RB6	RB5	RB4	RB3	RB2	RB1	RB0
S1A/D1	S1B/D1	S1C/D1	S1D/D1	S2A/D2	S2B/D2	S2C/D2	S2D/D2	S3A/D3	S3B/D3	S3C/D3	S3D/D3				

### Bit Map ADG792G

RB15	RB14	RB13	RB12	RB11	RB10	RB9	RB8	RB7	RB6	RB5	RB4	RB3	RB2	RB1	RB0
S1A/D1	S1B/D1	S1C/D1	S1D/D1	S2A/D2	S2B/D2	S2C/D2	S2D/D2	S3A/D3	S3B/D3	S3C/D3	S3D/D3	GPO1	GPO2		

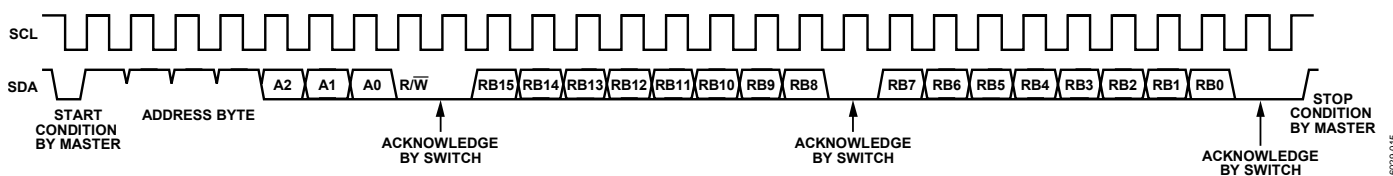


Figure 32. Read Operation

# ADG792A/ADG792G

## EVALUATION BOARD

The ADG792G evaluation kit allows designers to evaluate the high performance of the devices with a minimum of effort.

The evaluation kit includes a printed circuit board populated with the ADG792G. The evaluation board can be used to evaluate the performance of both the ADG792A and ADG792G. It interfaces to the USB port of a PC, or it can be used as a standalone evaluation board.

Software is available with the evaluation board that allows the user to easily program the ADG792G through the USB port. The software runs on any PC that has Microsoft® Windows® 2000 or Windows XP installed with a minimum screen resolution of

1200 × 768. See Figure 33 and Figure 34 for schematics of the evaluation board.

### USING THE ADG792G EVALUATION BOARD

The ADG792G evaluation kit is a test system designed to simplify the evaluation of the device. Each input/output of the part comes with a socket specifically chosen for easy audio/video evaluation. An evaluation board data sheet is also available with the evaluation board and provides full instructions for operating the evaluation board.

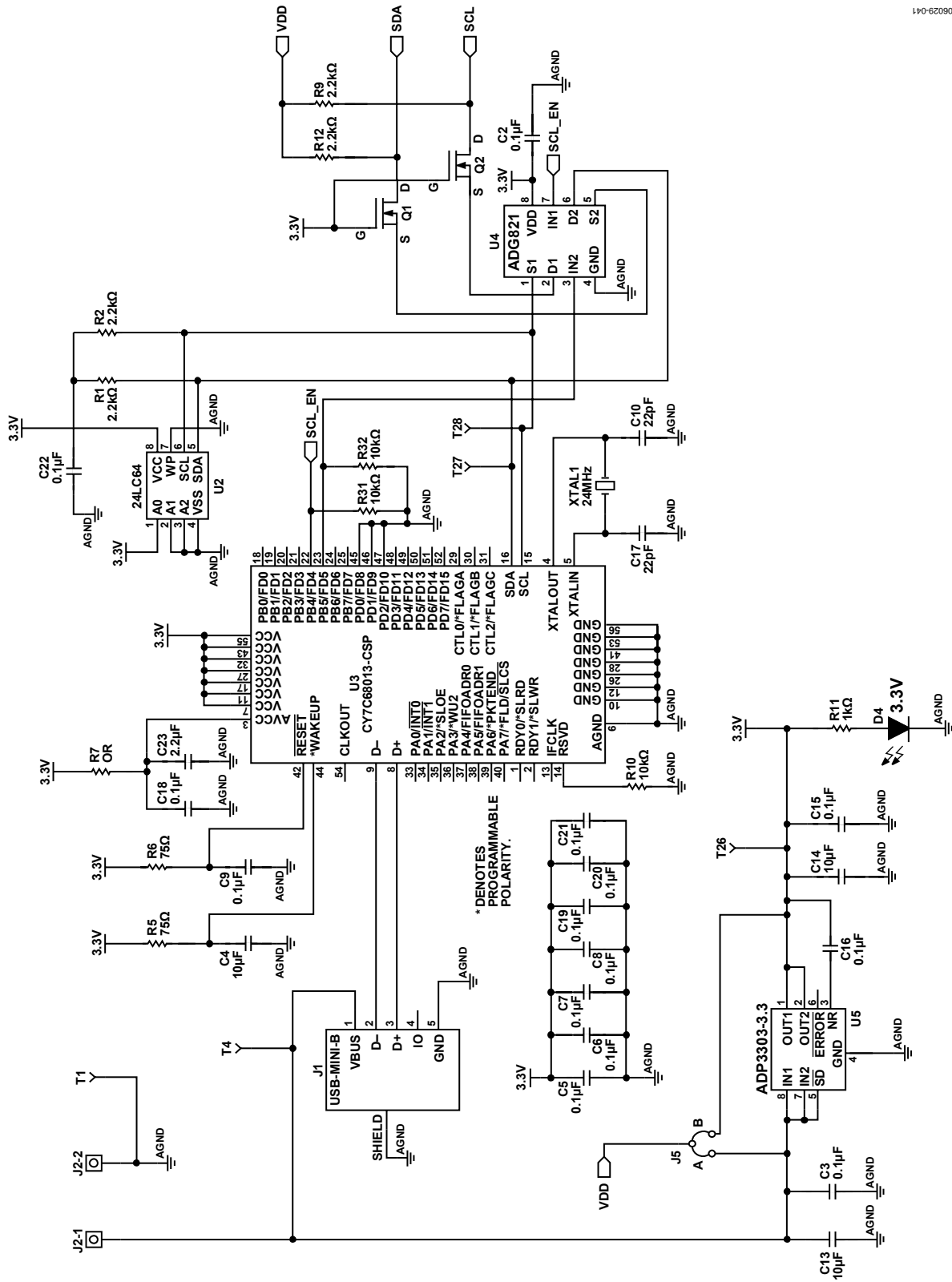


Figure 33. Eval-ADG792GEB Schematic, USB Controller Section

# ADG792A/ADG792G

06029-042

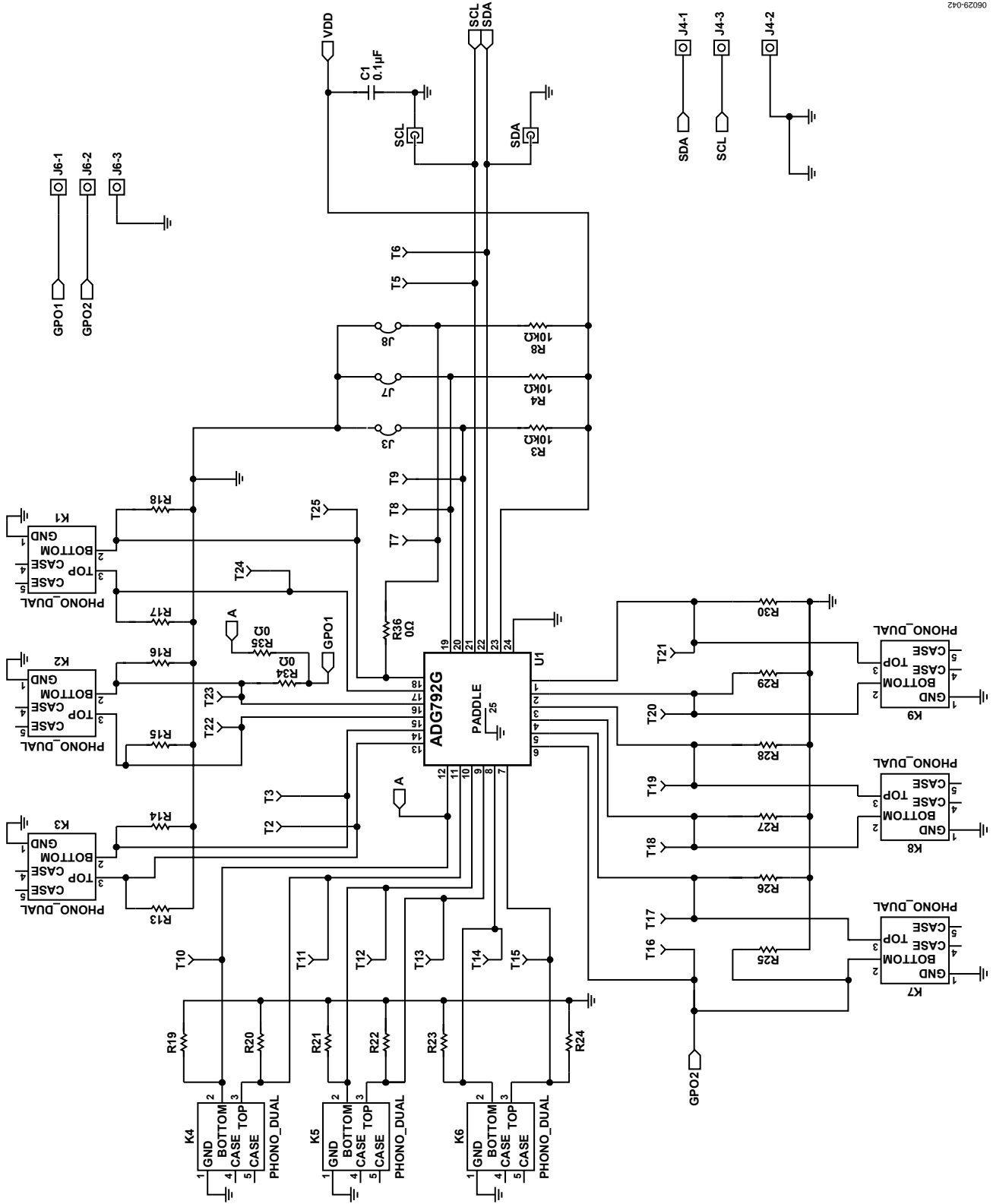
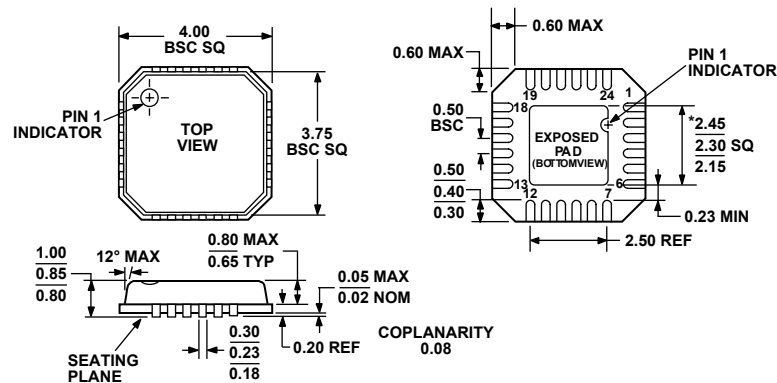


Figure 34. Eval-ADG792GEB Schematic, Chip Section

## OUTLINE DIMENSIONS



\*COMPLIANT TO JEDEC STANDARDS MO-220-VGGD-2  
EXCEPT FOR EXPOSED PAD DIMENSION

Figure 35. 24-Lead Lead Frame Chip Scale Package [LFCSP\_VQ]  
4 mm × 4 mm Body, Very Thin Quad  
(CP-24-2)  
Dimensions shown in millimeters

## ORDERING GUIDE

Model	Temperature Range	I <sup>2</sup> C Speed	Package Description	Package Option
ADG792ABCPZ-REEL <sup>1</sup>	-40°C to +85°C	100 kHz, 400 kHz	24-Lead LFCSP_VQ	CP-24-2
ADG792ABCPZ-500RL7 <sup>1</sup>	-40°C to +85°C	100 kHz, 400 kHz	24-Lead LFCSP_VQ	CP-24-2
ADG792ACCPZ-REEL <sup>1</sup>	-40°C to +85°C	100 kHz, 400 kHz, 3.4MHz	24-Lead LFCSP_VQ	CP-24-2
ADG792ACCPZ-500RL7 <sup>1</sup>	-40°C to +85°C	100 kHz, 400 kHz, 3.4MHz	24-Lead LFCSP_VQ	CP-24-2
ADG792GBCPZ-REEL <sup>1</sup>	-40°C to +85°C	100 kHz, 400 kHz	24-Lead LFCSP_VQ	CP-24-2
ADG792GBCPZ-500RL7 <sup>1</sup>	-40°C to +85°C	100 kHz, 400 kHz	24-Lead LFCSP_VQ	CP-24-2
ADG792GCCPZ-REEL <sup>1</sup>	-40°C to +85°C	100 kHz, 400 kHz, 3.4MHz	24-Lead LFCSP_VQ	CP-24-2
ADG792GCCPZ-500RL7 <sup>1</sup>	-40°C to +85°C	100 kHz, 400 kHz, 3.4MHz	24-Lead LFCSP_VQ	CP-24-2
EVAL-ADG792GEB <sup>2</sup>			Evaluation Board	

<sup>1</sup> Z = Pb-free part.

<sup>2</sup> The evaluation board is RoHS compliant.

**NOTES**

Purchase of licensed I<sup>2</sup>C components of Analog Devices or one of its sublicensed Associated Companies conveys a license for the purchaser under the Philips I<sup>2</sup>C Patent Rights to use these components in an I<sup>2</sup>C system, provided that the system conforms to the I<sup>2</sup>C Standard Specification as defined by Philips.