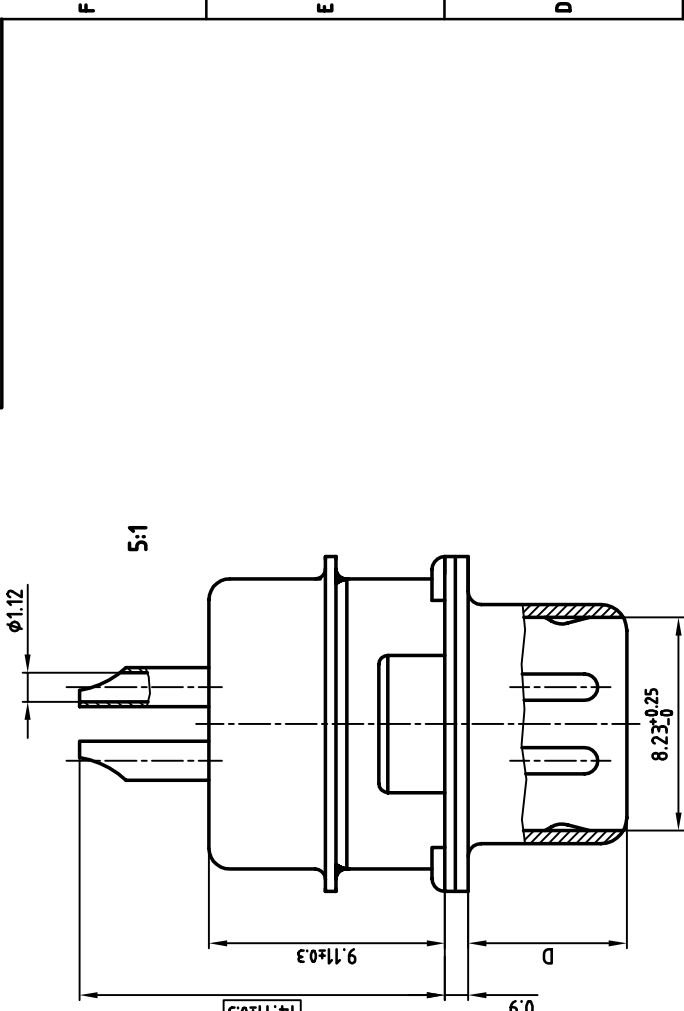


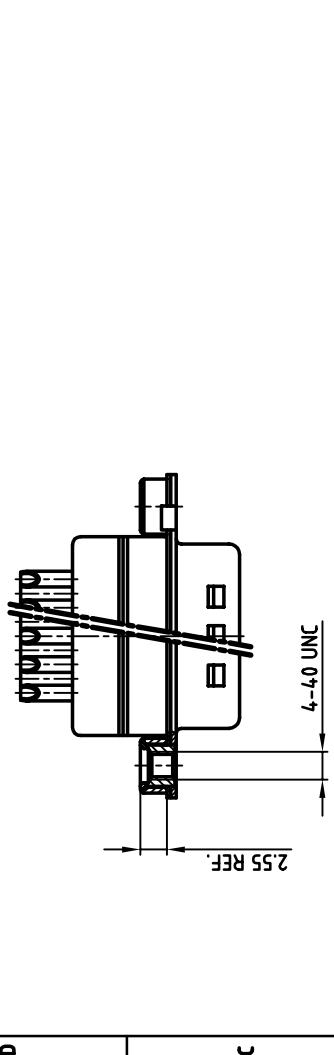
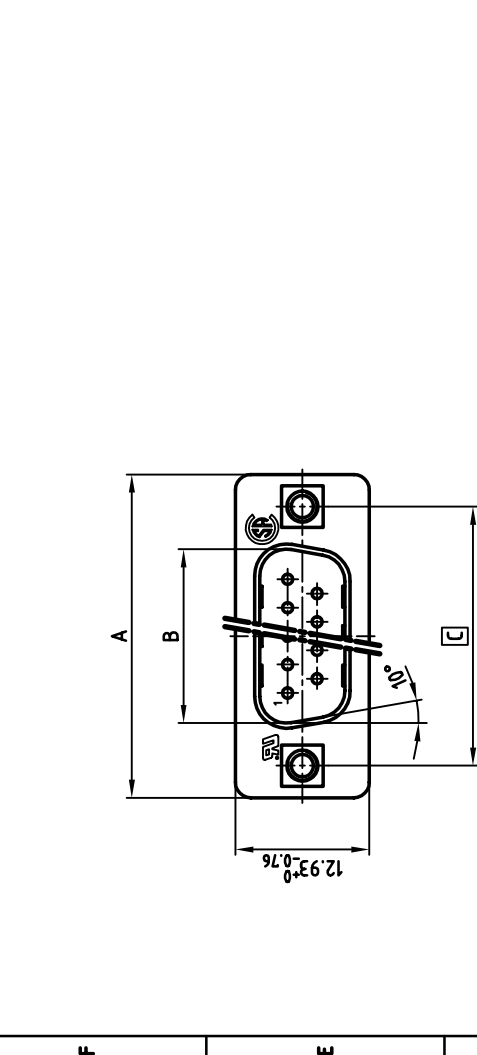
1 used for: D-SUB T FILTER



NOTES:

1. METALSHELLS: STEEL, min. 320µ" TIN
2. INSULATORS: PBT GF UL 94 V-0, BLACK
3. CONTACTS: COPPER ALLOY
4. PLATING: min. 8µ" HARD GOLD OVER min. 50µ" NICKEL
SOLDER CUP ACCEPTS CABLE AWG 20
5. THREADED INSERT: COPPER ALLOY; min. 200µ" TIN over 80µ" NICKEL
6. COLLAR: COPPER ALLOY; min. 200µ" TIN over 80µ" NICKEL
7. CAPACITANCE: 2 x 1300pF ±20%
8. DIELECTRIC WITHSTANDING VOLTAGE: 424 VDC
9. MAXIMUM TORQUE VALUE FOR THREAD: 6" LBS
10. = CRITICAL DIMENSION: SPC

CONEC CORPORATION BRAMPTON, ONTARIO		tolerance		scale:	2:1 (5:1)
DO NOT ALTER CAD DRAWING BY HAND OWNERSHIP AND COPYRIGHT OF CONEC GMBH WRITTEN PERMISSION BE PASSED ON TO A THIRD PARTY WITHOUT REPRODUCED IN ANY WAY, AND MAY NOT		date	name	material:	SEE NOTES
rev.	description	date	name	title:	D-SUB T FILTER MALE
					SOLDER CUP 9-37pos. with threaded insert
				dwg no:	AutoCAD 2000 DIN-A 3 sh: 1/1
				part no:	24K1A103A SEE TABLE



No. of pos.	A ^{-0.76}	B ^{+0.25}	C	D ^{-0.3}	Part No.
9	31.19	16.79	25.00 ^{+0.12} _{-0.13}	6.12	241A29360X
15	39.52	25.12	33.30 ^{+0.15} _{-0.1}	6.12	241A29370X
25	53.42	38.84	47.04 ^{+0.13}	5.99	241A29380X
37	69.70	55.30	63.50 ^{+0.13}	5.99	241A29390X

1 2 3 4 5 6 7 8